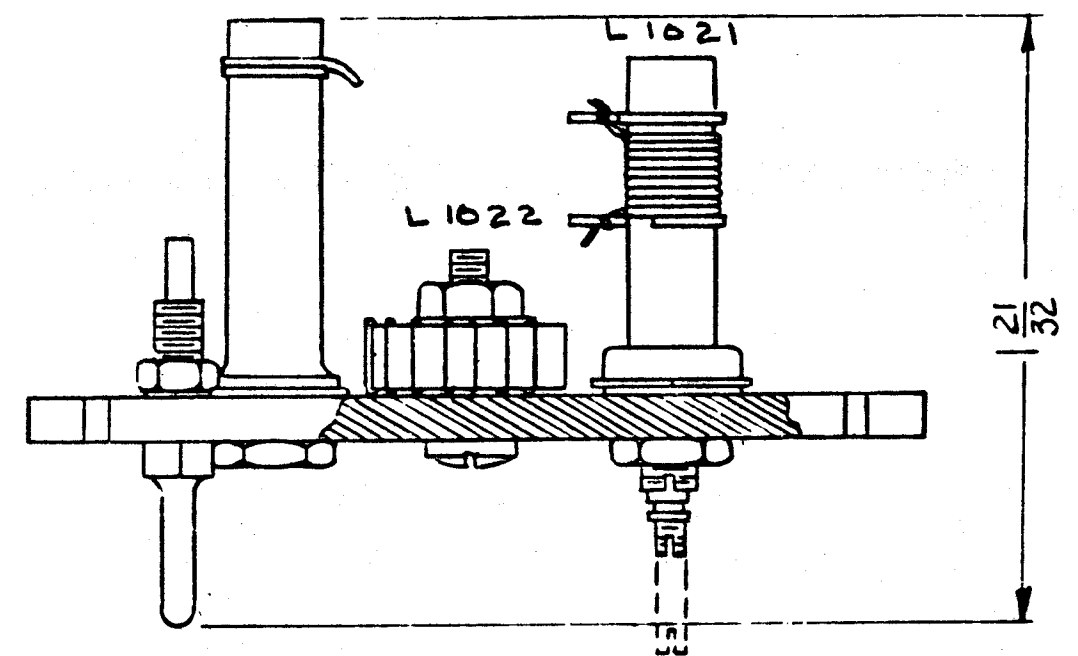
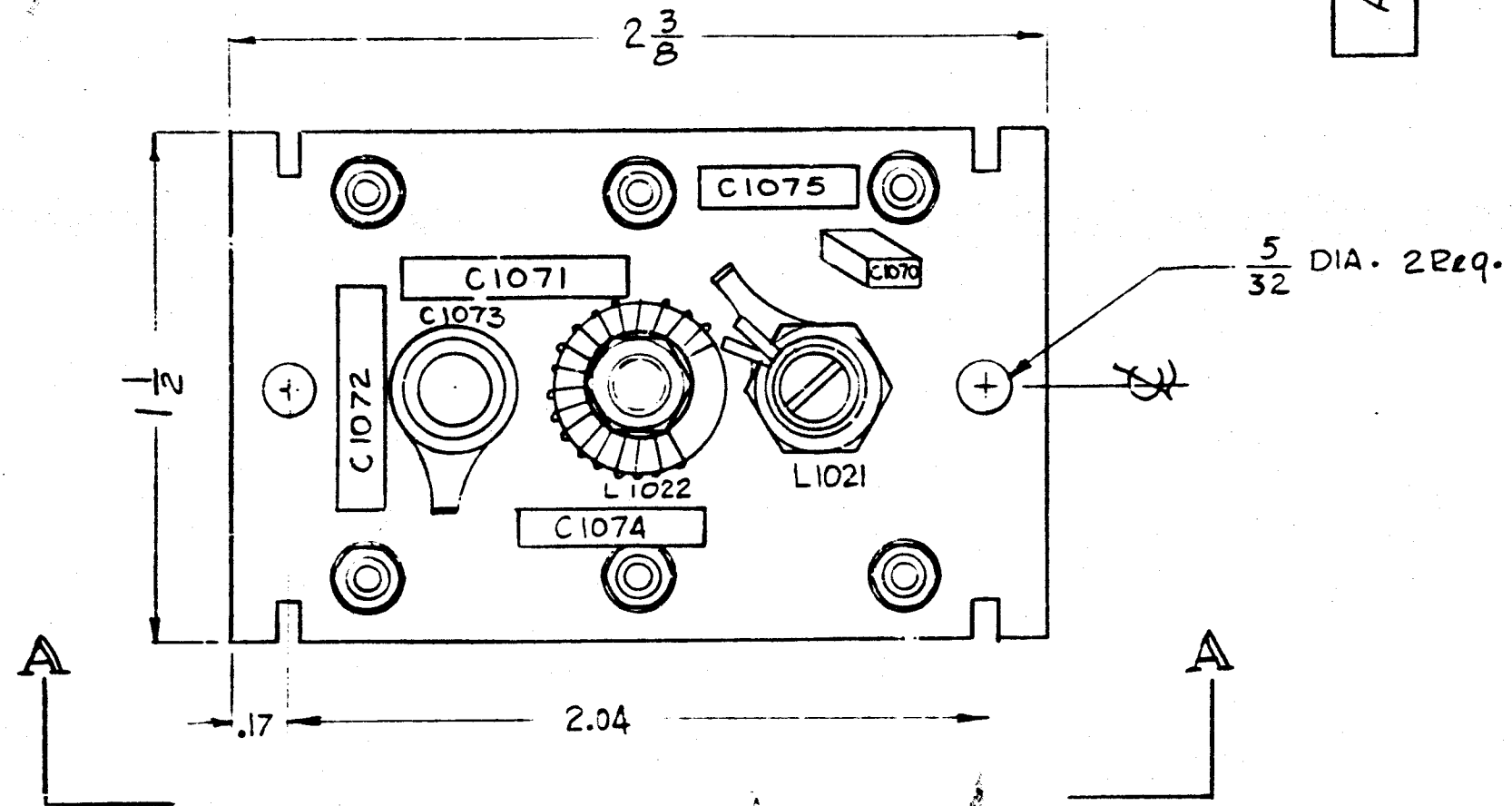


AX-370

REVISIONS					
SYM	DESCRIPTION	DATE	E.M.N. NO.	DRAFT	CHKD APPD



NOTED TO PERSONS RECEIVING THIS DRAWING

THE TECHNICAL MATERIEL CORPORATION claims copyright in the material disclosed hereon. This drawing is issued in confidence for engineering information only and may not be reproduced or used in manufacture anything shown hereon without permission from THE TECHNICAL MATERIEL CORPORATION to the user. This drawing is loaned for mutual assistance and is subject to recall at any time.

Property of:  
THE TECHNICAL MATERIEL CORPORATION  
MAMARONECK, NEW YORK

NOTES

1	HFR-1/T	
QTY./UNIT	MODEL USED ON	ASSY. NO.
DO NOT SCALE	CODE	4A-2364
THE CONTENTS OF THIS DRAWING ARE THE EXCLUSIVE PROPERTY OF THE TECHNICAL MATERIEL CORP. ITS UNAUTHORIZED USE OR REPRODUCTION IN WHOLE OR IN PART IS STRICTLY FORBIDDEN.		

REQ'D.	ITEM	PART NUMBER	DESCRIPTION	SYMBOL
<b>LIST OF MATERIAL</b>				
MATERIAL		<b>THE TECHNICAL MATERIEL CORP. MAMARONECK, NEW YORK</b>		
FINISH		<b>TITLE OSC. BOARD ASS'Y, BAND #2</b>		
UNLESS OTHERWISE SPECIFIED DIMENSIONS ARE IN INCHES AND INCLUDE CHEMICALLY APPLIED OR PLATED FINISHES		DRAWN G.D.L.	DATE 12-1-62	FINAL APPROVAL <i>BP</i>
DECIMALS .X ± .05 .XX ± .01 .XXX ± .005		CHECKED <i>[Signature]</i>	DATE	DATE
FRACTIONS ± 1/64 ANGLES ± 9° 30'		ELECT. DES. J. ANGER	DATE 12/4/62	AX-370
TOLERANCES		MECH. DES. <i>[Signature]</i>	DATE 12/4/62	SHEET
				REV. LTR.