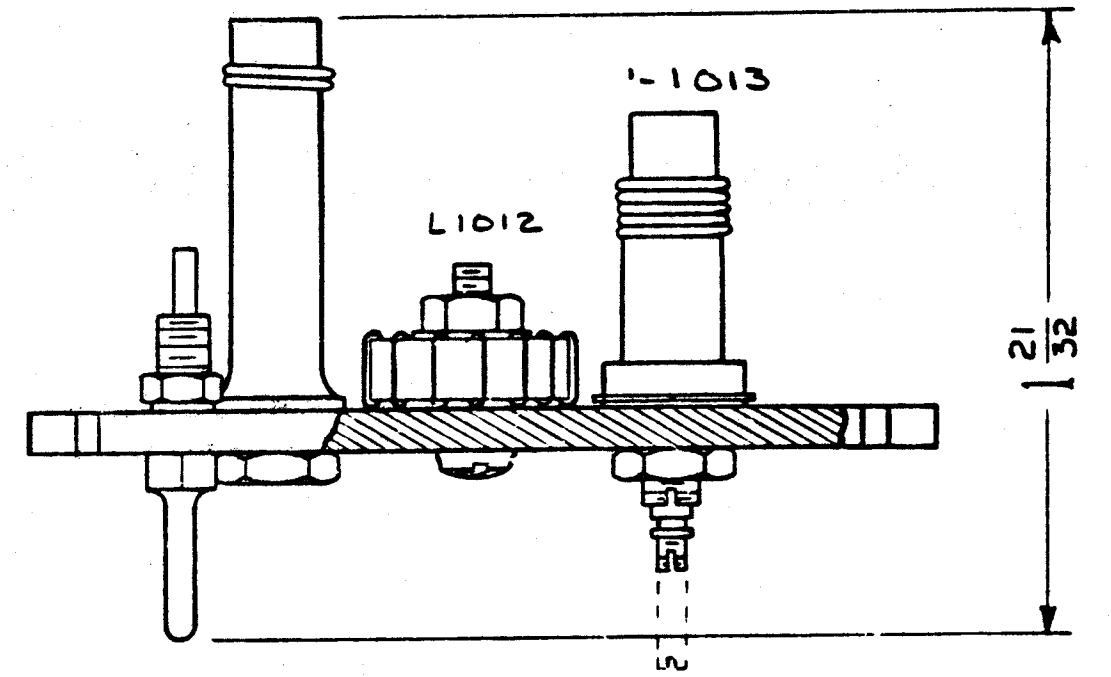
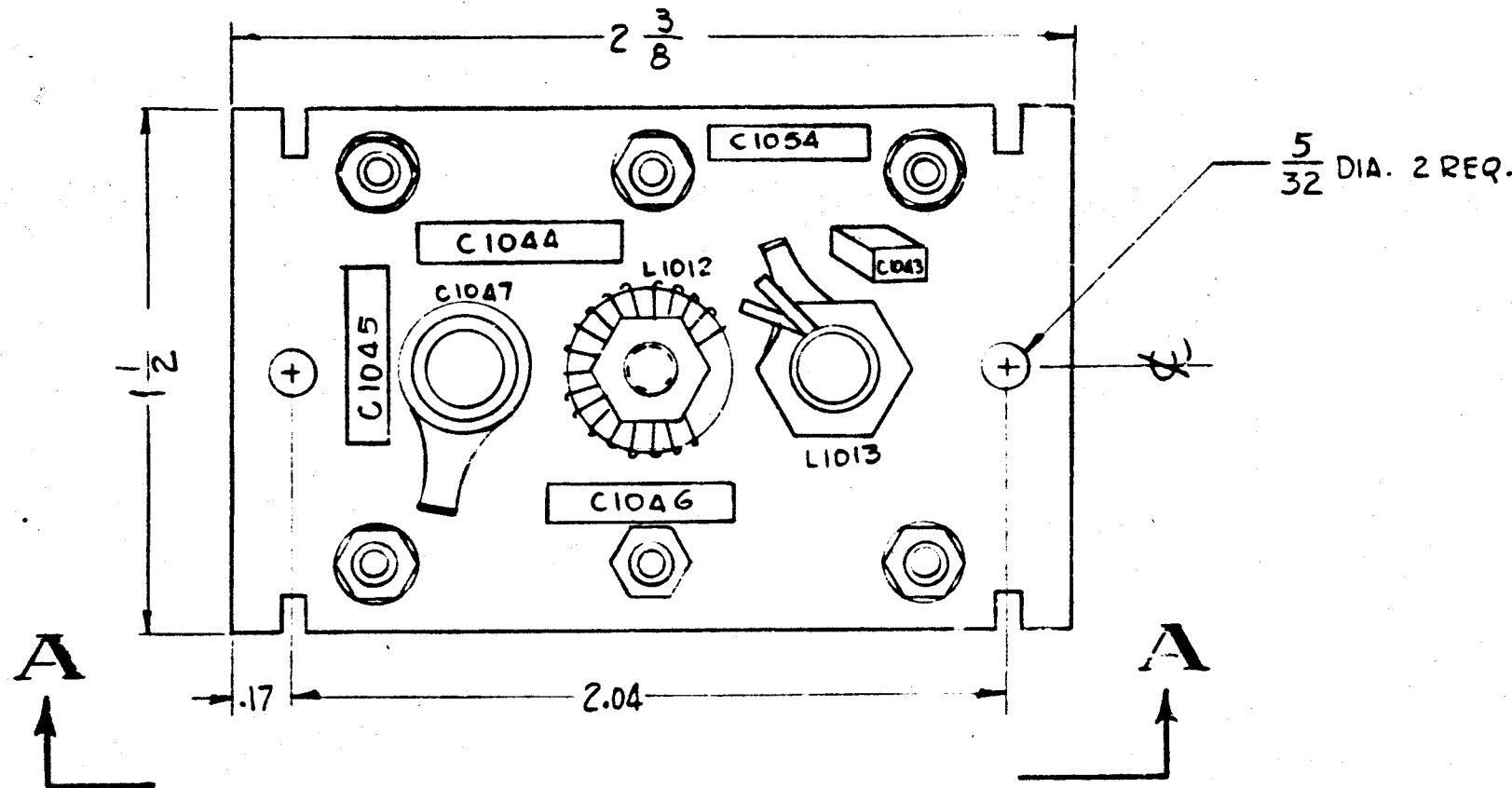


AX-369



VIEW A-A

**NOT TO PERSONS RECEIVING THIS DRAWING**

THE TECHNICAL MATERIEL CORPORATION claims copyright in the material disclosed hereon. This drawing is issued in confidence for engineering purposes only and may not be reproduced or used to manufacture anything shown hereon without permission from THE TECHNICAL MATERIEL CORPORATION. This drawing is loaned for mutual assistance and is subject to recall at any time.

Property of:  
**THE TECHNICAL MATERIEL CORPORATION**  
 MAMARONECK, NEW YORK

**NOTES**

1	HER-IT	
CITY/UNIT	MODEL USED/CM	ASSY. NO.
SCALE	CODE	4A-2363
DO NOT SCALE		
THE CONTENTS OF THIS DRAWING ARE THE EXCLUSIVE PROPERTY OF THE TECHNICAL MATERIEL CORP. ITS UNAUTHORIZED USE OR REPRODUCTION IN WHOLE OR IN PART IS STRICTLY FORBIDDEN.		

REQ'D.	ITEM	PART NUMBER	DESCRIPTION	SYMBOL
<b>LIST OF MATERIAL</b>				
MATERIAL		<b>THE TECHNICAL MATERIEL CORP.</b> MAMARONECK, NEW YORK		
FINISH		TITLE <b>C3C. BOARD ASS'Y, BAND*1</b>		
UNLESS OTHERWISE SPECIFIED DIMENSIONS ARE IN INCHES AND INCLUDE CHEMICALLY APPLIED OR PLATED FINISHES		DRAWN G.D.L.	DATE 12-1-62	FINAL APPROVAL BP
DECIMALS .X ± .02 .XX ± .01 .XXX ± .005		CHECKED J.L.	DATE	DATE
FRACTIONS ± 1/64 ANGLES ± 0° 30'		ELECT. DES. J. ANGER	DATE 12/4/62	DATE
TOLERANCES		MECH. DES. J.L.	DATE 12/4/62	DATE
				SHEET <b>AX-369</b>
				REV. LTR.