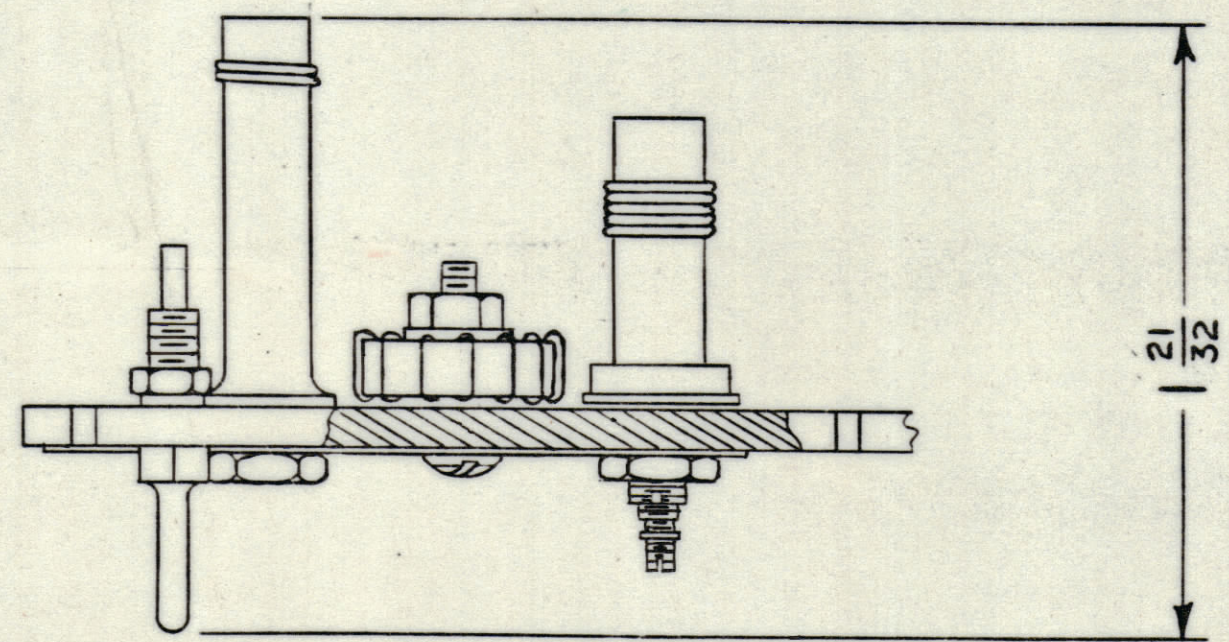
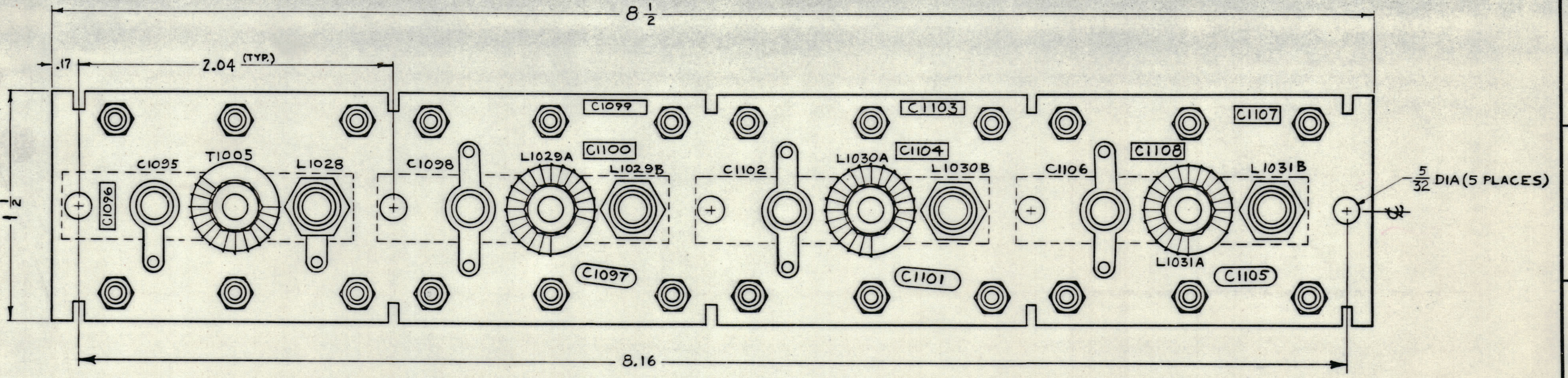


REVISIONS							
ZONE	SYM	DESCRIPTION	DATE	E.M.N. NO.	DRAFT	CHKD	APPD



TYPICAL

THE TECHNICAL MATERIEL CORPORATION claims  
 property in the material disclosed herein.  
 This drawing is issued for engineering  
 information only and may not be reproduced or used  
 to manufacture any thing shown hereon without per-  
 mission from THE TECHNICAL MATERIEL CORPORA-  
 TION to the user. This drawing is loaned for mutual  
 assistance and is subject to recall at any time.

Property of:  
**THE TECHNICAL MATERIEL CORPORATION**  
 MAMARONECK, NEW YORK

1	HFR-1/T	
QTY./UNIT	MODEL USED ON	ASSY. NO.
SCALE	CODE	8A-2374

THE CONTENTS OF THIS DRAWING ARE THE EXCLUSIVE PROPERTY  
 OF THE TECHNICAL MATERIEL CORP. ITS UNAUTHORIZED USE OR  
 REPRODUCTION IN WHOLE OR IN PART IS STRICTLY FORBIDDEN.

NOTES

REQ'D.	ITEM	PART NUMBER	DESCRIPTION	SYMBOL
LIST OF MATERIAL				
MATERIAL		THE TECHNICAL MATERIEL CORP. MAMARONECK, NEW YORK		
FINISH		TITLE		
		R.F. BOARD ASSEMBLY, BAND*4		
DRAWN		DATE	FINAL APPROVAL	DATE
CHECKED		12-1-62	BP	
ELECT. DES.		DATE	AX-364	
MECH. DES.		12/2/62		
DECIMALS		FRACTIONS	SHEET	
.X ± .08		± 1/64	REV. L.T.	
.XX ± .01		TOLERANCES		
.XXX ± .008		ANGLES		
		± 0° 30'		

AX-364