

THE CONTENTS OF THIS DRAWING ARE THE EXCLUSIVE PROPERTY OF THE TECHNICAL MATERIEL CORP. ITS UNAUTHORIZED USE OR REPRODUCTION IN WHOLE OR IN PART IS STRICTLY FORBIDDEN.

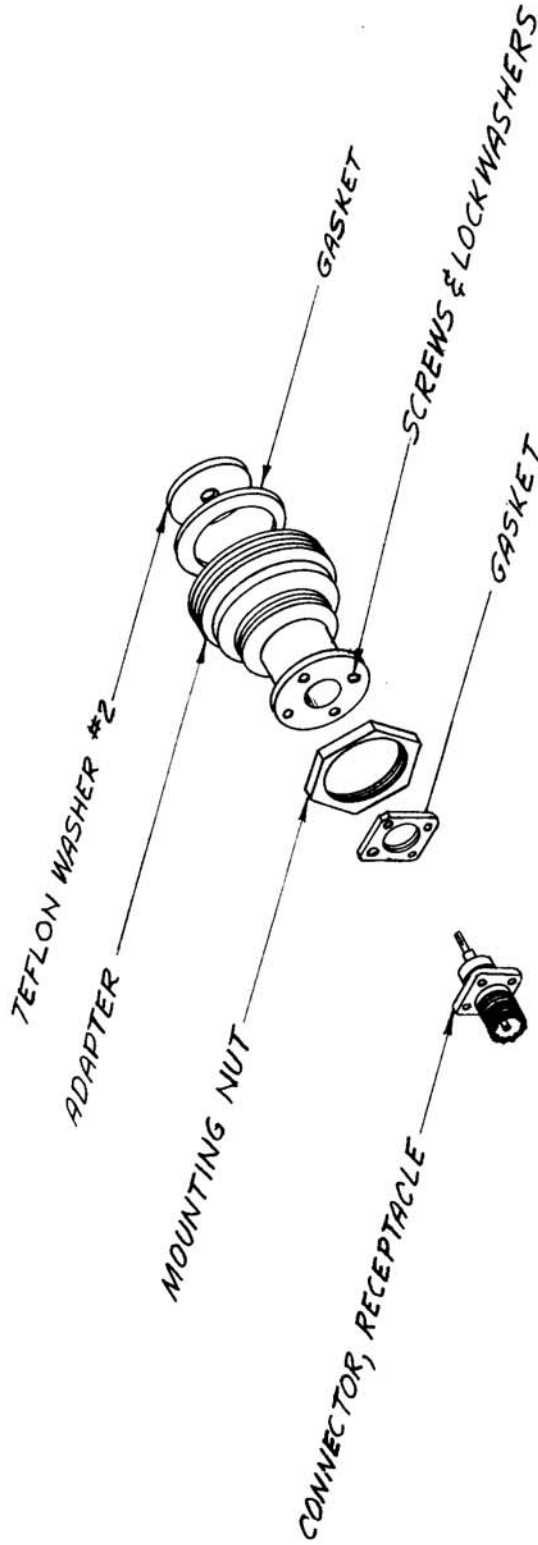
REQ. PER UNIT
1

MODEL
ES TO TCA

USED ON
ASSY. NO.
A-2211

DATE
10-11-61

AX-298



REQ. ITEM	PART NO.	DESCRIPTION	SYMBOL
		THE TECHNICAL MATERIEL CORP. MAMARONECK, NEW YORK	
		ADAPTOR KIT	
		(ES TO TCA)	
		W.S. 10-11-61	
		DRAWN	
		CHECKED	
		PHYS. APPROVAL	
		ELEC. DES. APP.	
		MECH. DES. APP.	
		FINISH & SPEC. NO.	
		STOCK SIZE	
		MATERIAL	
		TYPE & TEMPER	
		HEAT TREAT. SPEC.	
		SCALE: ~ 1 A-2211	
		DATE	
		CH. NO.	
		DRAFTS	
		CHECKER	
		ENG. APP.	
		UNLESS OTHERWISE SPECIFIED: DIMENSIONS ARE IN INCHES TOLERANCES ON FRAC. ± 1/64 DEC. ± .005 ANGLES ± 1/2°	
		MAXIMUM ALLOWABLE TOLERANCES HAVE BEEN DETERMINED AND ANY DEVIATIONS WILL BE CAUSE FOR REJECTION. REMOVE ALL BURRS AND SHARP EDGES	
		AX-298	