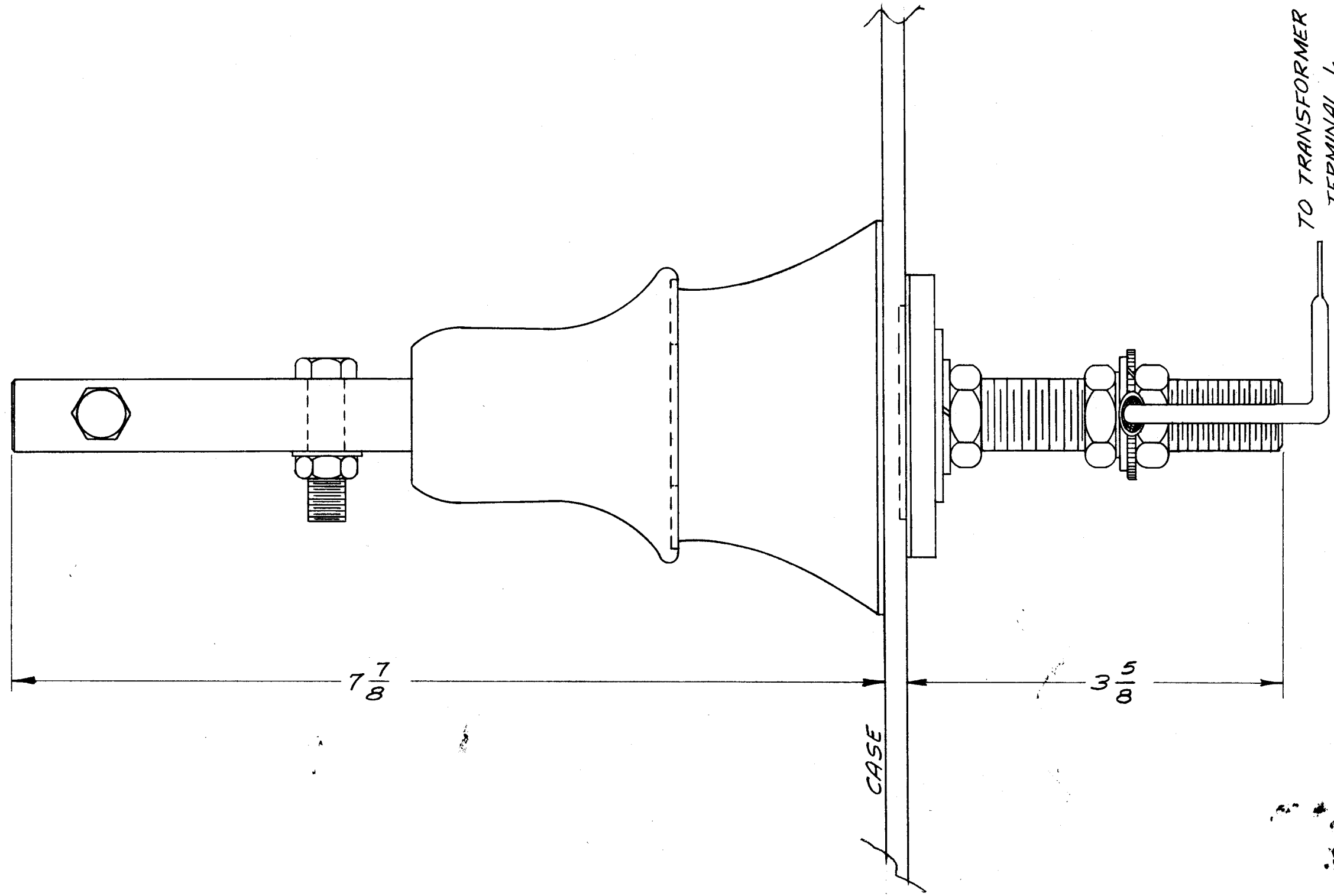


AX-290

ANTENNA



SYM	DESCRIPTION	DATE	CH. NO.	DRAFTS	CHECKER	ENG. APP.
-----	-------------	------	---------	--------	---------	-----------

UNLESS OTHERWISE SPECIFIED:
 DIMENSIONS ARE IN INCHES
 TOLERANCES ON FRACTIONS $\pm 1/64$ DECIMALS $\pm .005$ ANGLES $\pm 1/2^\circ$

SCALE: 1:1 8A-2169
 MAXIMUM ALLOWABLE TOLERANCES HAVE BEEN DETERMINED AND ANY DEVIATIONS WILL BE CAUSE FOR REJECTION.
 REMOVE ALL BURRS AND SHARP EDGES

1	VRA-7			2-11-63
1	VRA-6			9-28-61
1	VRA-5			9-28-61
REQ. PER UNIT	MODEL	SECTION	ASS'Y. NO.	DATE

REQ. ITEM	PART NO.	DESCRIPTION	SYMBOL
		THE TECHNICAL MATERIEL CORP. MAMARONECK, NEW YORK	
STOCK SIZE		INSULATOR & MAST SUPPORT ASS'Y	
MATERIAL		DETAIL	
TYPE & TEMPER	HEAT TREAT. SPEC.	DRAWN	CHECKER
FINISH & SPEC. NO.		ELC. DES. APP.	MECH. DES. APP.

AX-290