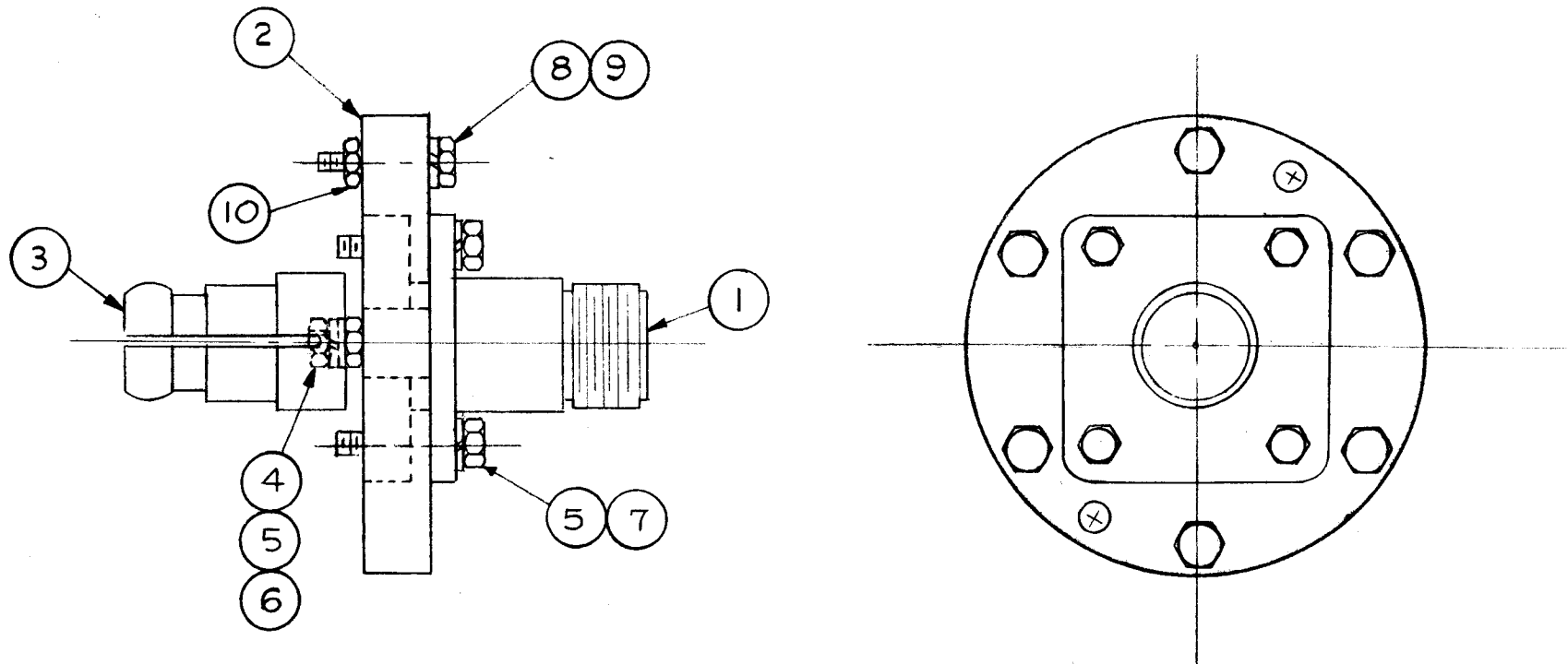


AX-277 B

THE CONTENTS OF THIS DRAWING ARE THE EXCLUSIVE PROPERTY OF THE TECHNICAL MATERIEL CORP. ITS UNAUTHORIZED USE OR REPRODUCTION IN WHOLE OR IN PART IS STRICTLY FORBIDDEN.



TMC PART NO.	ITEM II
AX-277-1	NONE
AX-277-2	UG154 /U
AX-277-3	PL-197

1	11	SEE CHART	CONNECTOR, PLUG, LOOSE ITEM
6	10	NTH3118BN16	NUT, HEX
6	9	LWS31MRN	LOCKWASHER, SPLIT
6	8	SCHH3118BN32	BOLT, MACHINE
4	7	SCHH2520BN8	BOLT, MACHINE
1	6	NTH2528BN14	NUT, HEX
5	5	LWS25MRN	LOCKWASHER, SPLIT
1	4	FW25HBN	WASHER, FLAT
1	3	PO-203-70	CONNECTOR, INNER TO OHM
1	2	PM-722	ADAPTER 3/8 EFA
1	1	JJ-229	CONNECTOR, RECEPTACLE LC

REQ. ITEM	PART NO.	DESCRIPTION	SYMBOL
STOCK SIZE		THE TECHNICAL MATERIEL CORP. MAMARONECK, NEW YORK	
MATERIAL		ASSEMBLY ADAPTER LC 70 OHM	
TYPE & TEMPER	HEAT TREAT. SPEC.	DRAWN	CHECKED
		<i>h. h.</i>	<i>RUZZO</i>
FINISH & SPEC. NO.		ELEC. DES. APP.	MECH. DES. APP.
		<i>[Signature]</i>	<i>[Signature]</i>

SYM	DESCRIPTION	DATE	CH. NO.	DRAFTS	CHECKER	ENG. APP.
B	IT. II & TMC P/N CHART ADD.	10.12.64	12585	<i>DB</i>	<i>[Signature]</i>	<i>[Signature]</i>
A	REDRAWN & REVISED FROM 4 SIZE	12-12-61	5961	<i>E.T.</i>	<i>[Signature]</i>	<i>[Signature]</i>

UNLESS OTHERWISE SPECIFIED:  
DIMENSIONS ARE IN INCHES  
TOLERANCES ON FRACTIONS ± 1/64 DECIMALS ± .005 ANGLES ± 1/2°

SCALE:  
MAXIMUM ALLOWABLE TOLERANCES HAVE BEEN DETERMINED AND ANY DEVIATIONS WILL BE CAUSE FOR REJECTION.  
REMOVE ALL BURRS AND SHARP EDGES

REQ. PER UNIT	MODEL	SECTION	ASS'Y. NO.	DATE
				12-6-61

USED ON

AX-277 B