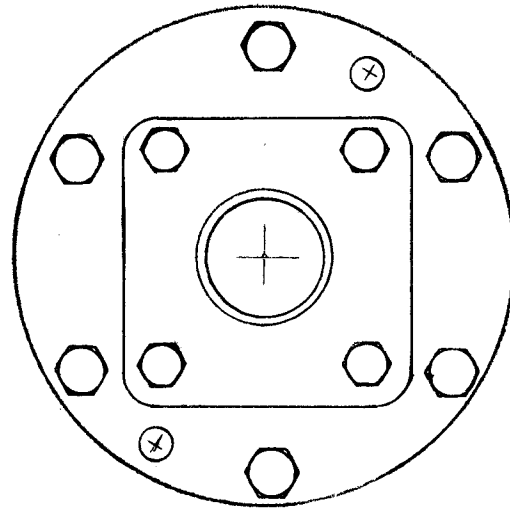
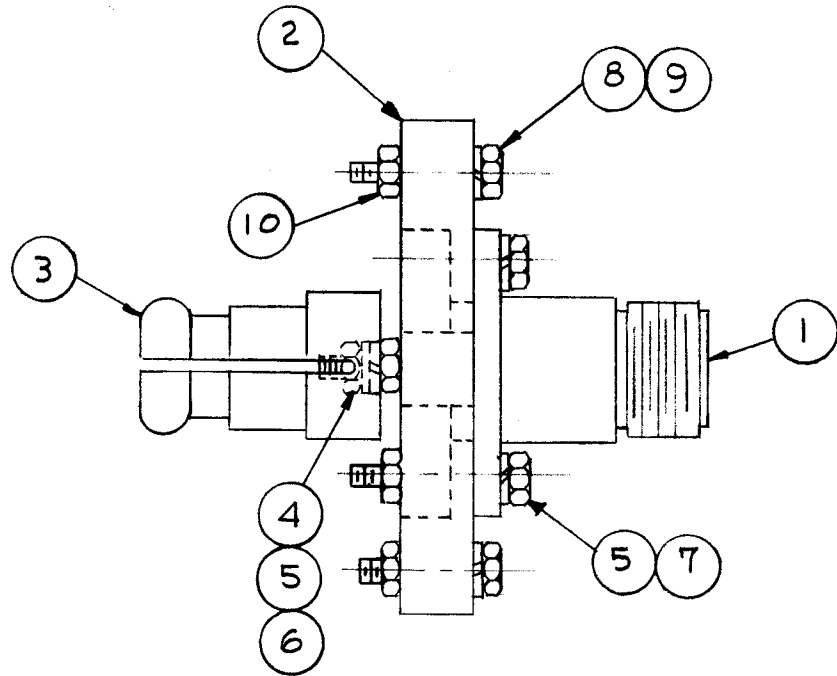


AX-276 A

THE CONTENTS OF THIS DRAWING ARE THE EXCLUSIVE PROPERTY OF THE TECHNICAL MATERIEL CORP. ITS UNAUTHORIZED USE OR REPRODUCTION IN WHOLE OR IN PART IS STRICTLY FORBIDDEN.



TMC PART #	ITEM II
AX-276-1	NONE
AX-276-2	PL-214
AX-276-3	PL-197

1	11	SEE CHART	CONNECTOR, PLUG, LOOSE IT.	
6	10	NTH3118BN16	NUT, HEX	
6	9	LWS31MRN	LOCKWASHER, SPLIT	
6	8	SCHH3118BN32	BOLT, MACHINE	
4	7	SCHH2520BN8	BOLT, MACHINE	
1	6	NTH2528BN14	NUT, HEX	
5	5	LWS25MRN	LOCKWASHER, SPLIT	
1	4	FW25HBN	WASHER, FLAT	
1	3	PO-203-50	CONNECTOR, INNER, 50 OHM	
1	2	PM-722	ADAPTER 3 1/8 EIA	
1	1	JJ-229	CONNECTOR, RECEPTACLE, LC	

REQ.	ITEM	PART NO.	DESCRIPTION	SYMBOL
			THE TECHNICAL MATERIEL CORP.	
STOCK SIZE			MAMARONECK, NEW YORK	
			ASSEMBLY, ADAPTER, LC	
			50 OHM	
MATERIAL				
		H. H.	RUIZZO	
TYPE & TEMPER		HEAT TREAT. SPEC.	DRAWN	CHECKED
				FINAL APPROVAL
FINISH & SPEC. NO.		ELEC. DES. APP.	MECH. DES. APP.	AX-276 A

A	IT. II & TMC P/N CHART ADD.	10.12.61	12585	HB			
SYM	DESCRIPTION	DATE	CH. NO.	DRAFTS	CHECKER	ENG. APP.	
UNLESS OTHERWISE SPECIFIED:		SCALE:					
DIMENSIONS ARE IN INCHES		MAXIMUM ALLOWABLE TOLERANCES HAVE BEEN DETERMINED AND ANY DEVIATIONS WILL BE CAUSE FOR REJECTION.					
TOLERANCES ON FRACTIONS ± 1/64 DECIMALS ± .005 ANGLES ± 1/20		REMOVE ALL BURRS AND SHARP EDGES					
		REQ. PER UNIT	MODEL	SECTION	ASS'Y. NO.	DATE	
		USED ON					