

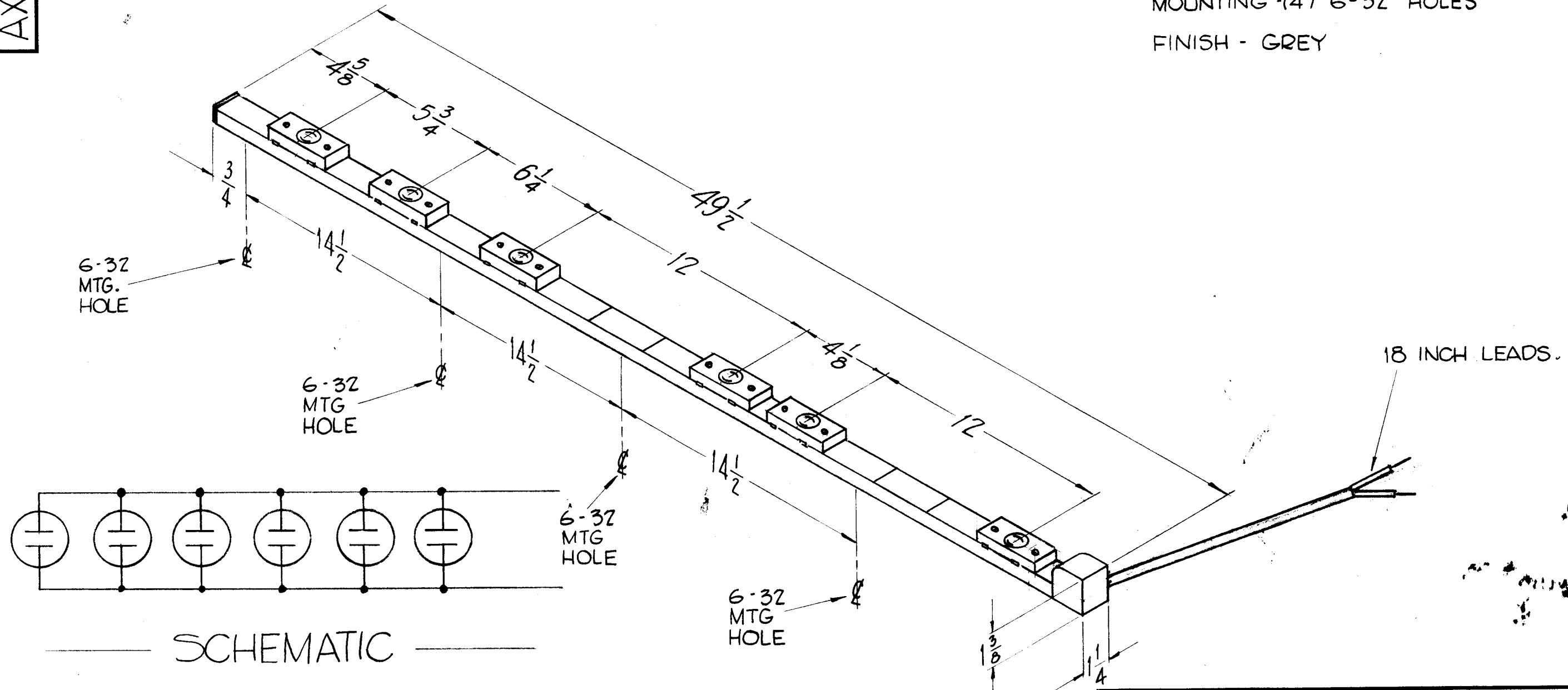
AX-269

SPECIFICATIONS

CONSISTS OF SIX (6) FEMALE TWISTLOCK RECEPTACLES, WIRED IN PARALLEL.

MOUNTING - (4) 6-32 HOLES

FINISH - GREY



SCHMATIC

SYM	DESCRIPTION	DATE	CH. NO.	DRAFTS	CHECKER	ENG. APP.
UNLESS OTHERWISE SPECIFIED:						
DIMENSIONS ARE IN INCHES						
TOLERANCES ON FRACTIONS ± 1/64 DECIMALS ± .005 ANGLES ± 1/2°						
SCALE: 2A-2103 (Do Not Scale)						
MAXIMUM ALLOWABLE TOLERANCES HAVE BEEN DETERMINED AND ANY DEVIATIONS WILL BE CAUSE FOR REJECTION. REMOVE ALL BURRS AND SHARP EDGES						

REQ. PER UNIT	MODEL	SECTION	ASS'Y. NO.	DATE
2	SYM-1023	CE1	A-2103	2-15-61
USED ON				

REQ. ITEM	PART NO.	DESCRIPTION	SYMBOL
		THE TECHNICAL MATERIEL CORP. MAMARONECK, NEW YORK	
		POWER STRIP, AC	
MATERIAL			
TYPE & TEMPER		HEAT TREAT. SPEC.	
DRAWN		CHECKER	FINAL APPROVAL
FINISH & SPEC. NO.		ELEC. DES. APP.	MECH. DES. APP.