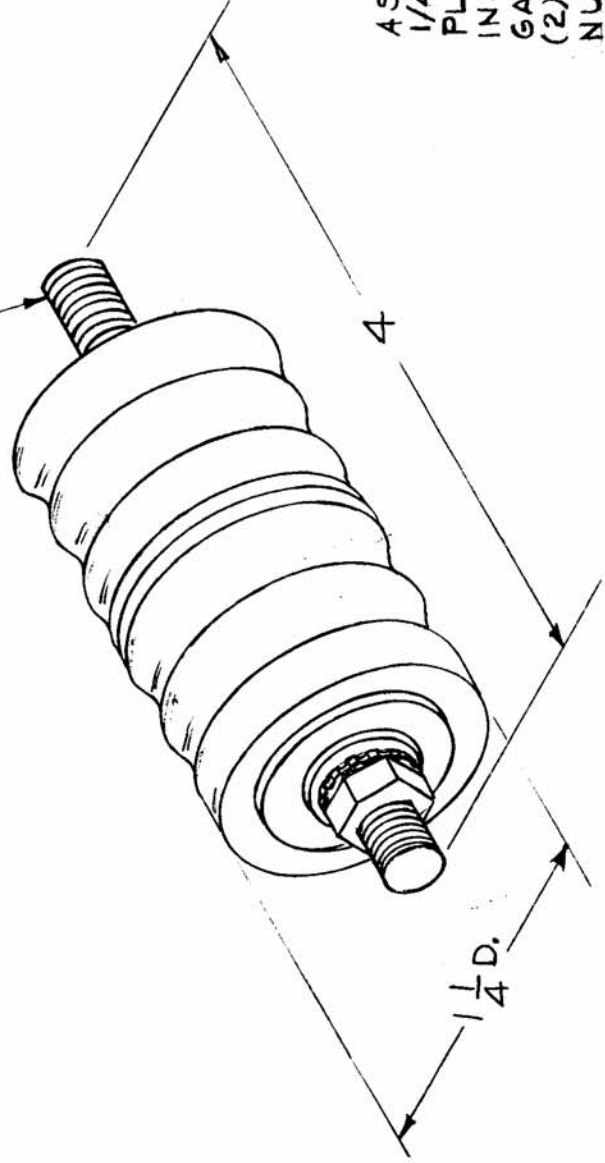


REQ. PER UNIT 3	MODEL AX-186	USED ON	
		ASS'Y. NO.	DATE
			6-23-61
		AX-261	

1/4 - 20 Thds.



ASSEMBLY CONSISTS OF
 1/4-20 THD. BRASS, NICKEL
 PLATED ROD WITH STEATITE
 INSULATORS (2), NEOPRENE
 GASKETS (2), FIBER WASHERS
 (2), FLAT WASHERS (2), HEX.
 NUTS (2), EXT. LOCKWASHERS (2)

REQ. ITEM	PART NO.	DESCRIPTION	SYMBOL
		THE TECHNICAL MATERIEL CORP.	
		MAMARONECK, NEW YORK	
		FEEDTHRU . INSULATED	
ISSUE ITEM	CHANGED FROM	DATE	CH. NO.
TOLERANCES			
SCALE: 1A-3024			
MAXIMUM ALLOWABLE TOLERANCES HAVE BEEN DETERMINED AND ANY DEVIATIONS WILL BE CAUSE FOR REJECTION. REMOVE ALL BURRS AND SHARP EDGES			
DEC. DIM. ±			
FRAC. DIM. ±			
ANGULAR DIM. ±			
		DRAWN	CHECKED
		<i>DeLuna</i>	<i>J.W.S.</i>
			FINAL APPROVAL
			AX-261
		FINISH & SPEC. NO.	ELEC. DES. APP. MECH. DES. APP.