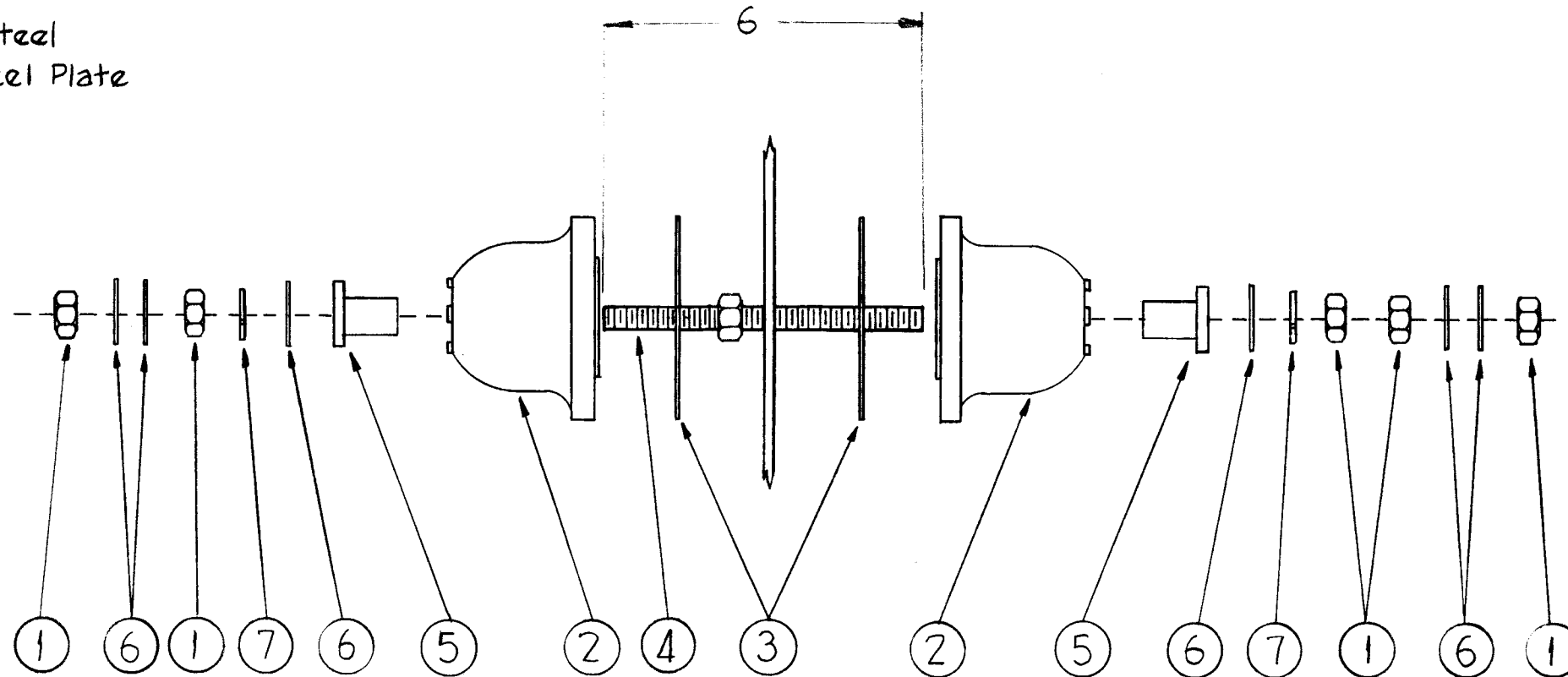


AX-260

NOTE ~ ITEM 1 - Brass, Nickel Plate
 ITEM 2 - Mykroy
 ITEM 3 - NEOPRENE
 ITEM 4 - Brass
 ITEM 5 - Neoprene
 ITEM 6 - Stainless Steel
 ITEM 7 - Bronze, Nickel Plate



5	7	LWS25MRN	Washer, Lock	
24	6	FW25MSS	Washer, Flat	
4	5	RY-112	Gland, Modified	
2	4	A-100	Stud Ass'y.	
4	3	GA-126	Gasket	
4	2	NS-115	Cap, Insulator	
14	1	NTH2520BN14	Nut, Hex.	
REQ.	ITEM	PART NO.	DESCRIPTION	SYMBOL
			THE TECHNICAL MATERIEL CORP. MAMARONECK, NEW YORK	
			INSULATOR, FEEDTHRU	
			MATERIAL	
		TYPE & TEMPER	HEAT TREAT. SPEC.	DRAWN
				CHECKER
				FINAL APPROVAL
		FINISH & SPEC. NO.		ELEC. DES. APP.
				MECH. DES. APP.

SYM	DESCRIPTION	DATE	CH. NO.	DRAFTS	CHECKER	ENG. APP.
UNLESS OTHERWISE SPECIFIED:		SCALE: 1/2 (Do Not Scale) A-3017				
DIMENSIONS ARE IN INCHES		MAXIMUM ALLOWABLE TOLERANCES HAVE BEEN DETERMINED AND ANY DEVIATIONS WILL BE CAUSE FOR REJECTION.				
TOLERANCES ON FRACTIONS ± 1/64 DECIMALS ± .005 ANGLES ± 1/2°		REMOVE ALL BURRS AND SHARP EDGES				
		2	TRC-3500		A-1203	6-6-61
		REQ. PER UNIT	MODEL	SECTION	ASS'Y. NO.	DATE
		USED ON				