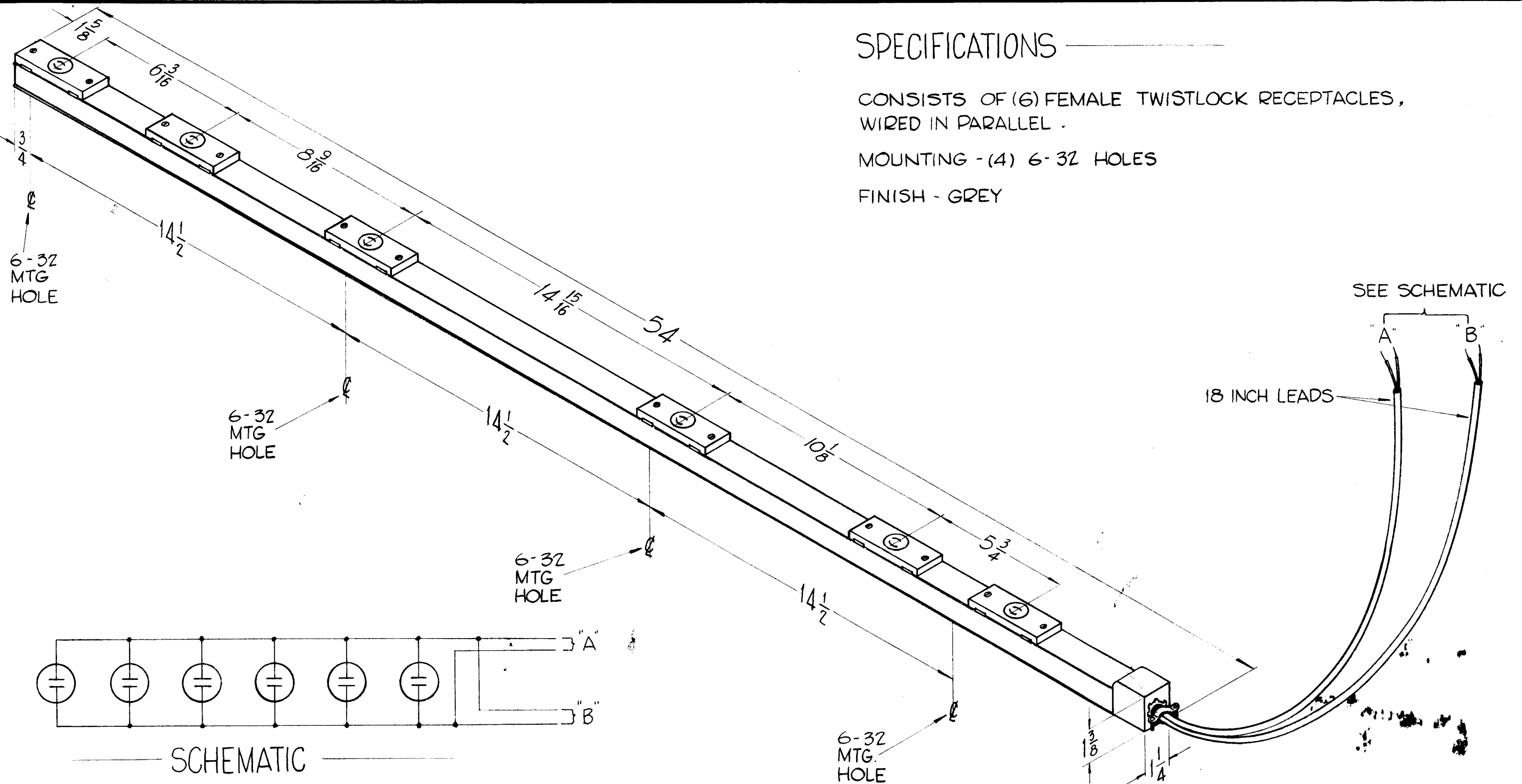


# SPECIFICATIONS

CONSISTS OF (6) FEMALE TWISTLOCK RECEPTACLES,  
WIRED IN PARALLEL.

MOUNTING - (4) 6-32 HOLES

FINISH - GREY



SCHEMATIC

SYM	DESCRIPTION	DATE	CH. NO.	DRAFTS	CHECKER	ENG. APP.
UNLESS OTHERWISE SPECIFIED: DIMENSIONS ARE IN INCHES TOLERANCES ON FRACTIONS $\pm 1/64$ DECIMALS $\pm .005$ ANGLES $\pm 1/2^\circ$		SCALE: ZA-2075 (Do Not Scale) MAXIMUM ALLOWABLE TOLERANCES HAVE BEEN DETERMINED AND ANY DEVIATIONS WILL BE CAUSE FOR REJECTION. REMOVE ALL BURRS AND SHARP EDGES				

REQ. PER UNIT	MODEL	SECTION	ASS'Y. NO.	DATE
1	DDR-6E			7-11-61
USED ON				

REQ. ITEM	PART NO.	DESCRIPTION	SYMBOL
STOCK SIZE		THE TECHNICAL MATERIEL CORP. MAMARONECK, NEW YORK	
MATERIAL		AC POWER STRIP (6 CONNECTOR)	
TYPE & TEMPER	HEAT TREAT. SPEC.	DRAWN	CHECKER
		John C. Biele	<i>[Signature]</i>
FINISH & SPEC. NO.	ELEC. DES. APP.	MECH. DES. APP.	FINAL APPROVAL
			AX-253