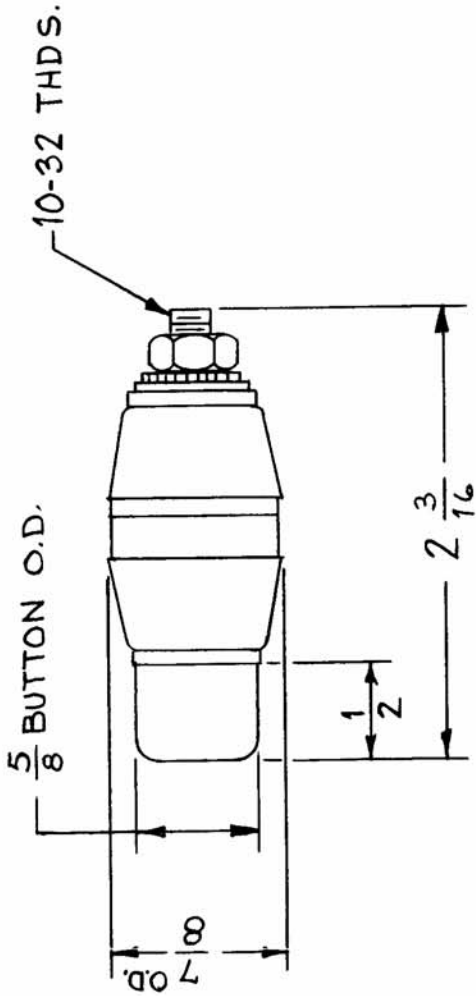


AX-241

REQ. PER UNIT	MODEL	USED ON ASSY. NO.	DATE
1	RFD-1		12-1-60
1	RFC-1		12-1-60

CONSISTS OF:

- 1 BUTTON-BRASS, NICKEL PLATED W/10-32 THREADED ROD
- 2 INSULATORS - CERAMIC
- 1 GLAND - TEFLON
- 1 WASHER-NEOPRENE
- 2 WASHER - FIBER
- 1 WASHER-FLAT, BRASS, NICKEL PLATED
- 1 WASHER - EXT. LOCK, BRASS, NICKEL PLATED
- 1 NUT - HEX, BRASS, NICKEL PLATED



REQ. ITEM	PART NO.	DESCRIPTION	SYMBOL
		THE TECHNICAL MATERIEL CORP. MAMARONECK, NEW YORK	
		CONTACT ELECTRICAL	
		MATERIAL	
		HEAT TREAT. SPEC.	
		FINISH & SPEC. NO.	
		TYPE & TEMPER	
		CHECKER	
		DATE	
		SCALE	
		CODE	1A-2026
		TOLERANCES	FRACTIONS X ± .05 XX ± .01 XXX ± .005
		UNLESS OTHERWISE SPECIFIED	± 1/64
		DIMENSIONS ARE IN INCHES AND INCLUDE	ANGLES ± 0° 30'
		CHEMICALLY APPLIED OR PLATED FINISHES	
		DESCRIPTION	
		STOCK SIZE	
		DRAWN	
		CHECKED	
		FINAL APPROVAL	
		ELEC. DES. APP.	
		MECH. DES. APP.	
		AX-241	