

REQ. PER UNIT	1
MODEL	ACU
USED ON	ASSY. NO. AX-237
DATE	10-20-60

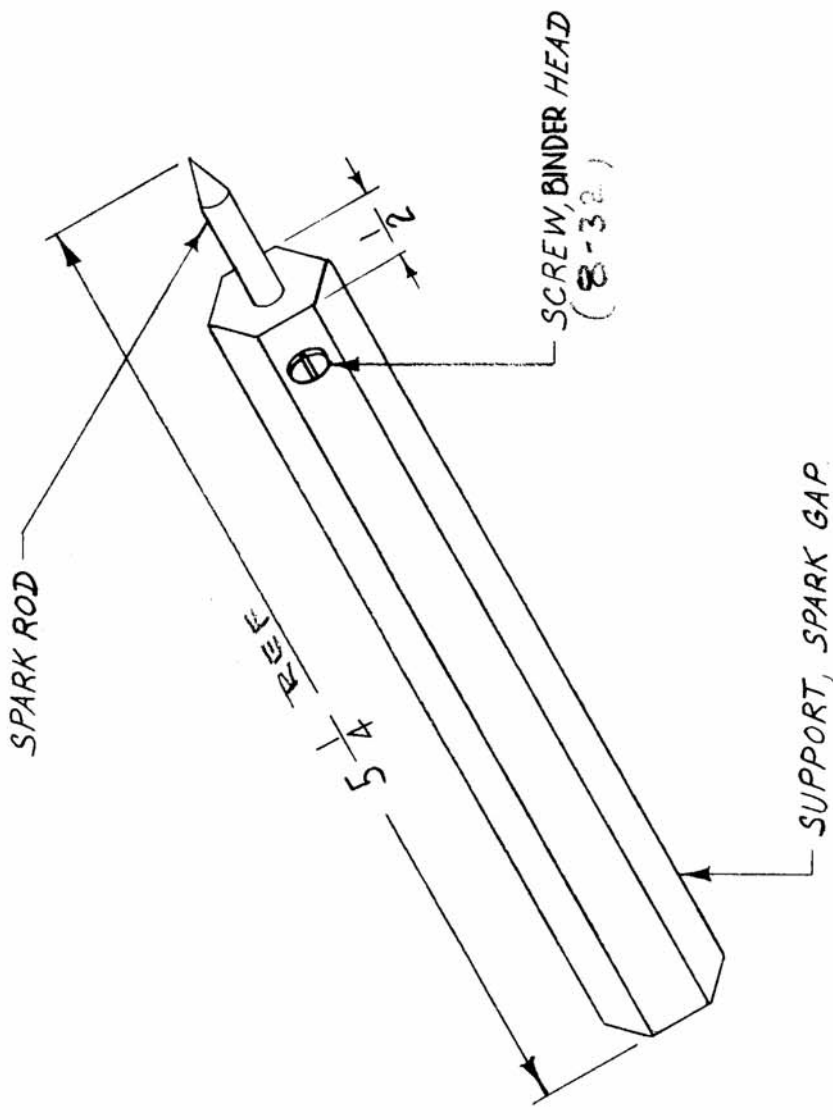
ASS'Y. CONSISTS OF (1) SUPPORT SPARK GAP (1) SPARK ROD (1) BINDER HEAD SCREW.

MATERIALS

SUPPORT SPARK GAP ~ ALUMINUM, S404 YELL. IRIDITE

SPARK ROD ~ BRASS, S105 CADMIUM PLATE.

SCREW, BINDER HEAD ~ BRASS, BRIGHT NICKEL.



REQ. ITEM	DESCRIPTION	SYMB
	THE TECHNICAL MATERIEL CORP. MAMARONECK, NEW YORK	
	SPARK GAP ASS'Y.	
ISSUE ITEM	CHANGED FROM	
TOLERANCES		
DEC. DIM. ±		
FRAC. DIM. ± 1/64		
ANGULAR DIM. ±		
DATE	CH. NO.	DRAFTS
SCALE:	1A-2001	
MAXIMUM ALLOWABLE TOLERANCES HAVE BEEN DETERMINED AND ANY DEVIATIONS WILL BE CAUSE FOR REJECTION. REMOVE ALL BURRS AND SHARP EDGES		
TYPE & TEMPER	HEATTREAT. SPEC.	
DRAWN	CHECKED	FINAL APPROVAL
FINISH & SPEC. NO.		
ELEC. DES. APP. MECH. DES. APP.		