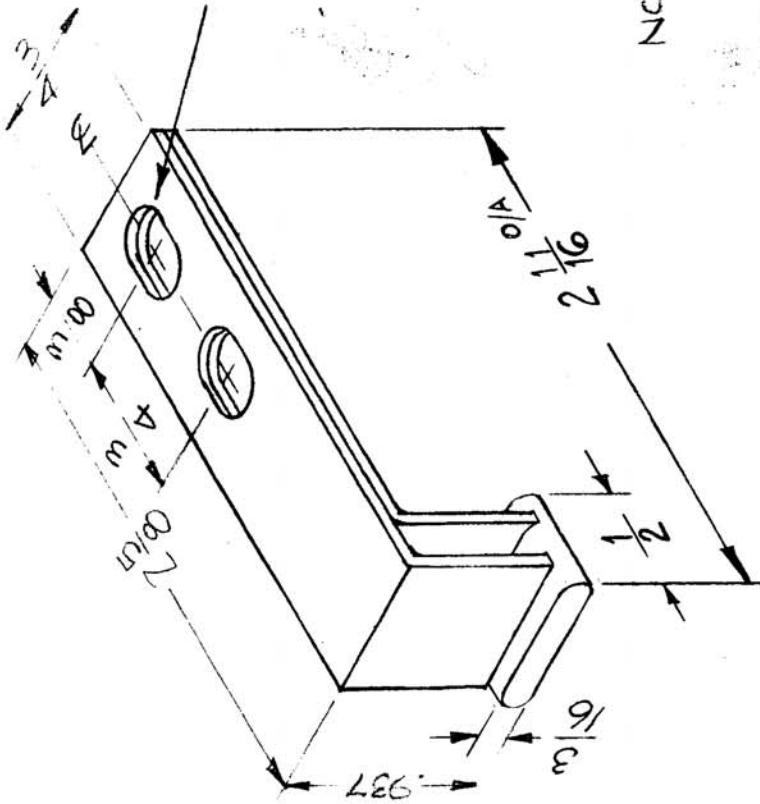


AX-234

REQ. PER UNIT	MODEL	USED ON ASSY. NO.	DATE
5	ACU		10-18-60
	GPT-40K		4-15-61

ASSY CONSIST OF
 (1) LEAF, CONTACT
 (1) SHOE CONTACT ASSY.

$\frac{11}{64} \times \frac{11}{32}$ SLOTS
 2 REG



MATERIAL
 LEAFS- Beryllium COPPER
 SHOE- BRASS
 FINISH
 PHOSPHOR PLATE

NOTE - ASSY IS WIRED TOGETHER
 AS SET FOR SHIPPING.

REQ. ITEM	PART NO.	DESCRIPTION	SYMBOL
		THE TECHNICAL MATERIEL CORP.	
		MAMARONECK, NEW YORK	
		CONTACT ASSY, ROTOR	
ISSUE ITEM	CHANGED FROM		
TOLERANCES			
SCALE: A-1987			
MAXIMUM ALLOWABLE TOLERANCES HAVE BEEN DETERMINED AND ANY DEVIATIONS WILL BE CAUSE FOR REJECTION. REMOVE ALL BURRS AND SHARP EDGES			
DEC. DIM. ±			
FRAC. DIM. ±			
ANGULAR DIM. ±			
DATE	CH. NO.	DRAFTS	CHECKER
			ENG. APP.
DRAWN		CHECKED	FINAL APPROVAL
D.D.W. [Signature]		AA	AX-234
ELEC. DES. APP.		MECH. DES. APP.	