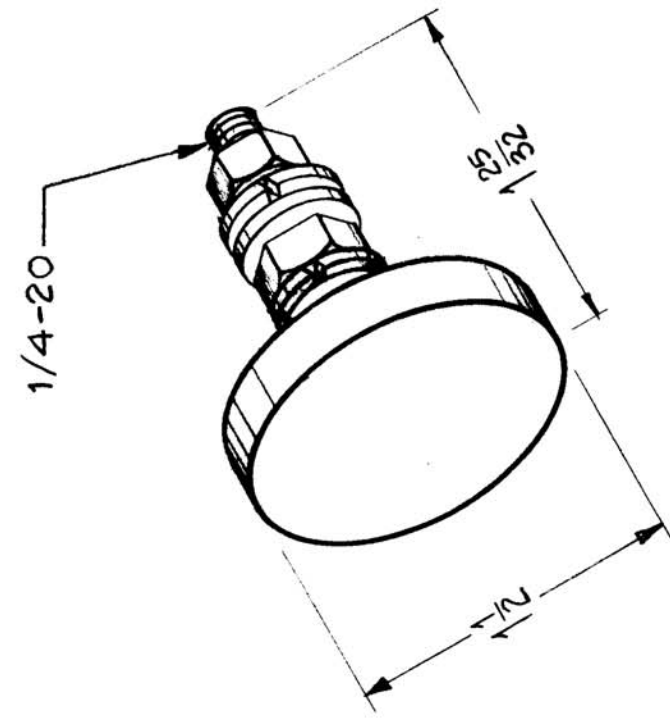


REQ. PER UNIT	M DEL	USED ON	DATE
1	GPT-40K	AX-222	A
	AT-101		4-11-60

- ASSY. CONSISTS OF
- (1) CONTACT, BRASS, RHODIUM PLATE
  - (2) FLAT WASHERS BRASS, NICKEL PLATE
  - (2) SPLIT LOCKWASHER BRONZE, NICKEL PLATE
  - (2) NUT, HEX, BRASS, NICKEL PLATE



REG. ITEM	PART NO.	DESCRIPTION	SYMBOL
		THE TECHNICAL MATERIEL CORP.	
		MAMARONECK, NEW YORK	
		STOCK SIZE	
		MATERIAL	
		TYPE & TEMPER	
		HEAT TREAT. SPEC.	
		FINISH & SPEC. NO.	
A		PA INPUT	
ISSUE ITEM	CHANGED FROM	DATE	CH. NO.
	Split Lockw. 2 Reg Was Internal 1 Reg	10-31-61	5700
		DATE	CH. NO.
		10-31-61	5700
		DRAFTS	CHECKER
		IB	RA
		SCALE:	1A-186Z
TOLERANCES			
MAXIMUM ALLOWABLE TOLERANCES HAVE BEEN DETERMINED AND ANY DEVIATIONS WILL BE CAUSE FOR REJECTION. REMOVE ALL BURRS AND SHARP EDGES			
DEC. DIM. ±			
FRAC. DIM. ±			
ANGULAR DIM. ±			
	DRAWN	CHECKED	FINAL APPROVAL
	DANO	Jude	DOB
		16	AX-222
			A