

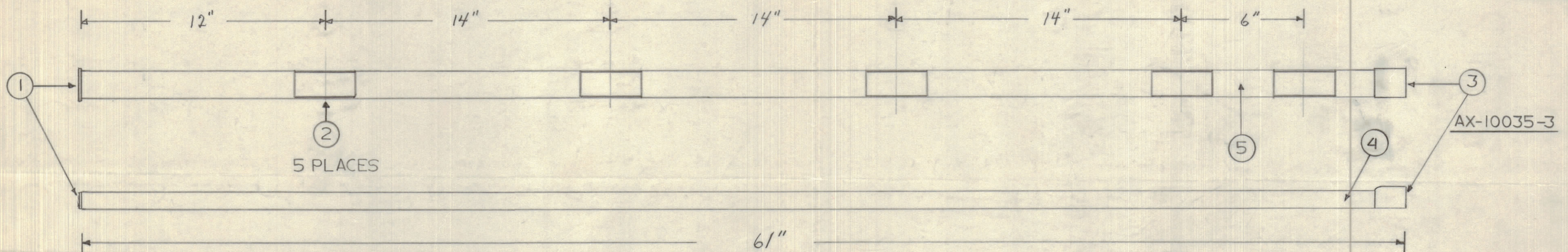
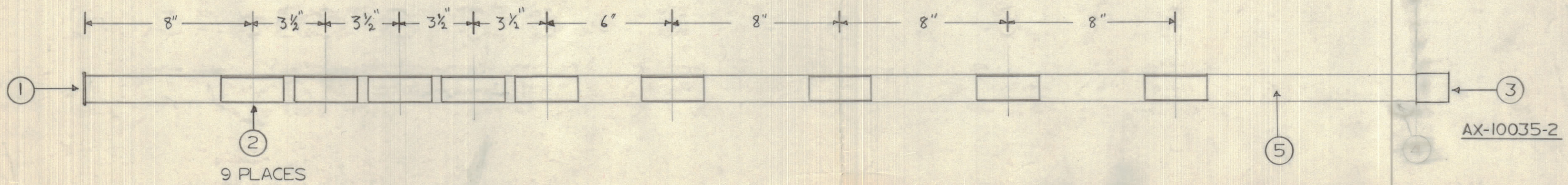
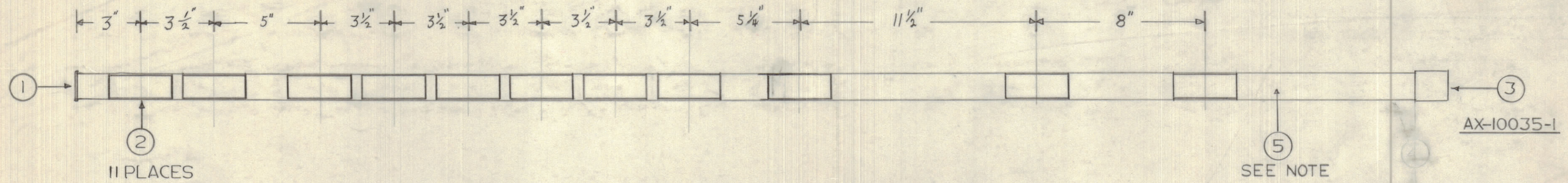
IF IT IS FOUND DESIRABLE TO CHANGE ANY TOLERANCE OR OTHER DETAIL SPECIFIED ON THIS DRAWING NOTIFY THE PURCHASER PROMPTLY.

MAXIMUM ALLOWABLE TOLERANCES HAVE BEEN DETERMINED AND DEVIATIONS WILL BE CAUSE FOR REJECTION. REMOVE ALL BURRS AND SHARP EDGES.

DIMENSIONS IN INCHES UNLESS OTHERWISE SPECIFIED

ISSUE	ITEM	CHANGED FROM	DATE	CN. NO.	DRAFTS	CHECKER	ENG. APP.

REQ.	ITEM	PART NO.	DESCRIPTION	SYMBOL
SEE CHART	1	PO-161	FITTING, END, BLANK	
	2	JJ-294	RECEPTACLE, GROUNDING	
	3	PO-162	FITTING, END, CABLE ENTRY	
	4	PO-160	CHANNEL, STRIP A.C.	
	5	PO-163	COVER, CONNECTOR STRIP	
AR	6	MWC12(19)U0	WIRE, BLACK INSULATION	
AR	7	MWC12(19)U9	WIRE, WHITE INSULATION	
	8	TE155-34168	TERMINAL, LUG	

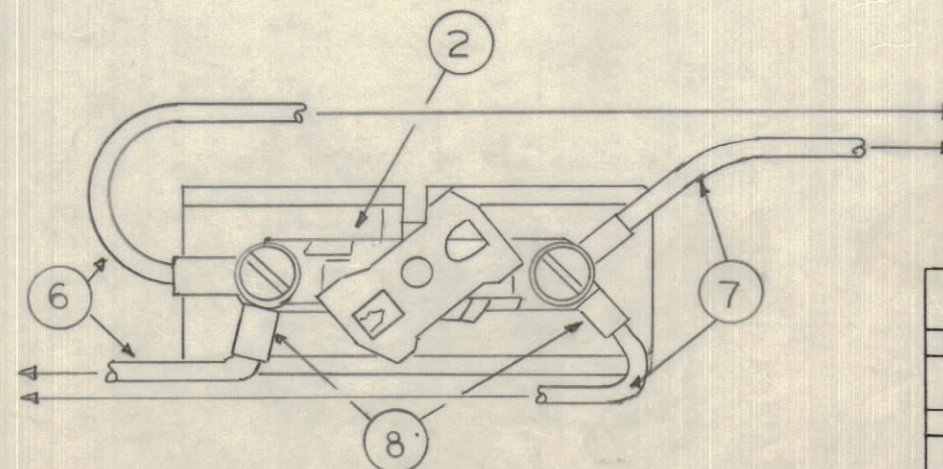


AX-10035 \emptyset

TABLE OF QUANTITIES

	ITEM 1	ITEM 2	ITEM 3	ITEM 4	ITEM 5	ITEM 8
AX-10035-1	1	11	1	1	12	43
-2	1	9	1	1	10	35
-3	1	5	1	1	6	19

NOTE: ITEM 5 TO BE CUT TO REQUIRED LENGTHS AFTER ALL ITEM 2 ARE INSTALLED.



STOCK SIZE		TMC (Canada) LIMITED OTTAWA ONTARIO	
MATERIAL		STRIP, ASSEMBLY A.C. POWER	
TYPE & TEMPER		LANGER	ELEC. DES. APP. MECH. DES. APP.
HEAT TREAT. SPEC.		CHECKED	FINAL APPROVAL
FINISH & SPEC. NO.		AX-10035 \emptyset	

MODEL	C-10699	ASS'Y. NO.	9 DEC 66
USED ON			

TOLERANCES		SCALE:
ALL OTHERS	DEC. DIM. \pm FRAC. DIM. \pm ANGULAR DIM. \pm	DRILL, PUNCH, COMMERCIAL STOCK SIZES AND MANUFACTURERS TOLERANCES ARE NOT INCLUDED.