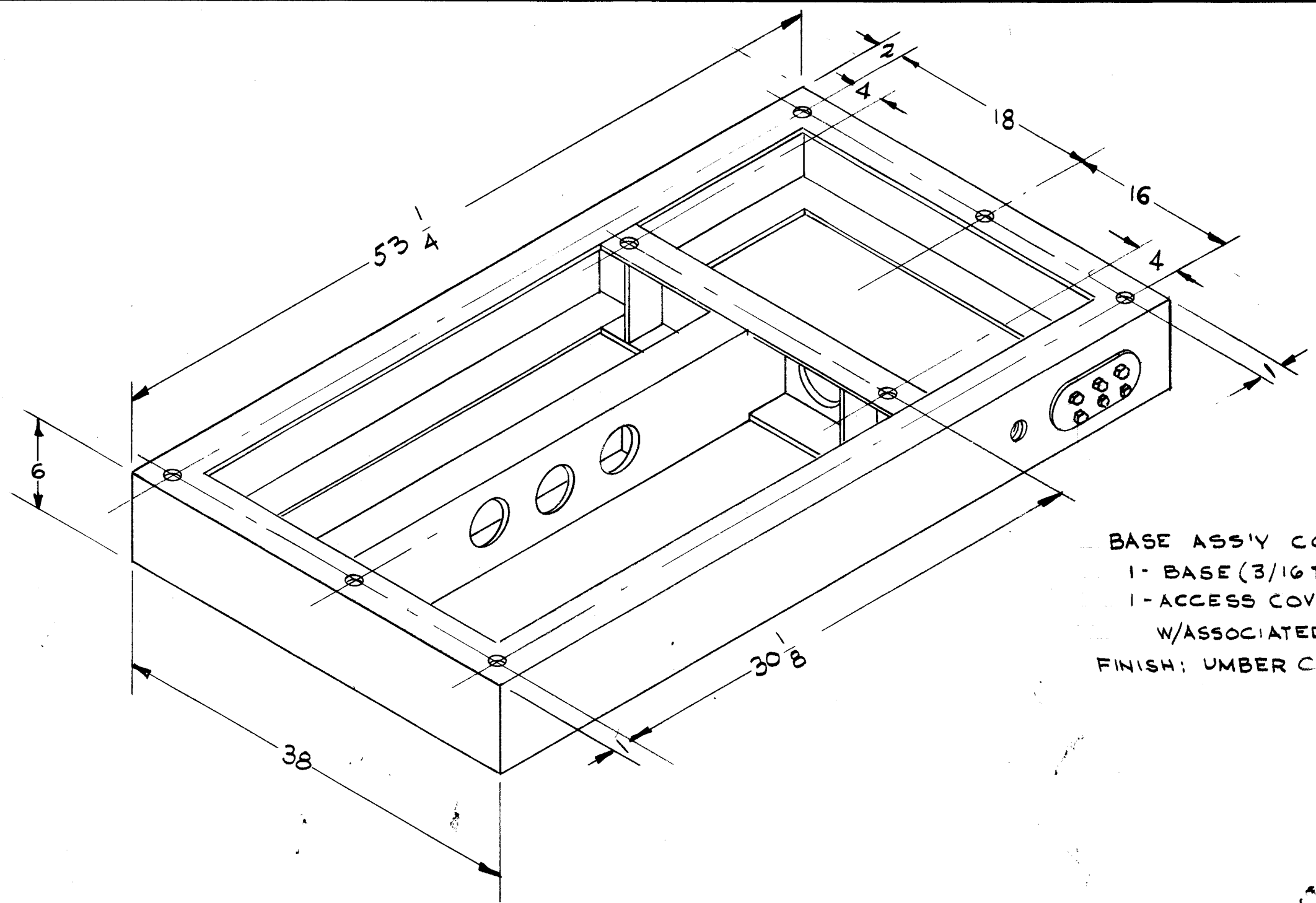


AX-193



BASE ASS'Y CONSISTS OF
 1- BASE (3/16 THK. STEEL)
 1- ACCESS COVER (STEEL)
 W/ASSOCIATED MTG. HARDWARE
 FINISH: UMBER COLOR

ISSUE	ITEM	CHANGED FROM	DATE	CH. NO.	DRAFTS	CHECKER	ENG. APP.
TOLERANCES			SCALE:		NPL 2A 1763		
DEC. DIM. ±			MAXIMUM ALLOWABLE TOLERANCES HAVE BEEN DETERMINED AND ANY DEVIATIONS WILL BE CAUSE FOR REJECTION. REMOVE ALL BURRS AND SHARP EDGES				
FRAC. DIM. ±							
ANGULAR DIM. ±							

1	GPT-10K(D)	AX-193		11-6-59
REQ. PER UNIT	MODEL	PROJECT NO.	ASS'Y. NO.	DATE
USED ON				

REQ. ITEM	PART NO.	DESCRIPTION	SYMBOL
		THE TECHNICAL MATERIEL CORP. MAMARONECK, NEW YORK	
		BASE ASS'Y	
		11-6-59 16	ANS
		DRAWN	CHECKED
			FINAL APPROVAL
			AX-193
		ELEC. DES. APP.	MECH. DES. APP.