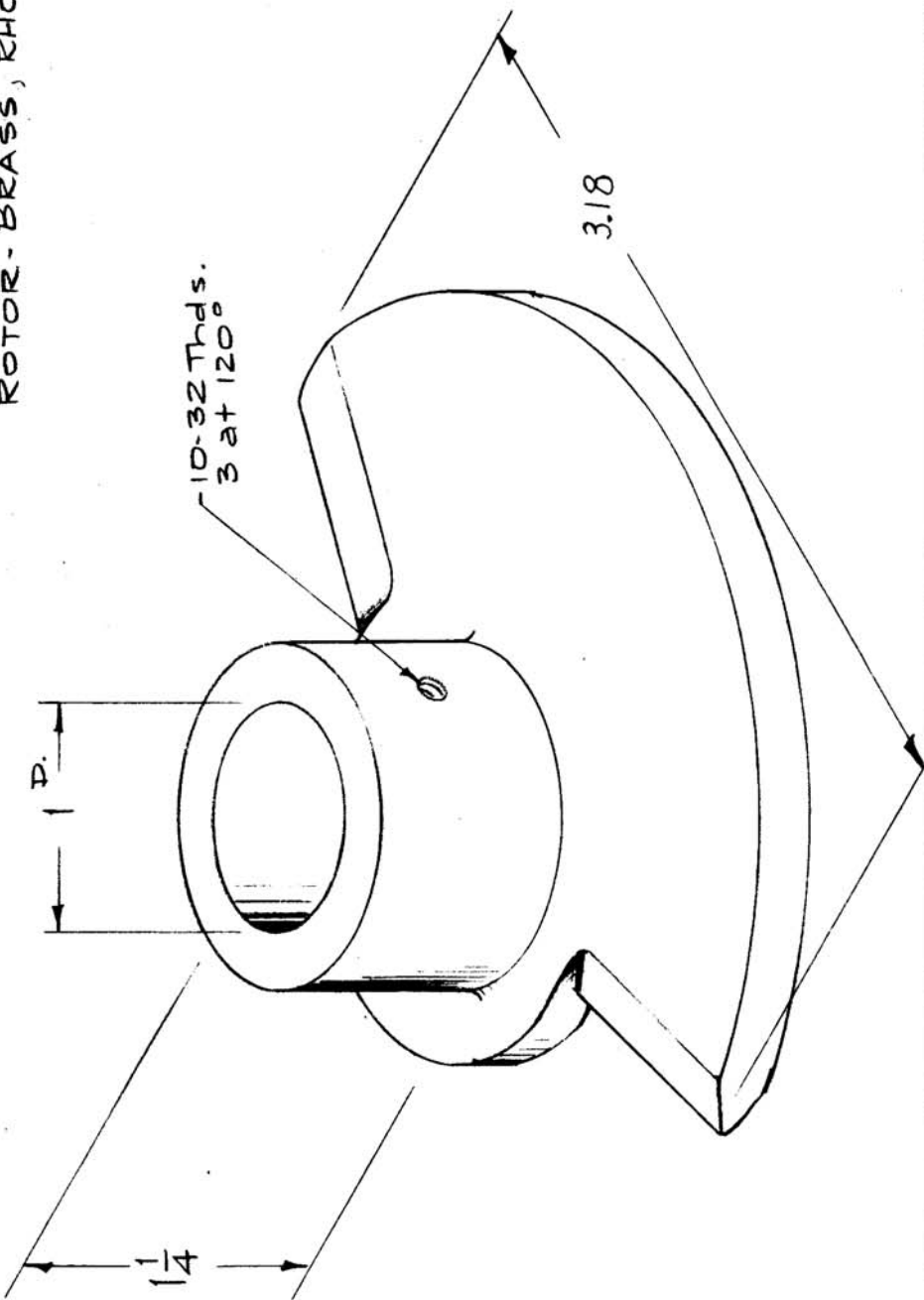


REQ. PER UNIT	1	USED ON	SECTION	DATE
MODEL	GPT-10K	AS-102	9-23-59	
AX-158		A		

ROTOR - BRASS, RHODIUM PLATE



REQ. ITEM	PART NO.	DESCRIPTION	SYMBOL
		THE TECHNICAL MATERIEL CORP.	
		MAMARONECK, NEW YORK	
		ROTOR, PA BANDSWITCH	
		STOCK SIZE	
		MATERIAL	
		TYPE & TEMPER	
		HEAT TREAT. SPEC.	
		FINISH & SPEC. NO.	
		DRAWN	
		CHECKED	
		DATE	
		SCALE	
		DATE	
		CH. NO.	
		DRAFTS	
		CHECKER	
		ENG. APP.	
		NO NPL	
		SCALE	
		MAXIMUM ALLOWABLE TOLERANCES HAVE BEEN DETERMINED AND ANY DEVIATIONS WILL BE CAUSE FOR REJECTION. REMOVE ALL BURRS AND SHARP EDGES	
		TOLERANCES	
		DEC. DIM. ±	
		FRAC. DIM. ±	
		ANGULAR DIM. ±	
		DIM. FOR REF.	
		FINAL APPROVAL	
		AX-158	
		A	