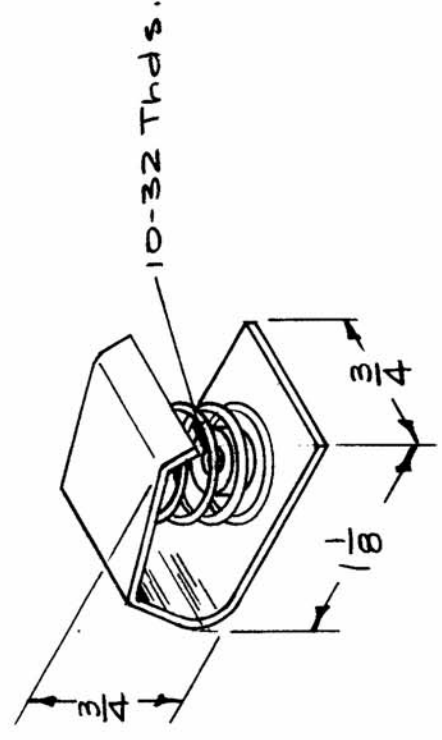


REQ. PER UNIT	USED ON	AX-154	A
1	SECTION		
	MODEL		
	DATE		
	DATE	9-23-59	
	MODEL	AX-171	
	DATE		

Assembly is Beryllium Copper,
SILVER Plate



REQ. ITEM	DESCRIPTION	SYMBOL
A	THE TECHNICAL MATERIEL CORP. MAMARONECK, NEW YORK CONTACT, RF	A
ISSUE ITEM	CHANGED FROM	
	SILVER PLATE WAS NICKEL	
	DATE	5-28-60
	CH. NO.	2295
	DRAFTS CHECKER	<i>[Signature]</i>
	ENG. APP.	
	SCALE:	NPL 1A1654
TOLERANCES		
MAXIMUM ALLOWABLE TOLERANCES HAVE BEEN DETERMINED AND ANY DEVIATIONS WILL BE CAUSE FOR REJECTION. REMOVE ALL BURRS AND SHARP EDGES		
	STOCK SIZE	
	MATERIAL	
	TYPE & TEMPER	
	HEAT TREAT. SPEC.	
	FINISH & SPEC. NO.	
	DRAWN	6/11/59
	CHECKED	<i>[Signature]</i>
	FINAL APPROVAL	<i>[Signature]</i>
	ELEC. DES. APP	
	MECH. DES. APP	
	AX-154	A