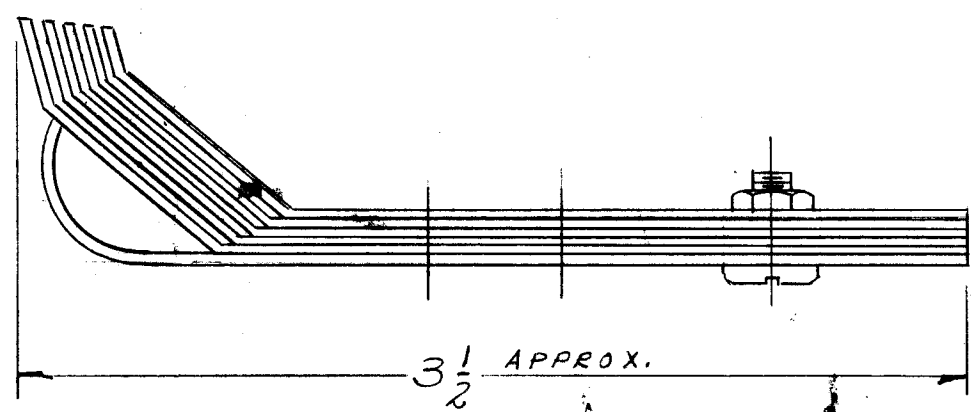
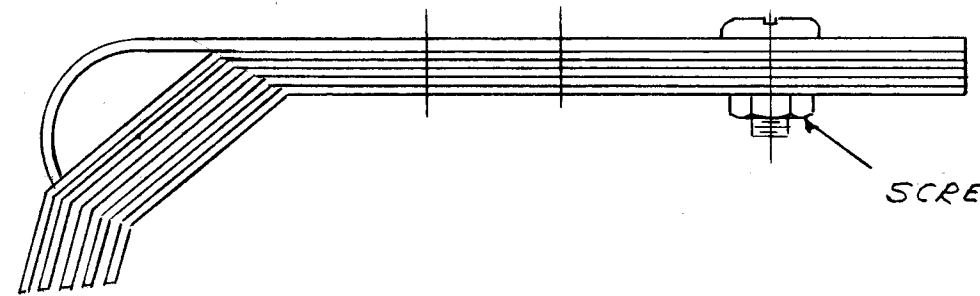
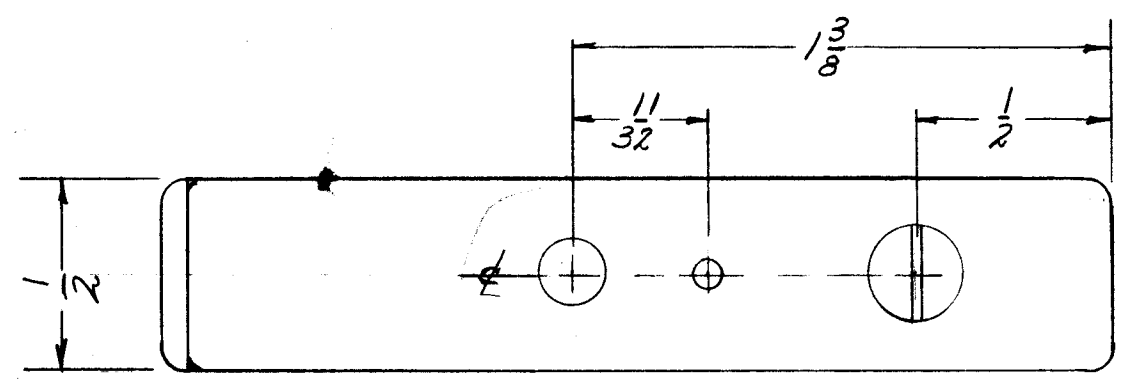


AX-128  
A



NOTE :

CONTACT FINGERS MUST BE  
INSTALLED IN MATCHED PAIRS  
AS FURNISHED

MAT'L - BERYLLIUM COPPER

FIN. - SILVER PLATE  
RHODIUM PLATE

DEC. DIM. ±							
FRAC. DIM. ±							
DECIMAL DIM. ±							
ISSUE	ITEM	CHANGED FROM	DATE	CH. NO.	DRAFTS	CHECKER	ENG. APP.
A	1	NUT REPLACEMENT NOTE & PICT. OF NUT DELE.	9.3.64	12230	WJB	@	OB
TOLERANCES			SCALE: <i>CP</i> A-1700				
MAXIMUM ALLOWABLE TOLERANCES HAVE BEEN DETERMINED AND ANY DEVIATIONS WILL BE CAUSE FOR REJECTION. REMOVE ALL BURRS AND SHARP EDGES							

1	AX-117	10K		5-19-59
REQ. PER UNIT	MODEL	PROJECT NO.	ASS'Y. NO.	DATE
USED ON				

REQ. ITEM	PART NO.	DESCRIPTION	SYMBOL
	<i>CP</i>	THE TECHNICAL MATERIEL CORP. MAMARONECK, NEW YORK	
	STOCK SIZE		
	<i>CP</i>	CONTACT ASS'Y LONG	
	MATERIAL		
<i>CP</i>	<i>CP</i>		
		DRAWN <i>15</i>	CHECKED
			FINAL APPROVAL <i>11/19/65</i>
			AX-128
			A