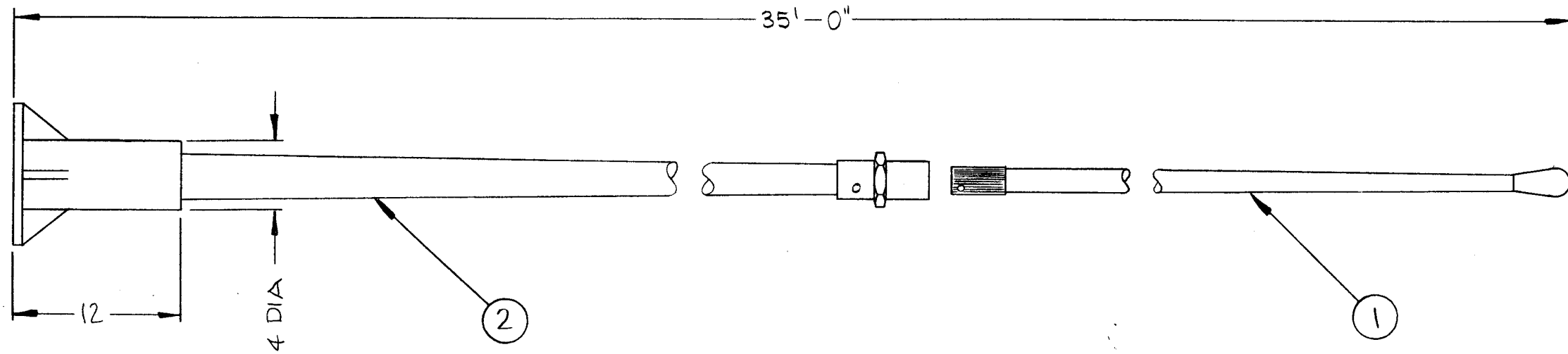
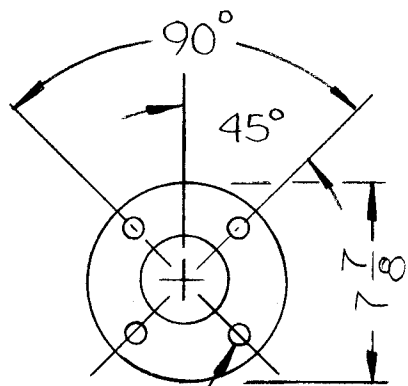


A
AW107

| REVISIONS | | | | | | |
|-----------|---------------------------------|----------|------------|-------|------|----------|
| SYM | DESCRIPTION | DATE | E.M.N. NO. | DRAFT | CHKD | APPD |
| Ø | ORIGINAL RELEASE FOR PRODUCTION | 10/6/66 | Ø | CV | | |
| A | AW136 CHG TO NS136 | 16/12/70 | 20165 | GE | W | P. S. K. |



21/32 DIA ON 6 DIA BASE CIRCLE
HOLE PATTERN TO FIT NAVY
BASE #61335

NOTE ~
FOR USE WITH FEEDTHRU INSULATOR NS136

| REQ'D. | ITEM | PART NUMBER | DESCRIPTION | SYMBOL |
|--------|------|-------------|-------------------------|--------|
| 1 | 2 | AW104-2 | ANTENNA, BOTTOM SECTION | |
| 1 | 1 | AW104-1 | ANTENNA, TOP SECTION | |

| | | | | | |
|---|------------|---|--------------------------------------|---|-------------------|
| HAY | | LIST OF MATERIAL | | | |
| MATERIAL | | THE TECHNICAL MATERIEL CORP. MAMARONECK, NEW YORK | | | |
| FINISH | | TITLE WHIP, ANTENNA | | | |
| UNLESS OTHERWISE SPECIFIED DIMENSIONS ARE IN INCHES AND INCLUDE CHEMICALLY APPLIED OR PLATED FINISHES | | DRAWN <i>WHS</i> CHECKED <i>Q/S</i> ELECT. DES. MECH. DES. | DATE 9.27.66 DATE DATE DATE | FINAL APPROV <i>[Signature]</i> SHEET REV. LTR. | DATE 10/4/66 A |
| DECIMALS .X ± .05 .XX ± .01 .XXX ± .005 | TOLERANCES | FRACTIONS ± 1/64 ANGLES ± 0° 30' | | | |

| | | |
|------------|---------------|------------|
| Q'TY./UNIT | MODEL USED ON | ASS'Y. NO. |
| SCALE | CODE C | S401-253 |

NOTES

THE CONTENTS OF THIS DRAWING ARE THE EXCLUSIVE PROPERTY OF THE TECHNICAL MATERIEL CORP. ITS UNAUTHORIZED USE OR REPRODUCTION IN WHOLE OR IN PART IS STRICTLY FORBIDDEN.