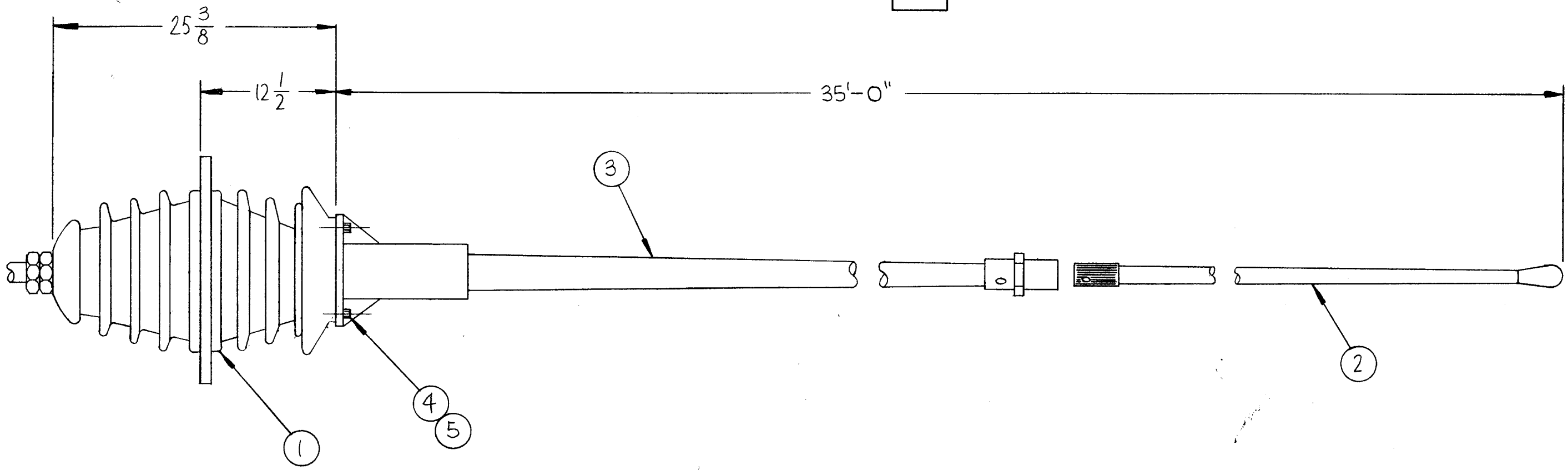


AW106

REVISIONS						
SYM	DESCRIPTION	DATE	E.M.N. NO.	DRAFT	CHKD	APPD
∅	ORIGINAL RELEASE FOR PRODUCTION	10/6/66	∅	CV		



REQ'D.	ITEM	PART NUMBER	DESCRIPTION	SYMBOL
4	5	LWS62M\$5	WASHER, LOCK	
4	4	SCHH6211\$\$20	SCREW, MACHINE	
1	3	AW104-2	ELEMENT, ANTENNA (BOT SECTION)	
1	2	AW104-1	ELEMENT, ANTENNA (TOP SECTION)	
1	1	NS136	FEEDTHRU INSULATOR	

R. HAY		LIST OF MATERIAL	
MATERIAL		THE TECHNICAL MATERIEL CORP. MAMARONECK, NEW YORK	
FINISH		TITLE ANTENNA, WHIP	
UNLESS OTHERWISE SPECIFIED DIMENSIONS ARE IN INCHES AND INCLUDE CHEMICALLY APPLIED OR PLATED FINISHES		DRAWN <i>WHD</i> DATE 9.29.66 CHECKED <i>JS</i> DATE ELECT. DES. DATE MECH. DES. DATE	FINAL APPROVAL <i>[Signature]</i> DATE 10/6/66 AW106 REV. LTR. ∅
DECIMALS .X ± .05 .XX ± .01 .XXX ± .005		FRACTIONS ± 1/64 ANGLES ± 0° 30'	SHEET REV. LTR.

Q'TY./UNIT	MODEL USED ON	ASS'Y. NO.
SCALE	CODE	

NOTES

THE CONTENTS OF THIS DRAWING ARE THE EXCLUSIVE PROPERTY OF THE TECHNICAL MATERIEL CORP. ITS UNAUTHORIZED USE OR REPRODUCTION IN WHOLE OR IN PART IS STRICTLY FORBIDDEN.