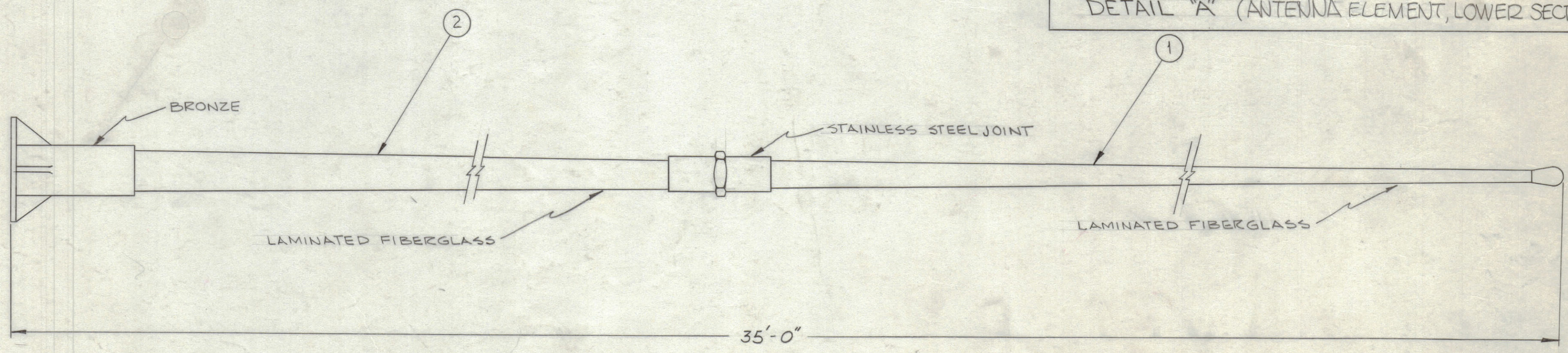
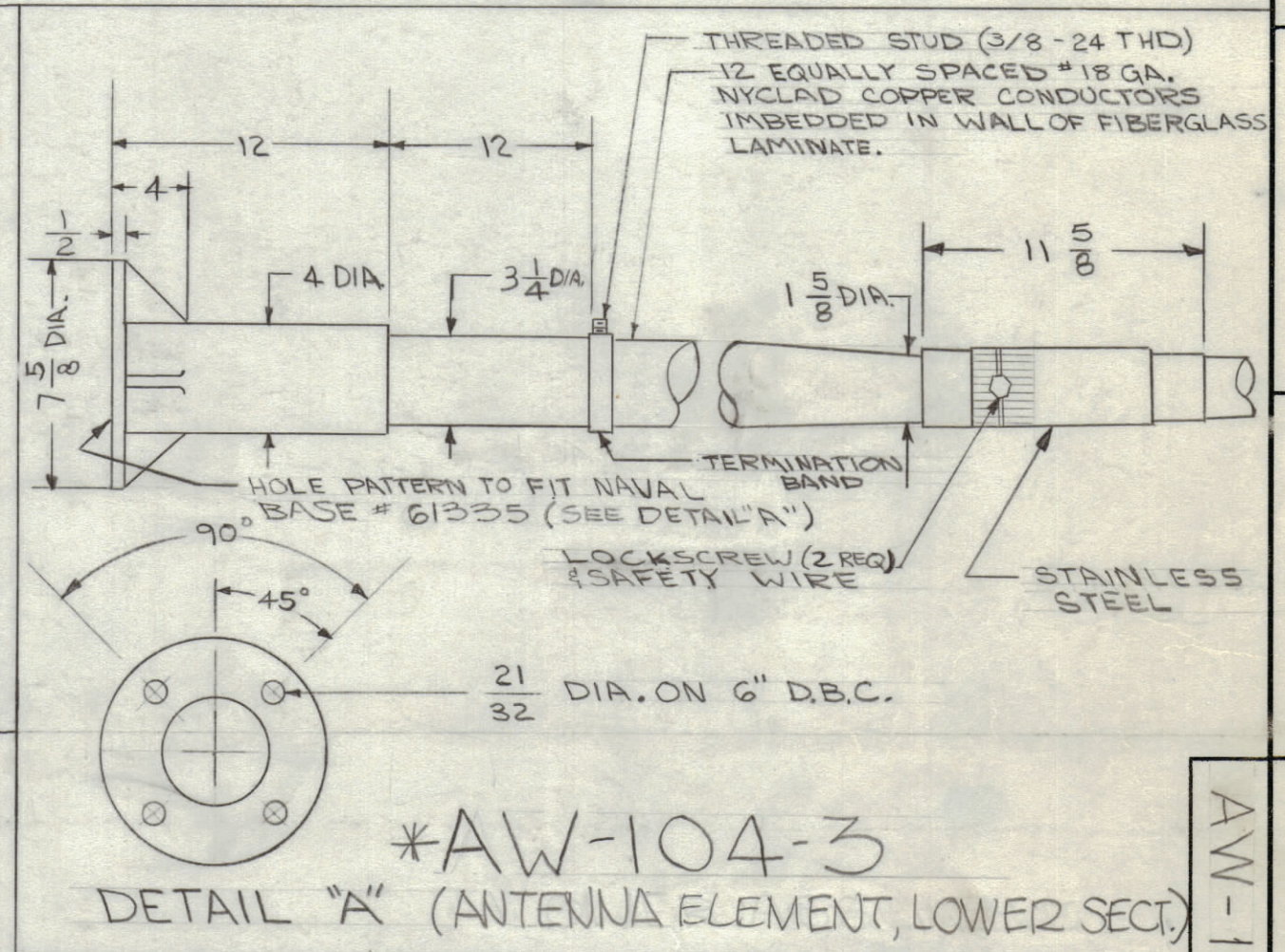
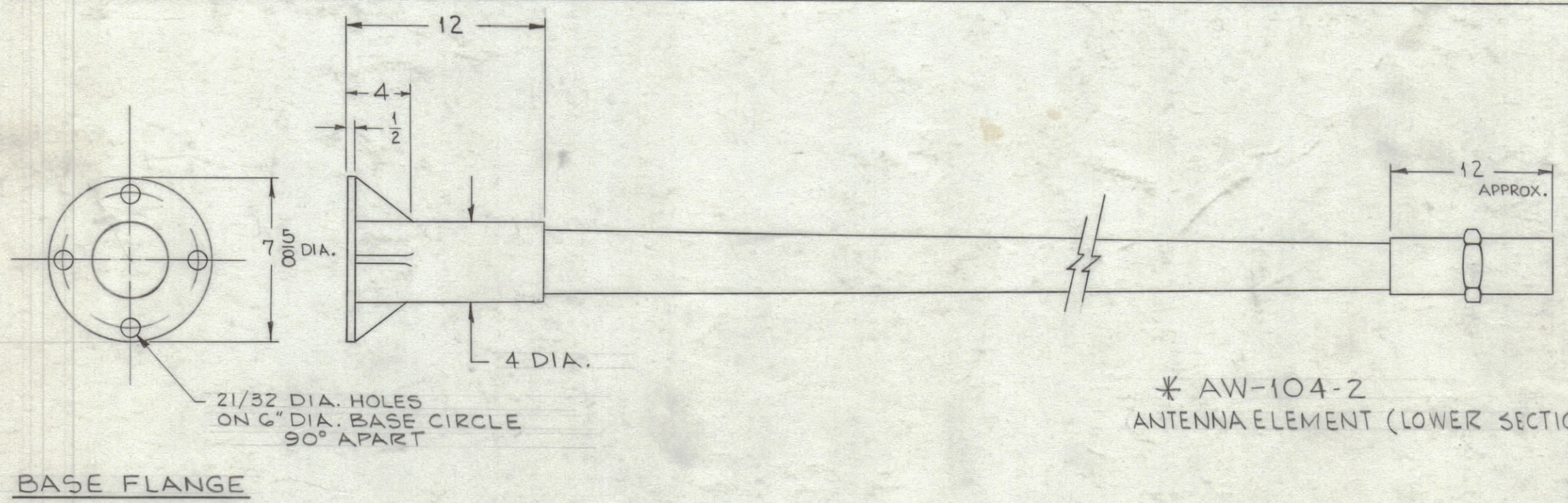
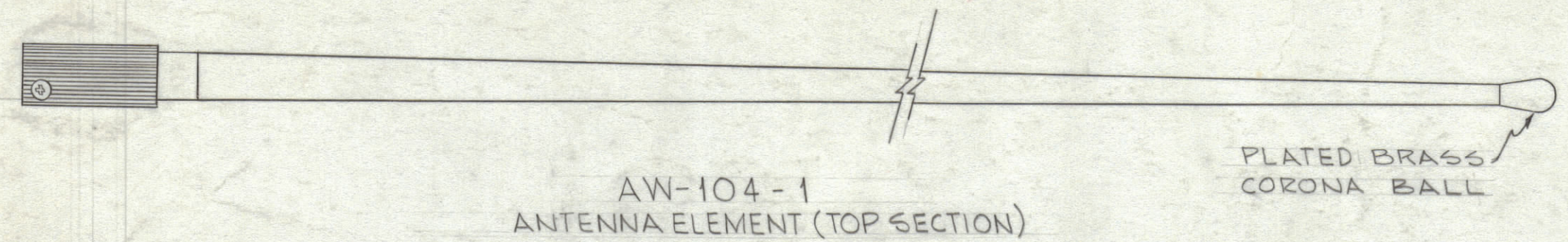


REVISIONS							
ZONE	SYM	DESCRIPTION	DATE	E.M.N. NO.	DRAFT	CHKD	APPD
	A	AW-104-3 ADDED	6/17/63	14247	E	JCS	MM



AW-104
A

REQ'D.	ITEM	PART NUMBER	DESCRIPTION	SYMBOL
1	2	AW-104-*	ELEMENT, ANTENNA (LOWER SECTION)	
1	1	AW-104-1	ELEMENT, ANTENNA (TOP SECTION)	

R. HAY LIST OF MATERIAL

MATERIAL		THE TECHNICAL MATERIEL CORP.	
FINISH		MAMARONECK, NEW YORK	
		TITLE	
		ANTENNA, WHIP	
DRAWN	DATE	FINAL APPROVAL	DATE
11/26/63			
CHECKED	DATE		
	11/27/63		
ELECT. DES.	DATE	AW-104	A
MECH. DES.	DATE		
	12/3/63		
SHEET		REV. LTR.	

Q'TY./UNIT	MODEL USED ON	ASS'Y. NO.
SCALE	CODE	
NONE	C	3401-253

THE CONTENTS OF THIS DRAWING ARE THE EXCLUSIVE PROPERTY OF THE TECHNICAL MATERIEL CORP. ITS UNAUTHORIZED USE OR REPRODUCTION IN WHOLE OR IN PART IS STRICTLY FORBIDDEN.

NOTES