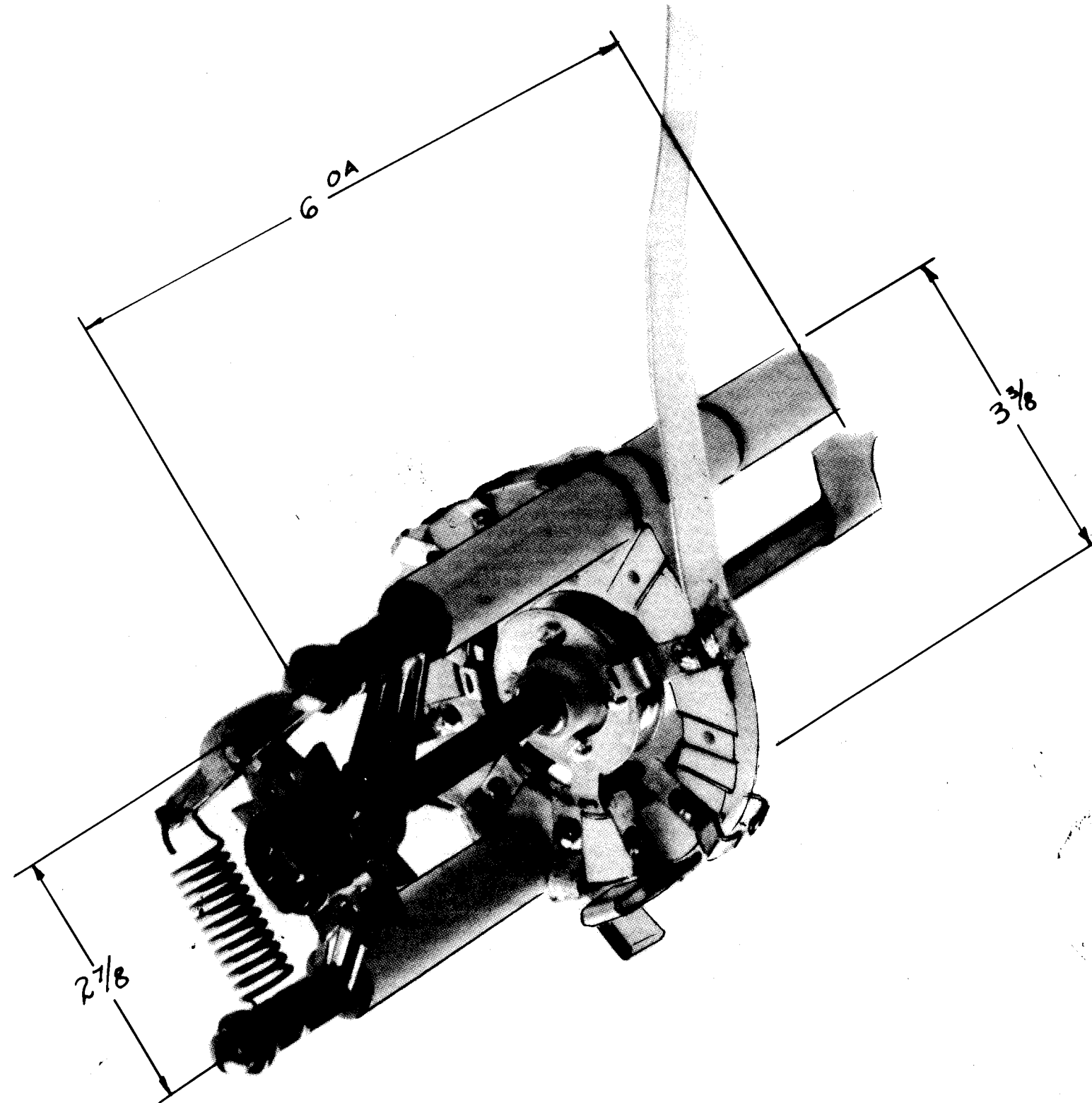


AS-100



ELECTRICAL SPECIFICATIONS:
 SWITCH, ROTARY W/30° DETENT;
 10 CONTACTS; STEATITE INSULATION;
 NICKEL SILVER SHAFT.
 ASSEMBLY INCLUDES LEADS
 TO FACILITATE MAINTENANCE.

ISSUE	ITEM	CHANGED FROM	DATE	CH. NO.	DRAFTS	CHECKER	ENG. APP.
TOLERANCES			SCALE: A-1620				
DEC. DIM. ±			MAXIMUM ALLOWABLE TOLERANCES HAVE BEEN DETERMINED AND ANY DEVIATIONS WILL BE CAUSE FOR REJECTION. REMOVE ALL BURRS AND SHARP EDGES				
FRAC. DIM. ±							
ANGULAR DIM. ±							

REQ. PER UNIT	MODEL	PROJECT NO.	ASS'Y. NO.	DATE
1	RFB-1			
USED ON				

REQ. ITEM	PART NO.	DESCRIPTION			SYNO
		THE TECHNICAL MATERIEL CORP. MAMARONECK, NEW YORK			
		STOCK SIZE			
		MATERIAL			
		IPA BANDSWITCH ASS'Y.			
		TYPE & TEMPER	HEAT TREAT. SPEC.	DRAWN	CHECKED
				16	HQ
		FINISH & SPEC. NO.	ELEC. DES. APP.	MECH. DES. APP.	FINAL APPROVAL
					AS-100