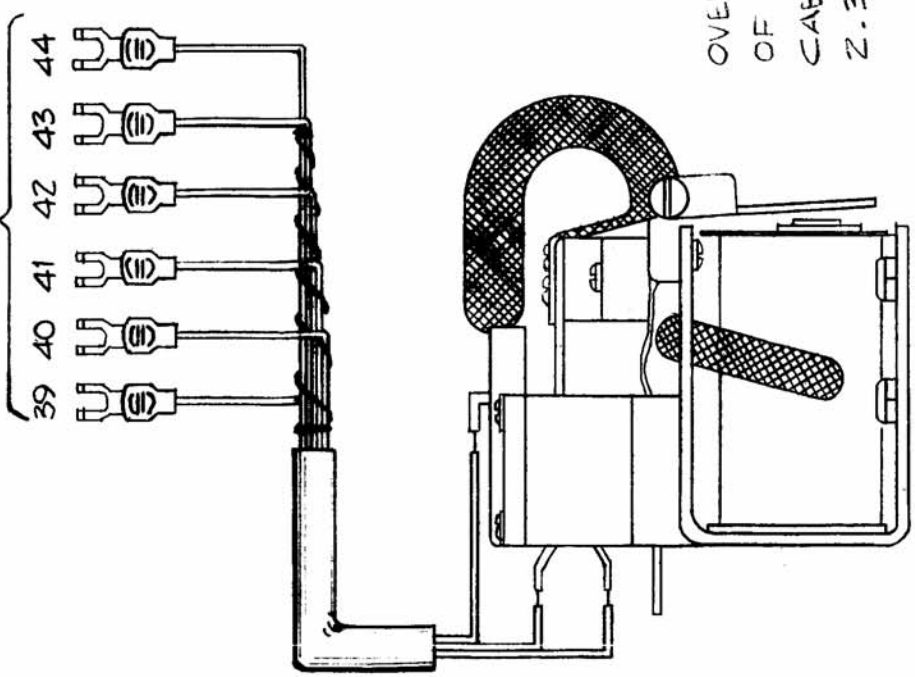


REQ. PER UNIT 1	M DEL GPT-40K	USED ON ASSY. NO. AR-116	DATE 2-26-60	AR-118
--------------------	------------------	--------------------------------	-----------------	--------

To E 7605 of AR-116



OVERALL DIMS.  
OF RELAY LESS  
CABLE - 2 x 1.250x  
2.3125

NON-LATCH TYPE  
CONTACT ARRANGEMENT -  
4C (4 P.D.T.)  
CONTACTS SILVER CADMIUM  
MOISTURE RESISTANT VARNISH  
ON COIL.

REQ. ITEM	PART NO.	DESCRIPTION	SYMBOL
		THE TECHNICAL MATERIEL CORP. MAMARONECK, NEW YORK	
		DRIVER INTERLOCK RELAY ASSY (RELAY SOLENOID)	
		DR. MAMARONECK	
		CHECKED	FINAL APPROVAL
		DRAWN	
		HEAT TREAT. SPEC.	
		TYPE & TEMPER	
		MATERIAL	
		STOCK SIZE	
		FINISH & SPEC. NO.	
		ELEC. DES. APP. MECH. DES. APP.	
		AR-118	

TOLERANCES

DEC. DIM. ±  
FRAC. DIM. ±  
ANGULAR DIM. ±

SCALE: 2A-1834  
MAXIMUM ALLOWABLE TOLERANCES HAVE  
BEEN DETERMINED AND ANY DEVIATIONS  
WILL BE CAUSE FOR REJECTION.  
REMOVE ALL BURRS AND SHARP EDGES