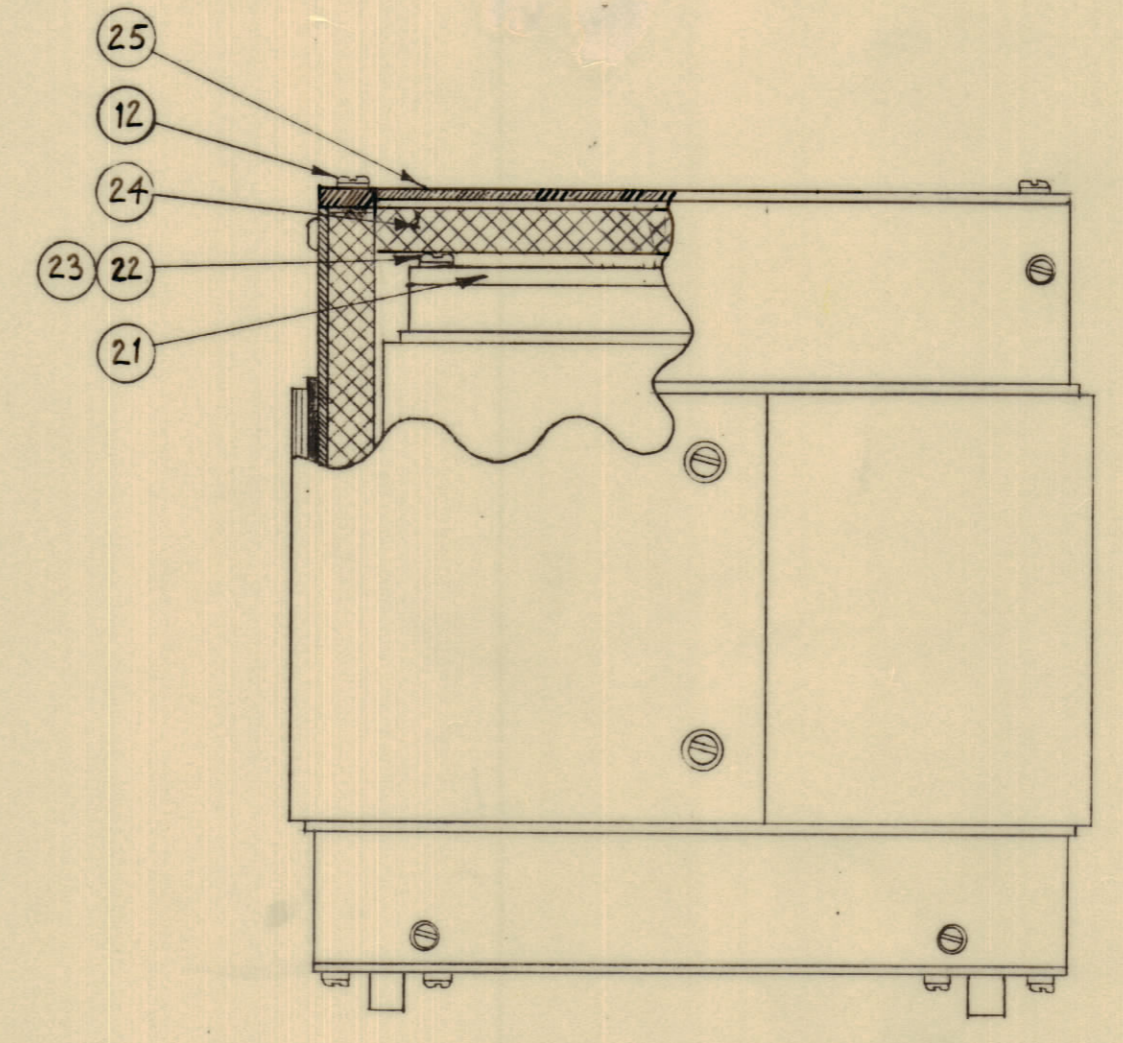
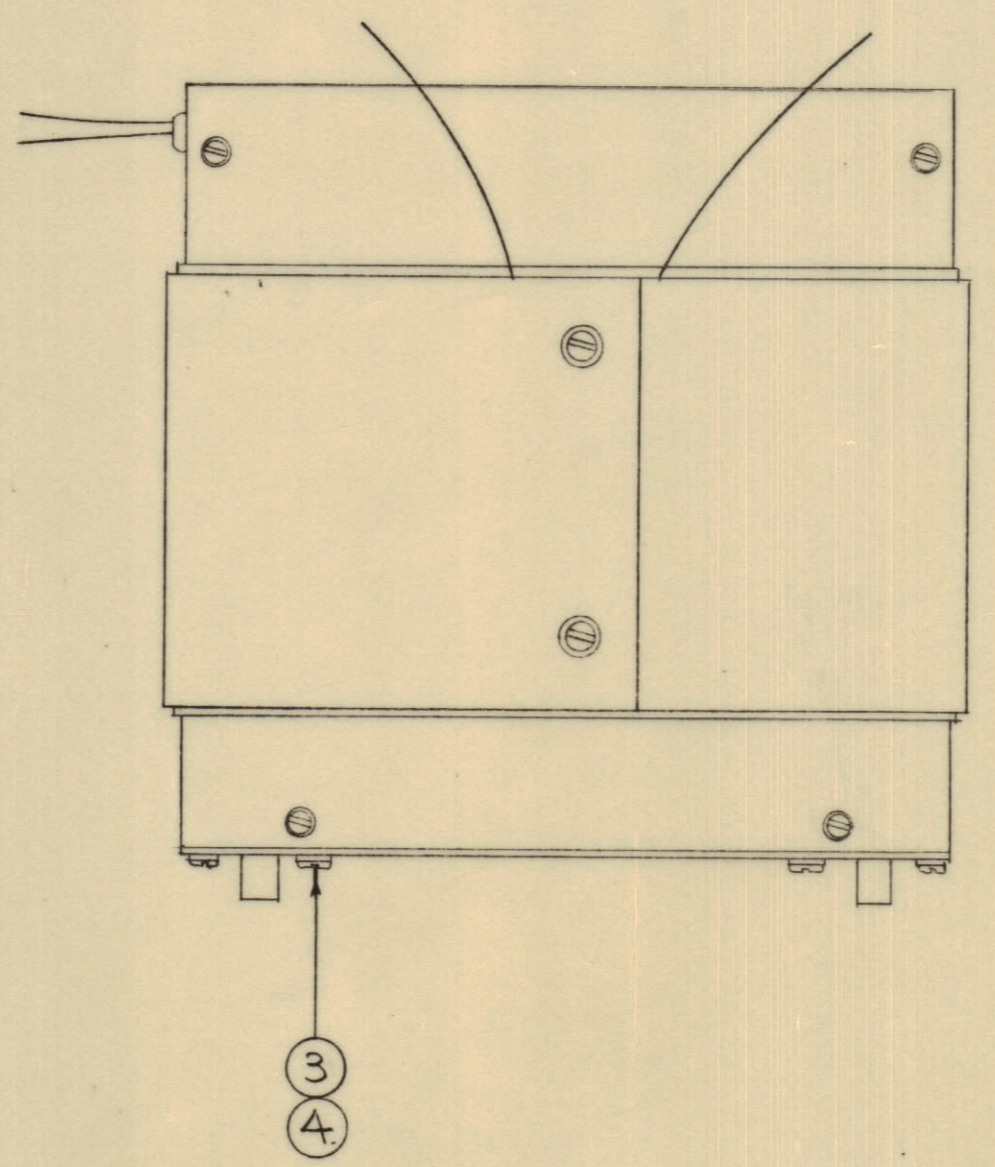
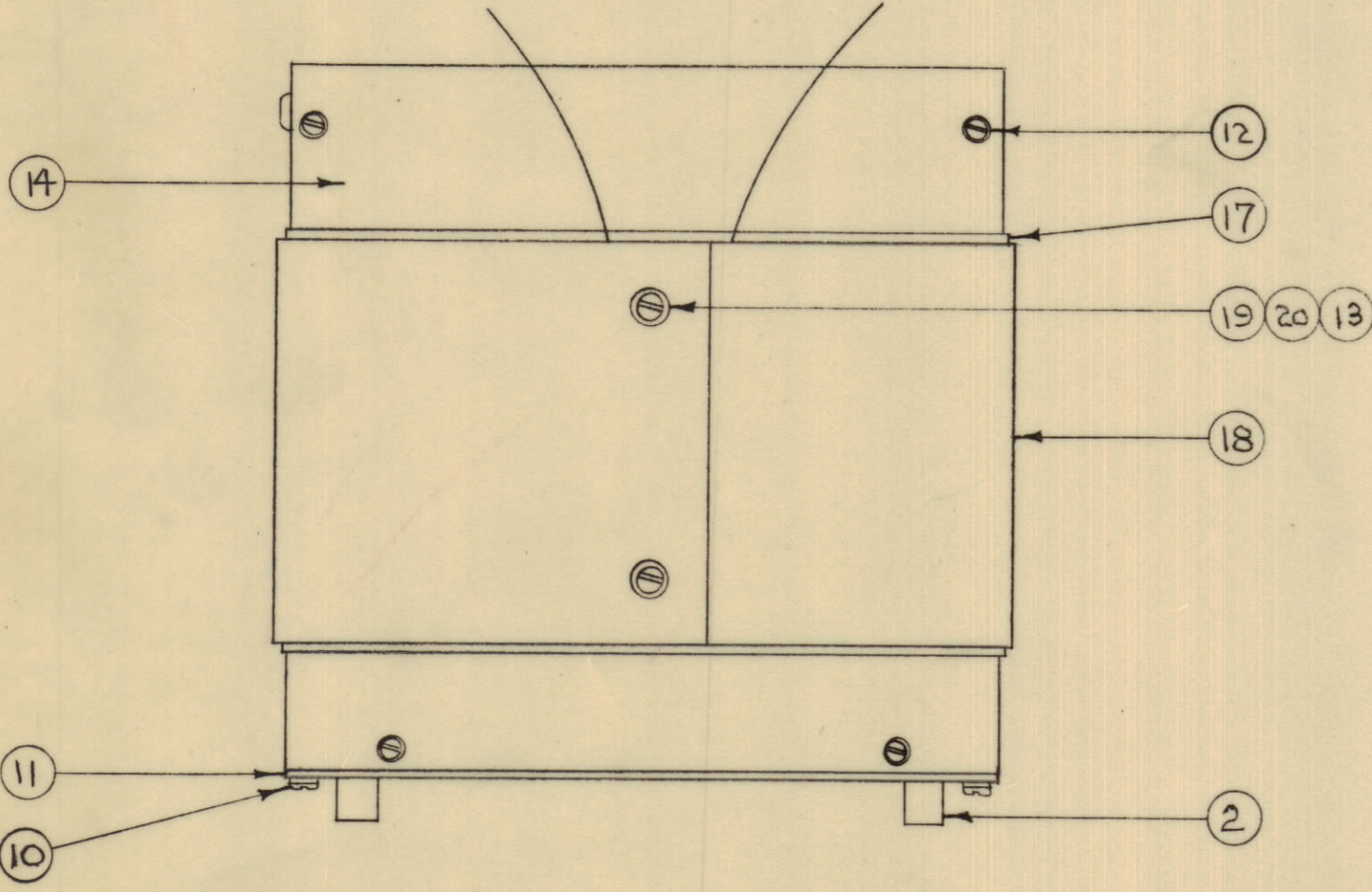
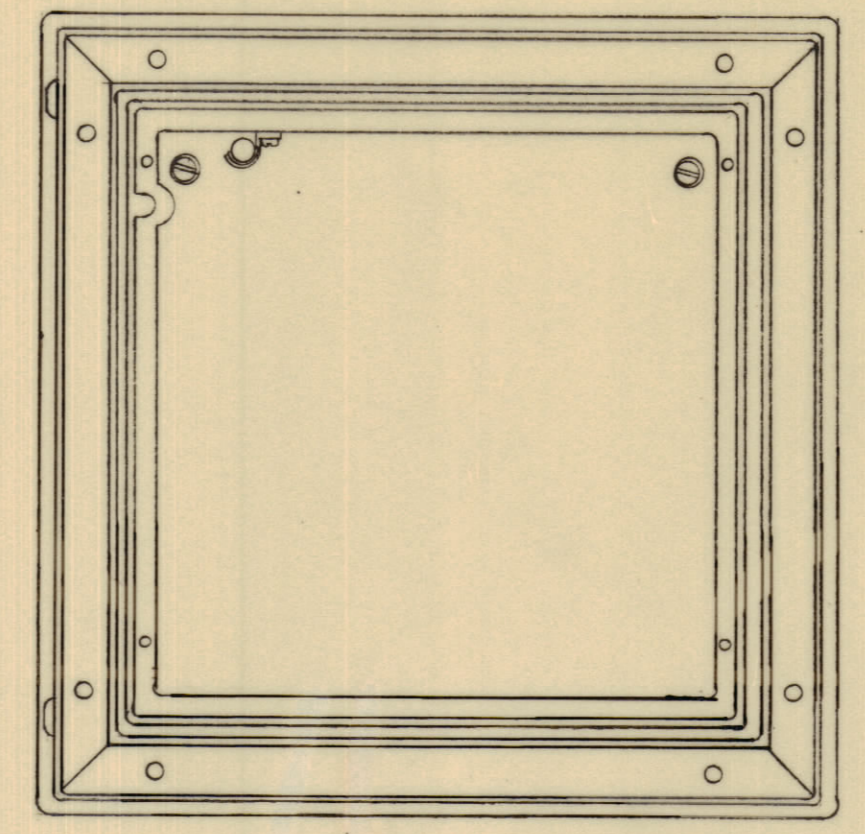
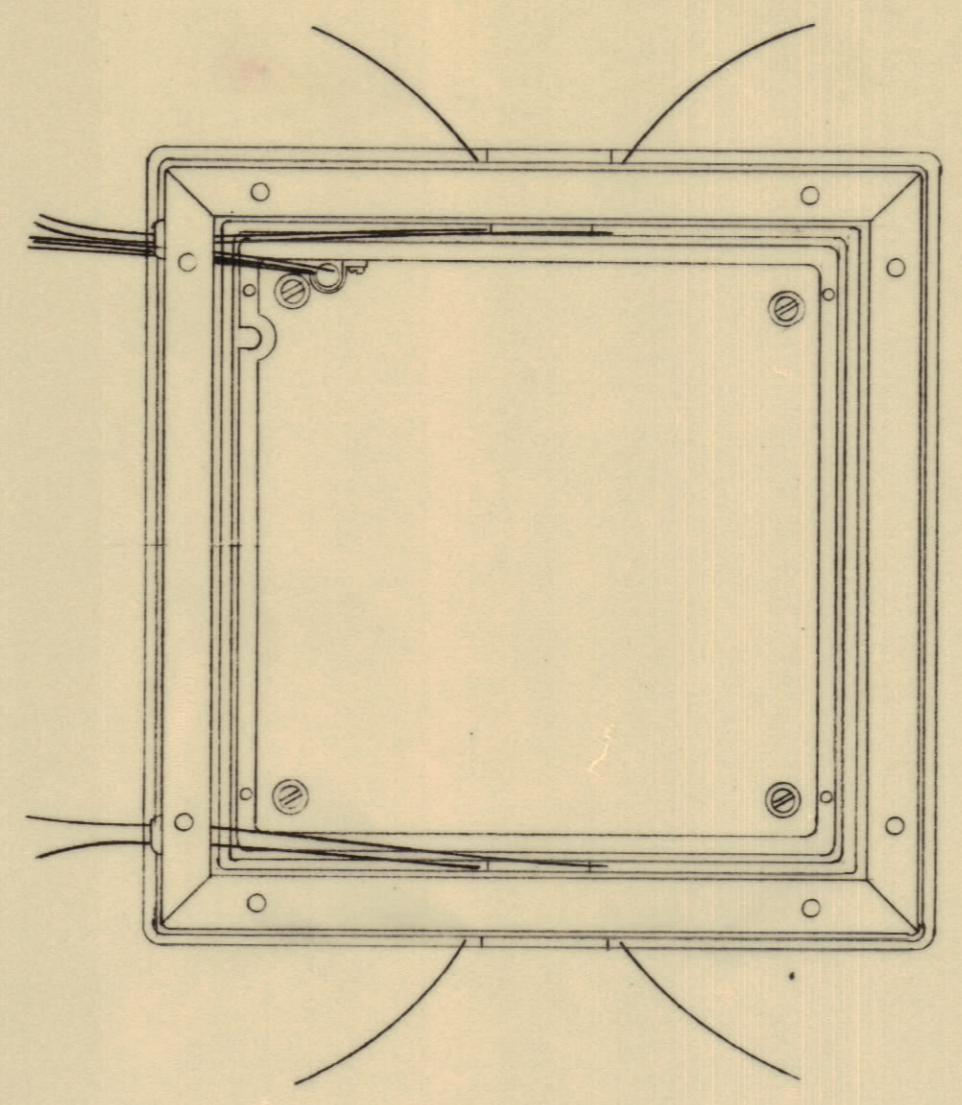
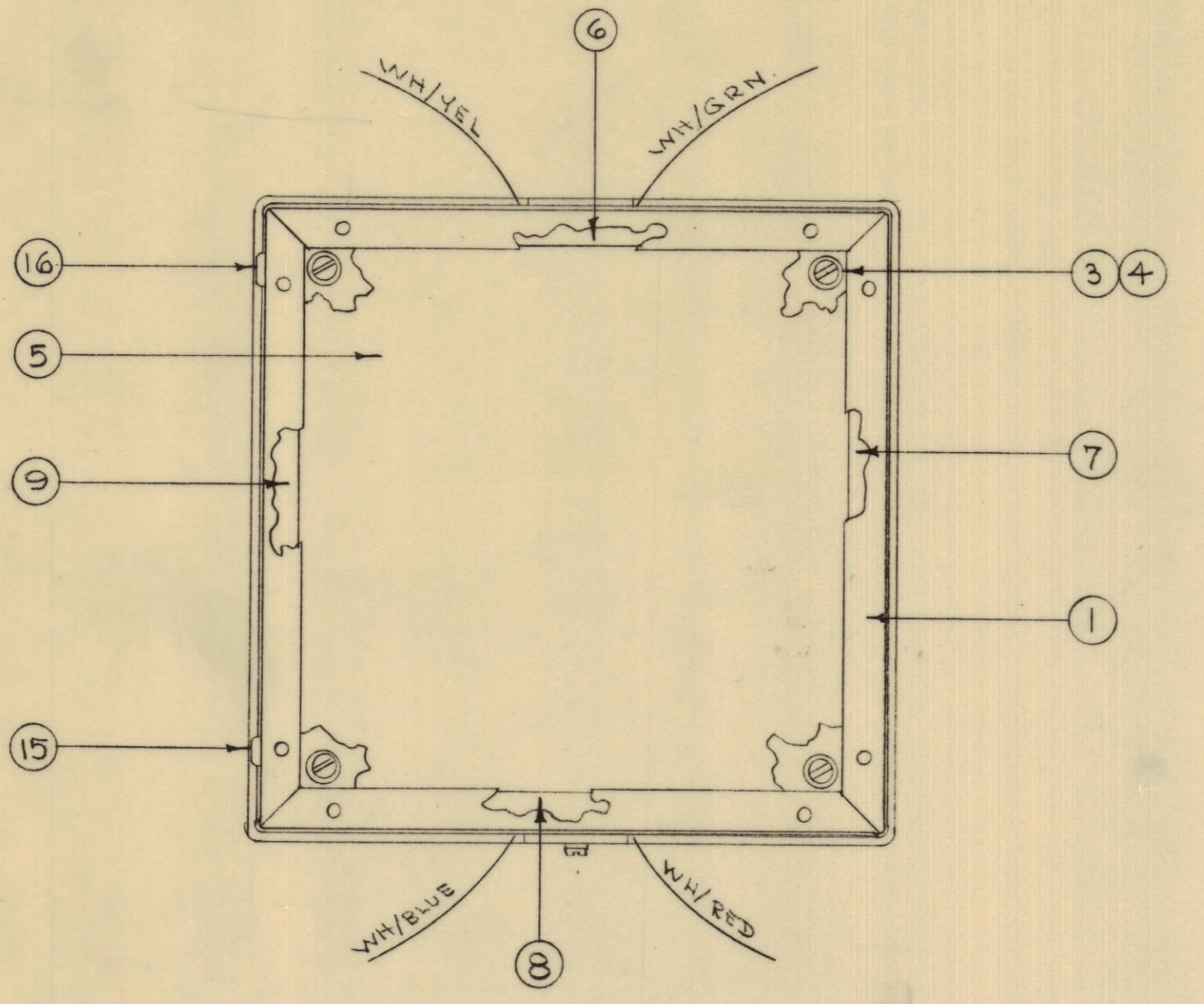


IF IT IS FOUND DESIRABLE TO CHANGE ANY TOLERANCE OR OTHER DETAIL SPECIFIED ON THIS DRAWING NOTIFY THE PURCHASER PROMPTLY.
 MAXIMUM ALLOWABLE TOLERANCES HAVE BEEN DETERMINED AND DEVIATIONS WILL BE CAUSE FOR REJECTION. REMOVE ALL BURRS AND SHARP EDGES

NOTICE TO PERSONS RECEIVING THIS DRAWING

THE TECHNICAL MATERIEL CORPORATION claims proprietary right in the material disclosed hereon. This drawing is issued in confidence for engineering information only and may not be reproduced or used to manufacture anything shown hereon without permission from THE TECHNICAL MATERIEL CORPORATION to the user. This drawing is loaned for mutual assistance and is subject to recall at any time.

Property of:
 THE TECHNICAL MATERIEL CORPORATION
 MAMARONECK, NEW YORK



STEP 1 - INNER SHELL, INSULATION AND HEATER.

STEP 2 - INNER SHELL AND OVEN.

STEP 3 - INNER SHELL, OVEN, AND COVERS.

6	26	LWE08MRN	LOCKWASHER, EXTERNAL
1	25	MS-310	FRONT COVER, INNER SHELL
1	24	IM-122	INNER INSULATOR, FRONT
6	23	LWE04MRN	LOCKWASHER, EXTERNAL
6	22	SCBP0440BN7	SCREW, MACHINE
1	21	MS-306	OVEN COVER
2	20	FW 06HBN	WASHER, FLAT
2	19	SFB0632BN6	SCREW, SELF TAP
1	18	RR-105	OVEN HEATER
1	17	IM-111	INNER SHELL FISH PAPER
1	16	EY-102-3	GROMMET, ELASTIC
1	15	EY-102-2	GROMMET, ELASTIC
1	14	MS-311	TOP COVER, INNER SHELL
2	13	LWE06MRN	WASHER, LOCK
14	12	SCBP0632BN5	SCREW, MACHINE
1	11	MS-312	REAR COVER, INNER SHELL
6	10	SCBP0832BN5	SCREW, MACHINE
1	9	IM-124	INNER INSULATOR, R. SIDE
1	8	IM-120	INNER INSULATOR, TOP
1	7	IM-123	INNER INSULATOR, L. SIDE
1	6	IM-113	INNER INSULATOR, BOTTOM
1	5	IM-121	INNER INSULATOR, REAR
8	4	LWE10MRN	WASHER, LOCK
8	3	SCBP1032BN4	SCREW, MACHINE
4	2	PX-162	SPACER, SHELL
1	1	MS-333	OVEN INNER SHELL

REQ. ITEM	PART NO.	DESCRIPTION	SYMBOL
THE TECHNICAL MATERIEL CORP. MAMARONECK, NEW YORK			
INNER SHELL, OVEN AND OSCILLATOR ASSY. VOX			
MATERIAL		WEIGHT PER PC	
TYPE & TEMPER		W.A.F.	
HEAT TREAT. SPEC.		CHECKED	FINAL APPROVAL
FINISH & SPEC. NO.		SHEET 2 OF 3	

1	VOX-1,2			7-2-62
1	VOX	101		7-2-62
REQ. PER UNIT	MODEL	PROJECT NO.	ASSY. NO.	DATE
USED ON				

IT19 WAS SFB0632BN4 SEE SH 1 & 3	4/16/62	17811	WAF	
DEL. 2 CABLES ON STEP 3	8-11-63	10295		
SEE SHEET 3 OF 3	6-28-63	9361		
ISSUE	ITEM	CHANGED FROM	DATE	CN. NO. DRAFTS
TOLERANCES		SCALE:		
ALL OTHERS	DEC. DIM. ± FRAC. DIM. ± ANGULAR DIM. ±	DRILL PUNCH, COMMERCIAL STOCK SIZES AND MANUFACTURERS TOLERANCES ARE NOT INCLUDED.		

AO-107