

REQ. PER UNIT	MODEL	USED ON
1	GPT-40K	ASSTY. NO. AT-101
		DATE 4-8-60

AM-112

ELECTRICAL SPECIFICATION:

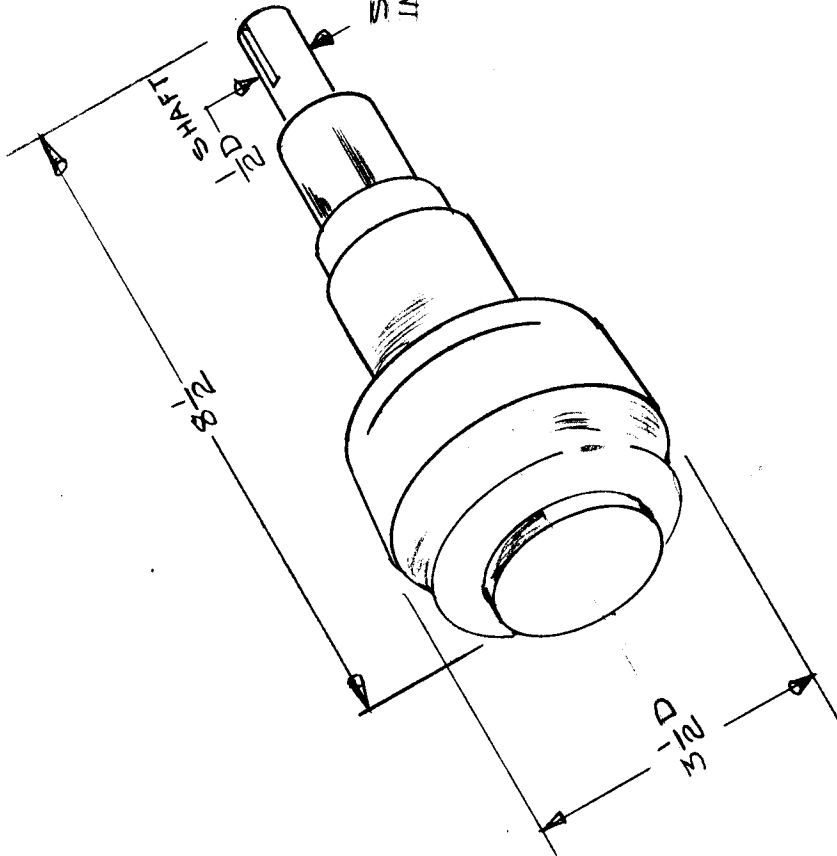
12-500  $\mu$ WFD  
 15 KILO VOLT (PEAK)  
 CURRENT RATING - 4.5 AMPS RMS.  
 MTG. DATA  
 6  $\frac{3}{16}$ " DIA. HOLES AT 60° APART  
 ON 2  $\frac{3}{4}$ " DIA. CIRCLE (FOR MTG.  
 FLANGE - NOT P/O THIS ITEM).  
 CAPACITOR, VARIABLE VACUUM  
 W/SHAFT.

NOTICE TO PERSONS RECEIVING THIS DRAWING

THE TECHNICAL MATERIEL CORPORATION claims  
 proprietary right in the material disclosed herein.  
 This drawing is issued in confidence for engineering  
 information only and may not be reproduced or used  
 by manufacturers without written permission from  
 THE TECHNICAL MATERIEL CORPORATION.  
 No liability is assumed for mutual  
 assistance or for any other purpose.

THE TECHNICAL MATERIEL CORPORATION  
 1000 BROADWAY  
 NEW YORK, N.Y. 10018

SHAFT PINNED  
 IN PLACE



REQ. ITEM	PART NO.	DESCRIPTION	SYMBOL
		THE TECHNICAL MATERIEL CORP.	
		MAMARONECK, NEW YORK	
		CAPACITOR ASSY VARIABLE	
		VACUUM	
ISSUE ITEM	CHANGED FROM	DATE	CH. NO.
TOLERANCES			
SCALE: 2A-1861			
MAXIMUM ALLOWABLE TOLERANCES HAVE BEEN DETERMINED AND ANY DEVIATIONS WILL BE CAUSE FOR REJECTION. REMOVE ALL BURRS AND SHARP EDGES			
DEC. DIM. $\pm$			
FRAC. DIM. $\pm$			
ANGULAR DIM. $\pm$			
TYPE & TEMPER	HEAT TREAT. SPEC.	DRAWN	CHECKED
FINISH & SPEC. NO.		ELEC. DES. APP. MECH. DES. APP.	
		AM-112	