

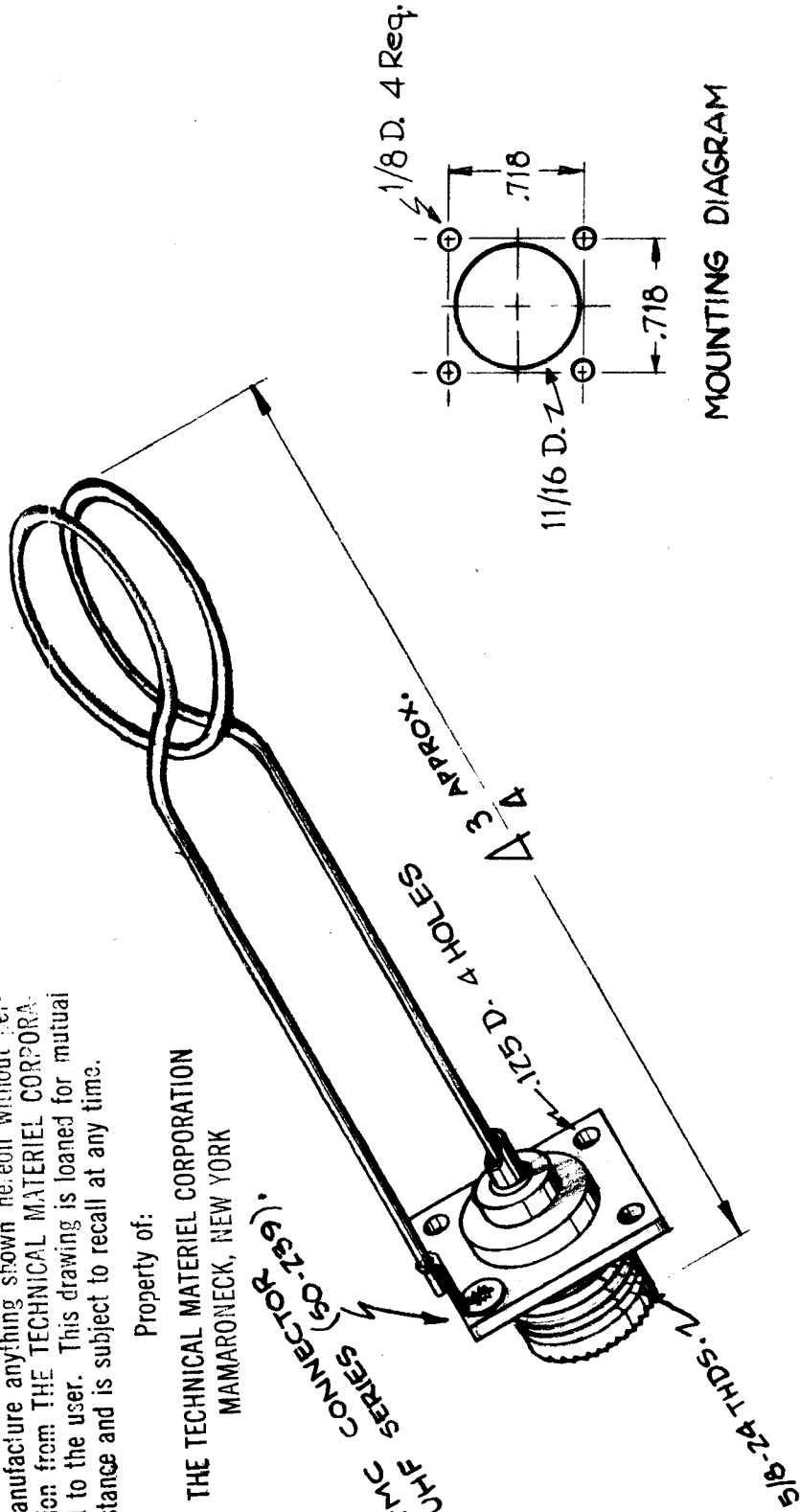
NOTICE TO PERSONS RECEIVING THIS DRAWING

THE TECHNICAL MATERIEL CORPORATION claims proprietary right in the material disclosed herein. This drawing is issued in confidence for engineering information only and may not be reproduced or used to manufacture anything shown hereon without permission from THE TECHNICAL MATERIEL CORPORATION to the user. This drawing is loaned for mutual assistance and is subject to recall at any time.

Property of:

THE TECHNICAL MATERIEL CORPORATION
MAMARONECK, NEW YORK

TMC CONNECTOR (50-239)
1/8" SERIES (50-239)



MOUNTING DIAGRAM

AJ-101

DATE 6-9-60
GPT-AX-209

REQ. ITEM	PART NO.	DESCRIPTION	SYMBOL
		THE TECHNICAL MATERIEL CORP.	
		MAMARONECK, NEW YORK	
		RF CONNECTOR PROBE	
		DRAWN	CHECKED
		TYPE & TEMPER	HEAT TREAT. SPEC.
		MATERIAL	
		STOCK SIZE	
		FINISH & SPEC. NO.	
		ELEC. DES. APP.	MECH. DES. APP.
ISSUE ITEM	CHANGED FROM	TOLERANCES	
		SCALE: 1A-1911	
		DATE CH. NO. DRAFTS CHECKER ENG. APP.	
		MAXIMUM ALLOWABLE TOLERANCES HAVE BEEN DETERMINED AND ANY DEVIATIONS WILL BE CAUSE FOR REJECTION. REMOVE ALL BURRS AND SHARP EDGES	
DEC. DIM. ±			
FRAC. DIM. ±			
ANGULAR DIM. ±			