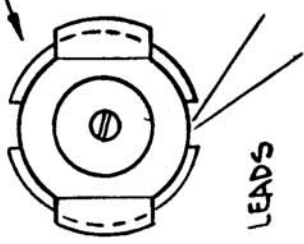


REQ. PER UNIT: 1
 MODEL: CMRA-1
 ASSY. NO.: A4218
 DATE: 5-7-65
 USED ON: AC212 A

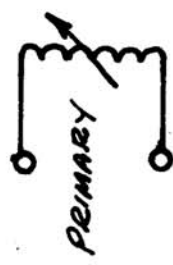
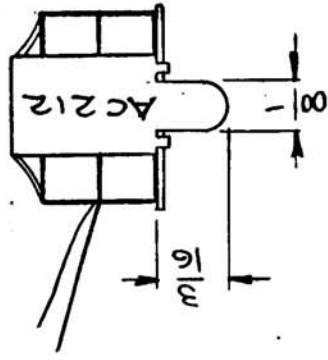
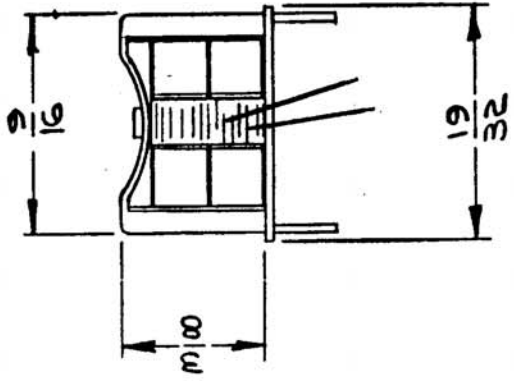
ELECTRICAL SPECIFICATIONS (W/SLUG)
 OPERATING FREQUENCY:
 INDUCATNCE @ 250 KC
 PRIMARY 5.2MH ± .15MH
 SECONDARY: NOT RATED
 "Q" (PRIMARY) @ 250 KC MIN .80

MECHANICAL SPECIFICATIONS
 TURNS
 PRIMARY: 2/8
 RETAINER, BOTTOM: BRASS CAD PLATED
 RETAINER, TOP: NICKEL SILVER H/H
 MATERIAL:
 CORE & SLUG: FERRITE

STAMP TMC PART NO.,
 3/32 HIGH GOTHIC, WITH
 LATEST REVISION LETTER.



PRIMARY LEADS



REQ. ITEM	PART NO.	DESCRIPTION	SYMBOL
		THE TECHNICAL MATERIEL CORP. MAMARONECK. NEW YORK	
		COIL, RF, ADJ.	
		SYN - B - L 2	
		H. AUSTIN DRAWN	5/14/65
		PP 5/14/65	5/14/65
		TYPE & TEMPER	CHECKED
		HEAT TREAT. SPEC.	FINAL APPROVAL
		FINISH & SPEC. NO.	AC212 A
		ELEC. DES. APP.	MECH. DES. APP.

SYM	DESCRIPTION	DATE	CH. NO.	DRAFTS	CHECKER	ENG. APP.
A	1. PRI. WAS 7.5MH PRI. TURNS WAS 270	8/19/65	14636	H.V.	PP	MINN
X	EXPER. RELEASE	5-7-65	X	HLL		
	UNLESS OTHERWISE SPECIFIED DIMENSIONS ARE IN INCHES AND INCLUDE CHEMICALLY APPLIED OR PLATED FINISHES					
	TOLERANCES					
	FRACTIONS					
	DECIMALS					
	ANGLES					
	SCALE	2:1				
	CODE	A				
						2A4257