

THE CONTENTS OF THIS DRAWING ARE THE EXCLUSIVE PROPERTY OF THE TECHNICAL MATERIEL CORP. ITS UNAUTHORIZED USE OR REPRODUCTION IN WHOLE OR IN PART IS STRICTLY FORBIDDEN.

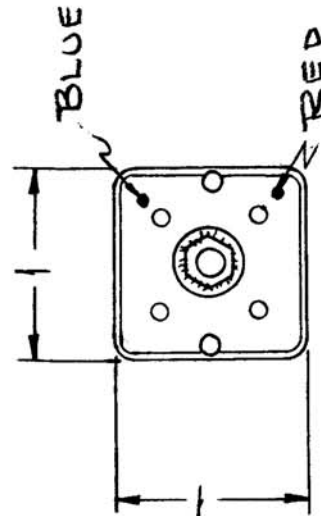
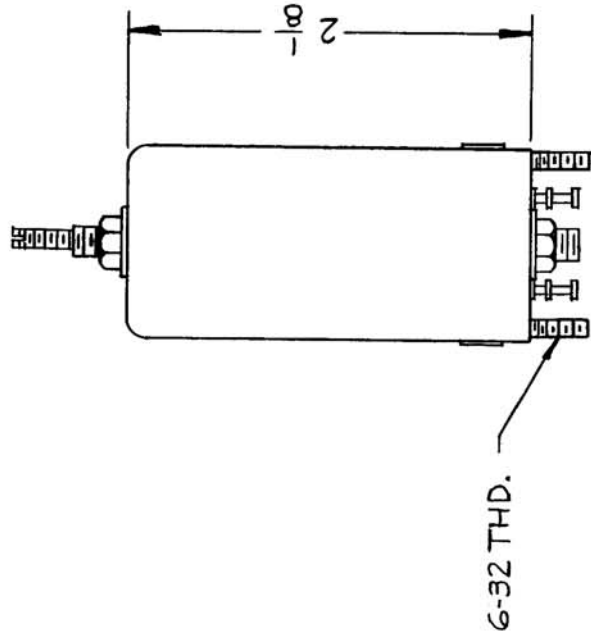
REQ. PER UNIT
1

MODEL
HFR-1/N

USED ON
ASS'Y. NO.
DATE
12-8-61

AC-145

B



MODEL	REQ.	FUNCTION	OPER. FREQ.	SYMBOL
HFR-1	1	RF COIL	1.75MC	L1203

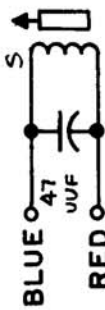
ELECTRICAL SPEC.

PRIMARY
IND - 101-111μH
Q - 40
FREQ - 790Kc

MECHANICAL SPEC.

CASE - ALUMINUM
FINISH.
TERM. BD. - PHENOLIC

SCHEMATIC DIAGRAM



S - INDICATES START OF WINDING

REQ. ITEM	PART NO.	DESCRIPTION	SYMBOL
		THE TECHNICAL MATERIEL CORP. MAMARONECK, NEW YORK	
		COIL, RF, TUNED	
		MATERIAL	
		TYPE & TEMPER	
		HEAT TREAT. SPEC.	
		DRAWN	
		CHECKED	
		FINAL APPROVAL	
		FINISH & SPEC. NO.	
		ELEC. DES. APP.	
		MECH. DES. APP.	
		AC-145	B

SCALE: 2A-2252

UNLESS OTHERWISE SPECIFIED:
DIMENSIONS ARE IN INCHES
TOLERANCES ON
FRAC. ± 1/64 DEC. ± .005 ANGLES ± 1/2°

MAXIMUM ALLOWABLE TOLERANCES HAVE BEEN DETERMINED AND ANY DEVIATIONS WILL BE CAUSE FOR REJECTION.
REMOVE ALL BURRS AND SHARP EDGES