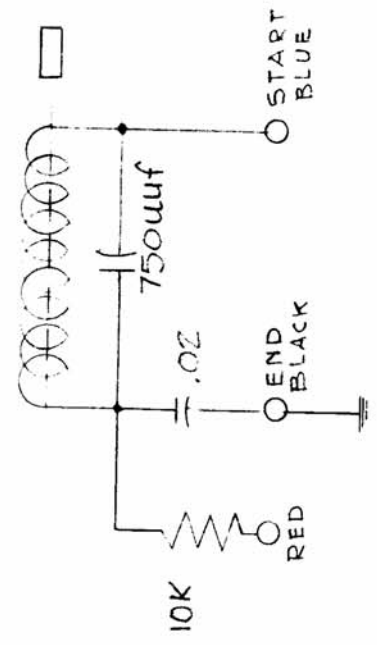
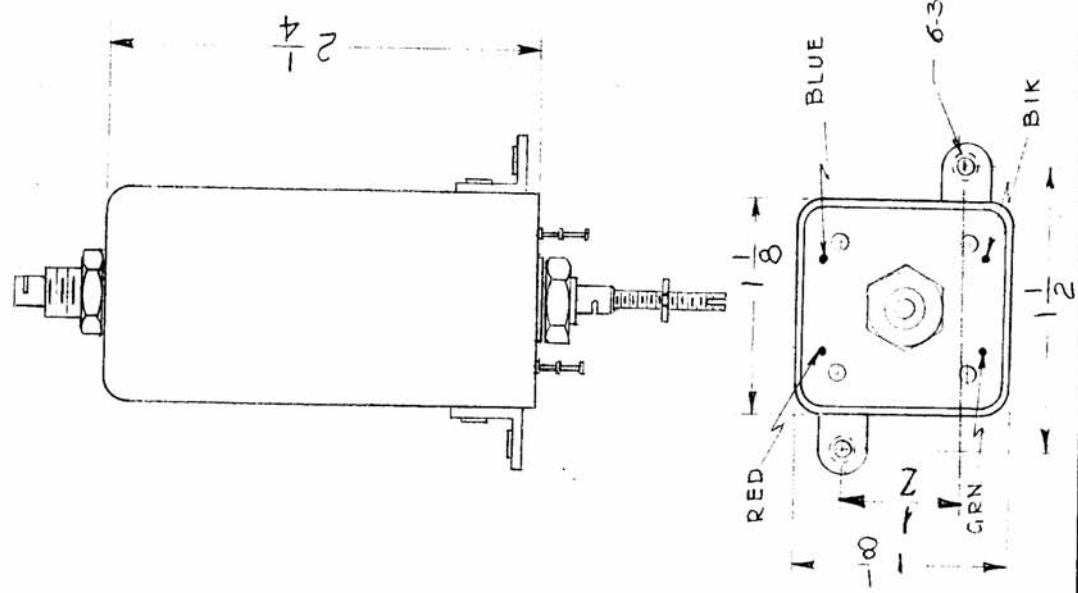


REQ. PER. UNIT	1	USED ON	AC-117
MODEL	CMO	ASSY. NO.	
		DATE	10-6-1960

MODEL	CMO	REQ	!	LOCATIONAL FUNCTION	V309 PLATE COIL	OPER FREQ	515KC	SYM	T30B
-------	-----	-----	---	---------------------	-----------------	-----------	-------	-----	------

L - 96 uh
Q - 75 or Greater
Test Fr - 790KC



ISSUE ITEM	CHANGED FROM	DATE	CH. NO.	DRAFTS	CHECKER	ENG. APP.	REQ. ITEM	PART NO.	DESCRIPTION	SYMBOL
TOLERANCES									THE TECHNICAL MATERIEL CORP.	
DEC. DIM. ±									MAMARONECK, NEW YORK	
FRAC. DIM. ±									COIL, RF, TUNED	
ANGULAR DIM. ±										
MAXIMUM ALLOWABLE TOLERANCES HAVE BEEN DETERMINED AND ANY DEVIATIONS WILL BE CAUSE FOR REJECTION. REMOVE ALL BURRS AND SHARP EDGES										
SCALE: 2A-1867										
FINISH & SPEC. NO.										
HEAT TREAT. SPEC.										
TYPE & TEMPER.										
DRAWN										
CHECKED										
FINAL APPROVAL										AC-117