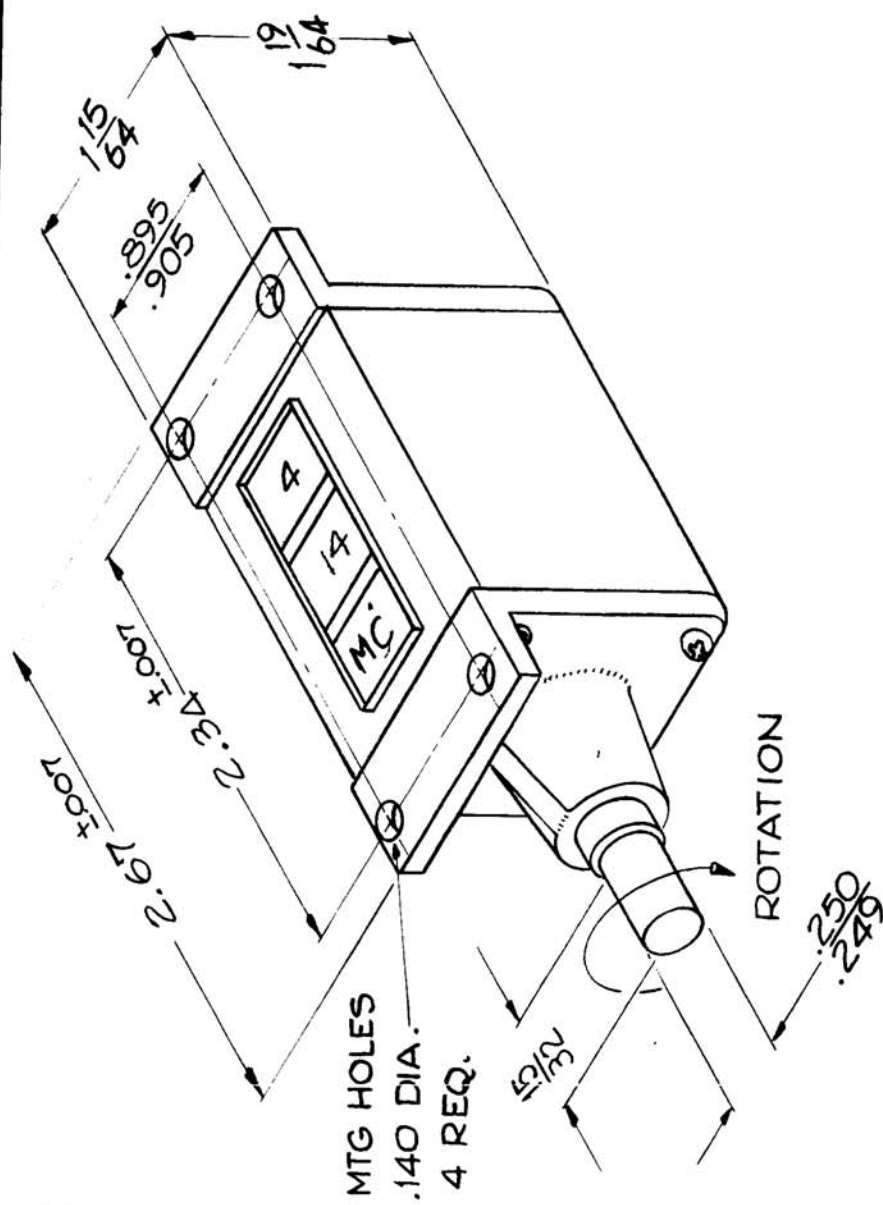


REQ. PER UNIT	USED ON	MODEL	DATE
1	ASBY. NO.	GPT-40K AT-101	2-4-60

AC-110 A



SPECIFICATIONS ~
 PLAIN BEARING TYPE
 NON RESET
 READINGS ~
 POSITION 1 ~ 4 - 14 MC
 2 - BLANK
 3 - 14 - 20 MC
 4 - 20 - 28 MC

REQ. ITEM	PART NO.	DESCRIPTION	SYMBOL
		THE TECHNICAL MATERIEL CORP. MAMARONECK, NEW YORK	
		COUNTER, ANTENNA TUNER	
		J.C. Biele	JCB
		DRAWN	CHECKED
		HEAT TREAT. SPEC.	FINAL APPROVAL
		FINISH & SPEC. NO.	AC-110 A
		ELEC. DES. APP	MECH. DES. APP

ISSUE ITEM	CHANGED FROM	DATE	CH. NO.	DRAFTS	CHECKER	ENG. APP.
A	POS. REVISED	4/7/60	2010	JCB	JCB	JCB

TOLERANCES	SCALE: 4A-1825
DEC. DIM. ±	MAXIMUM ALLOWABLE TOLERANCES HAVE BEEN DETERMINED AND ANY DEVIATIONS WILL BE CAUSE FOR REJECTION. REMOVE ALL BURRS AND SHARP EDGES
FRAC. DIM. ±	
ANGULAR DIM. ±	