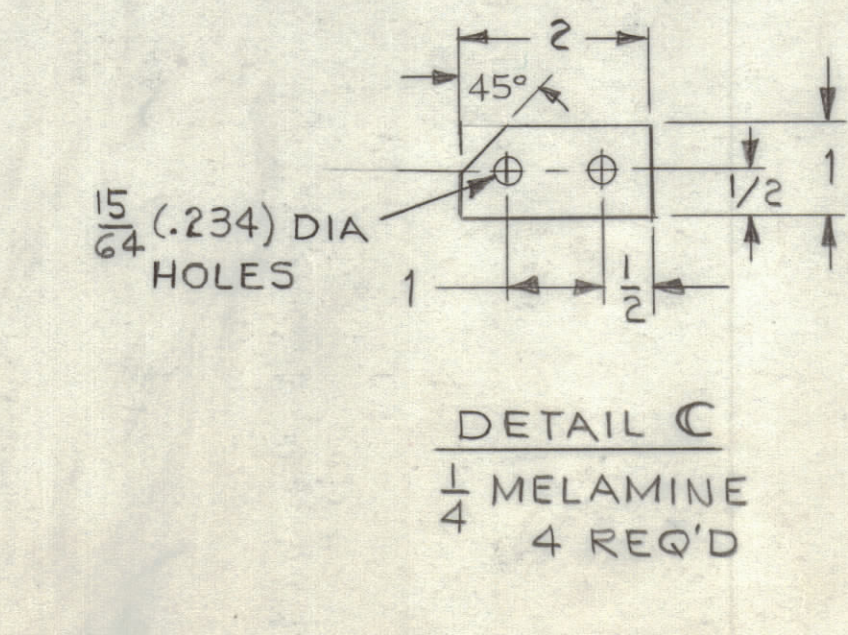
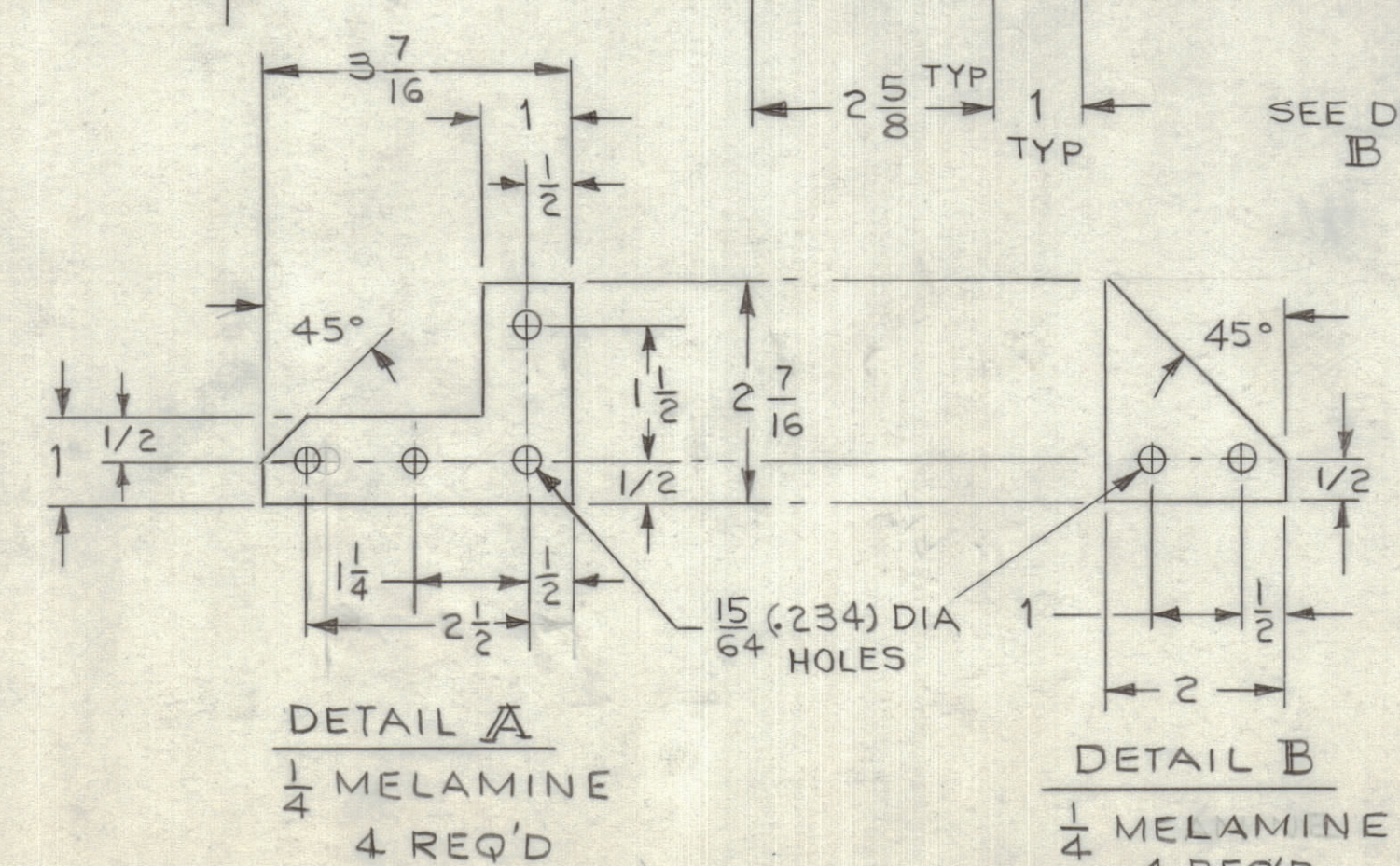
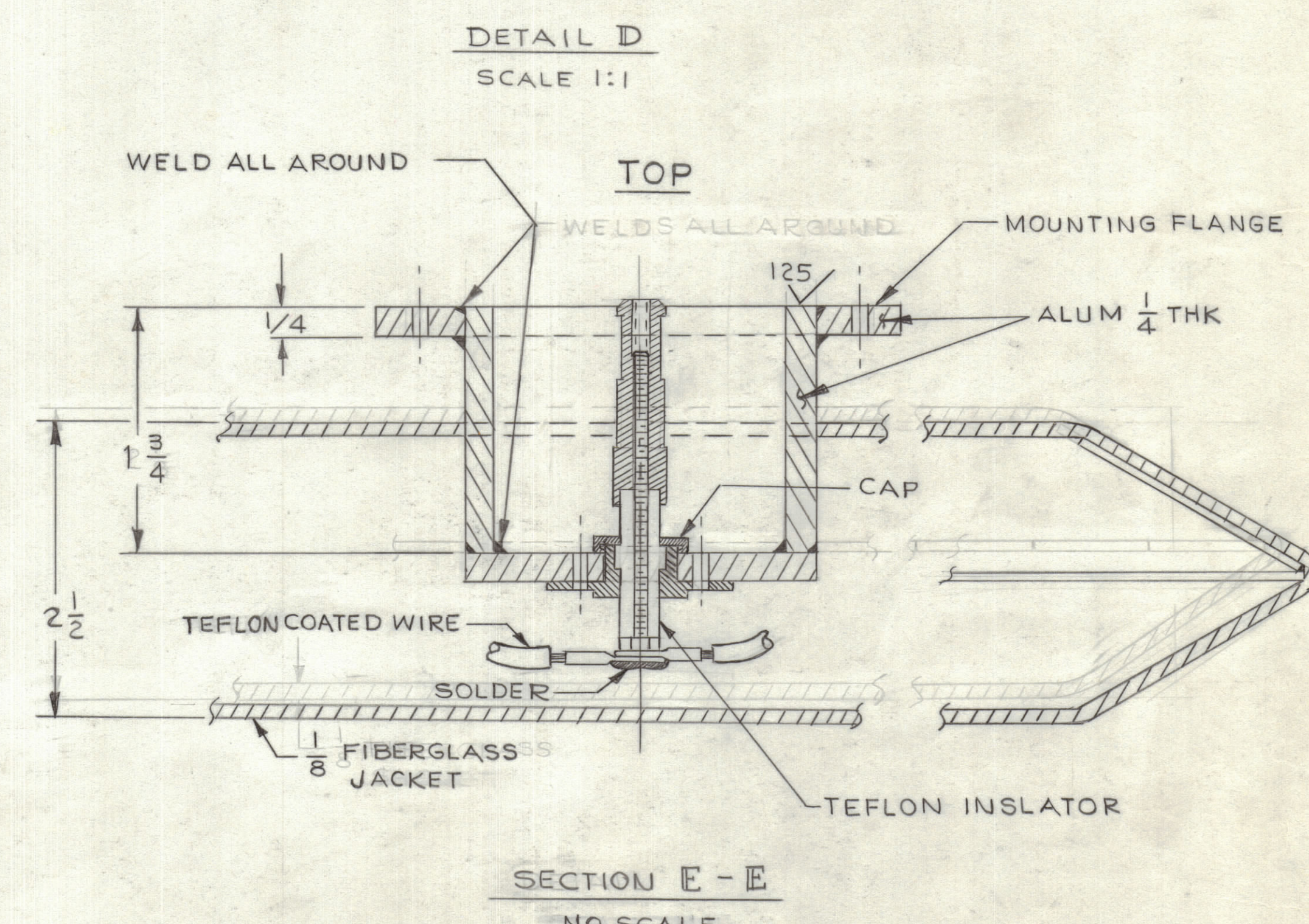
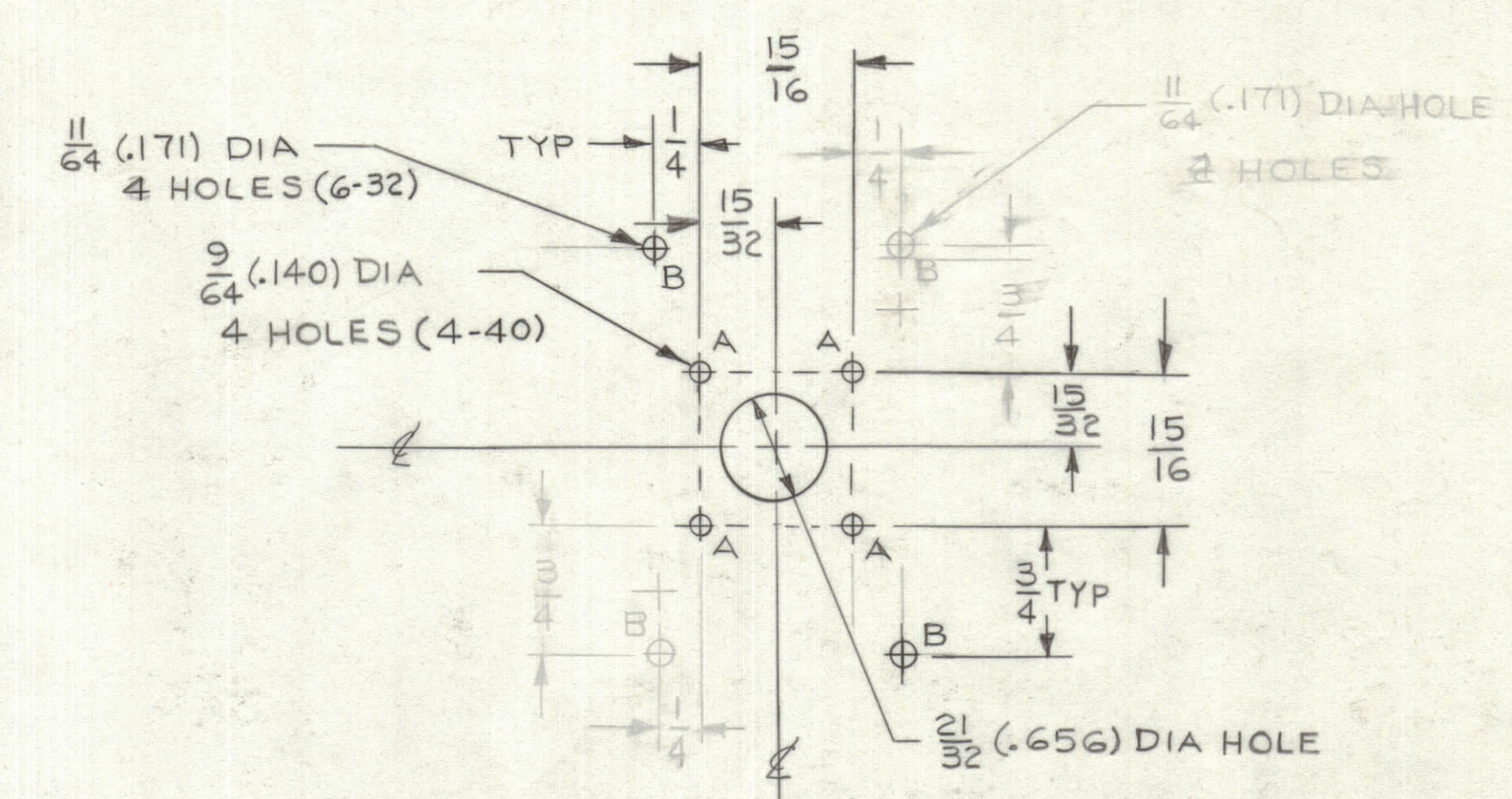
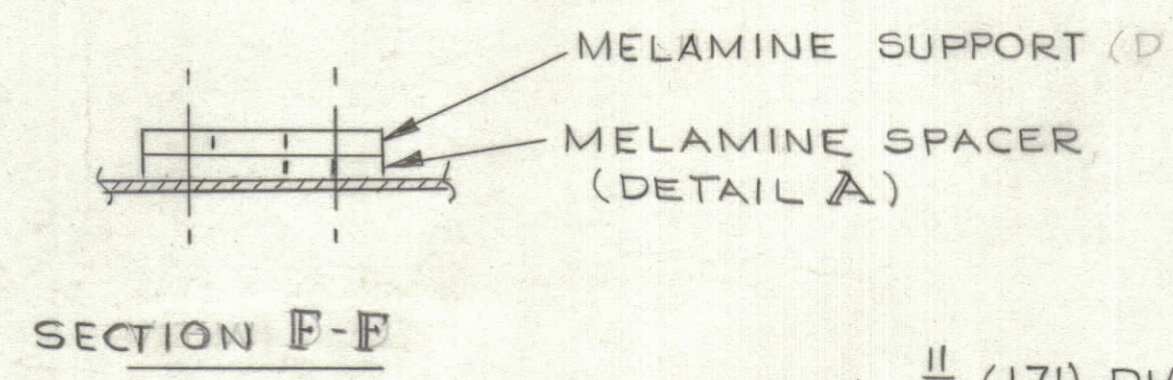
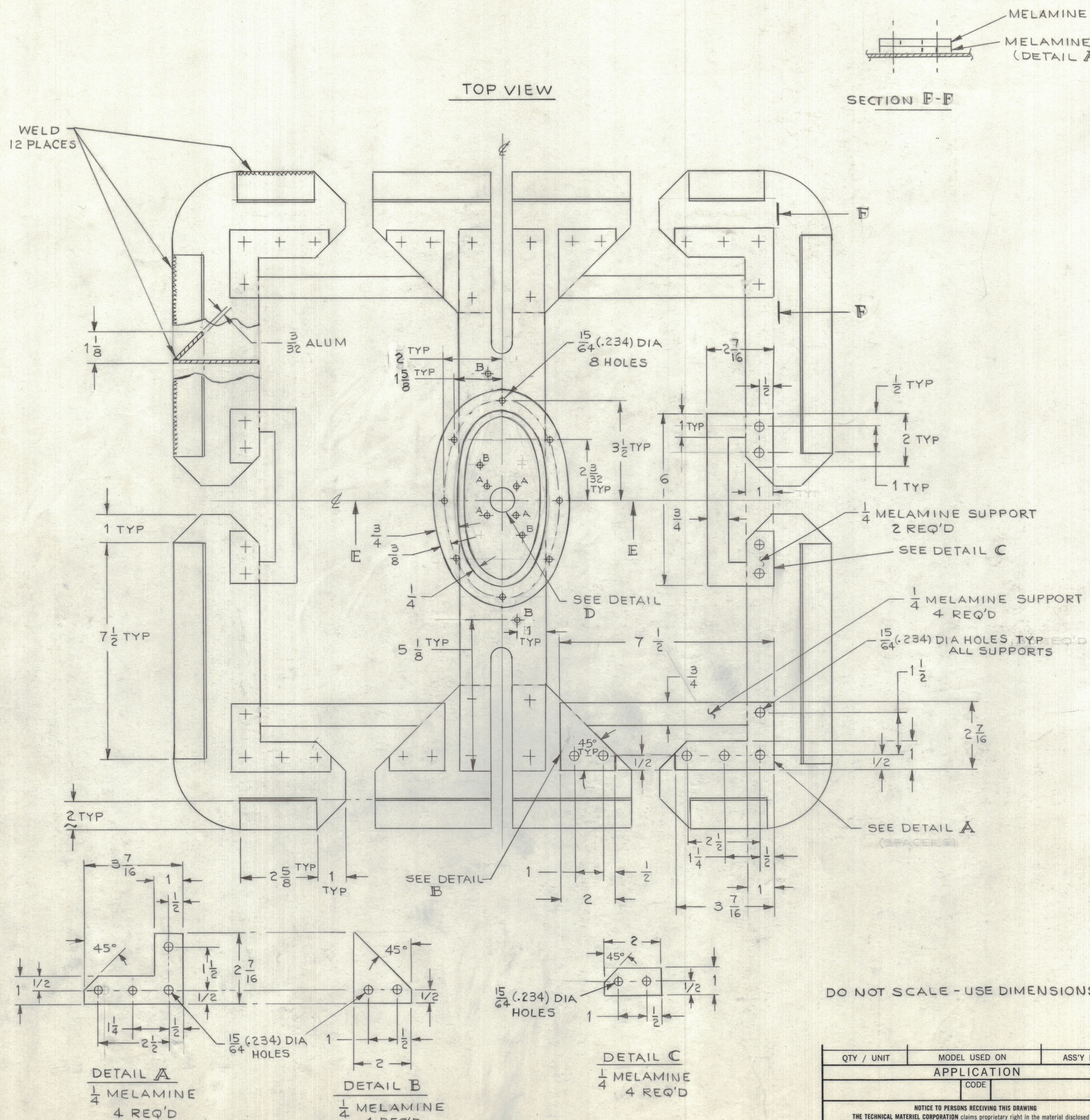


ZONE		LTR		DESCRIPTION		DATE		E.M.N. NO.		DRAFT		CHKD		APPD	
				ORIGINAL RELEASE FOR PRODUCTION		5/26/67		4		GE					



DO NOT SCALE - USE DIMENSIONS

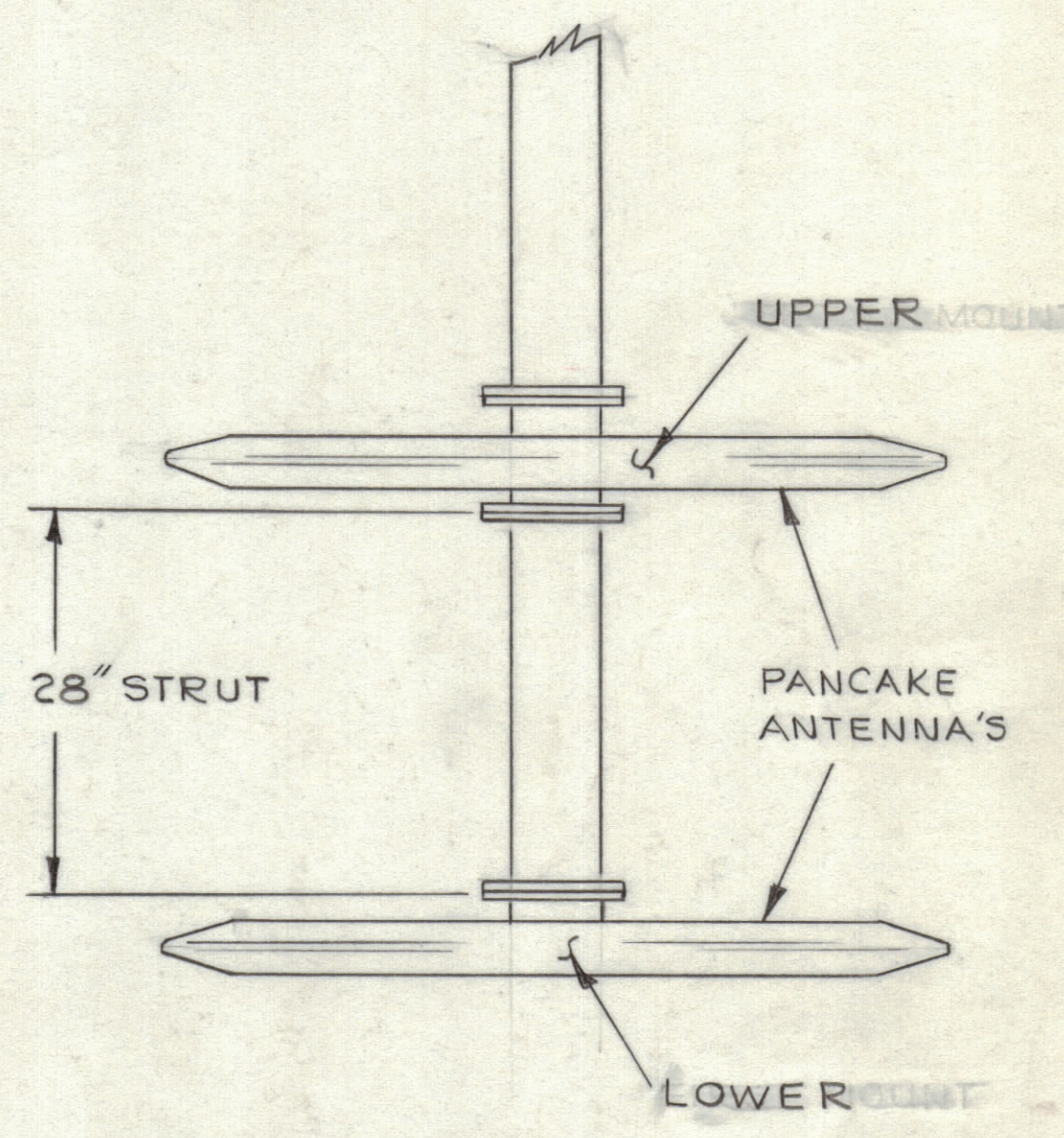
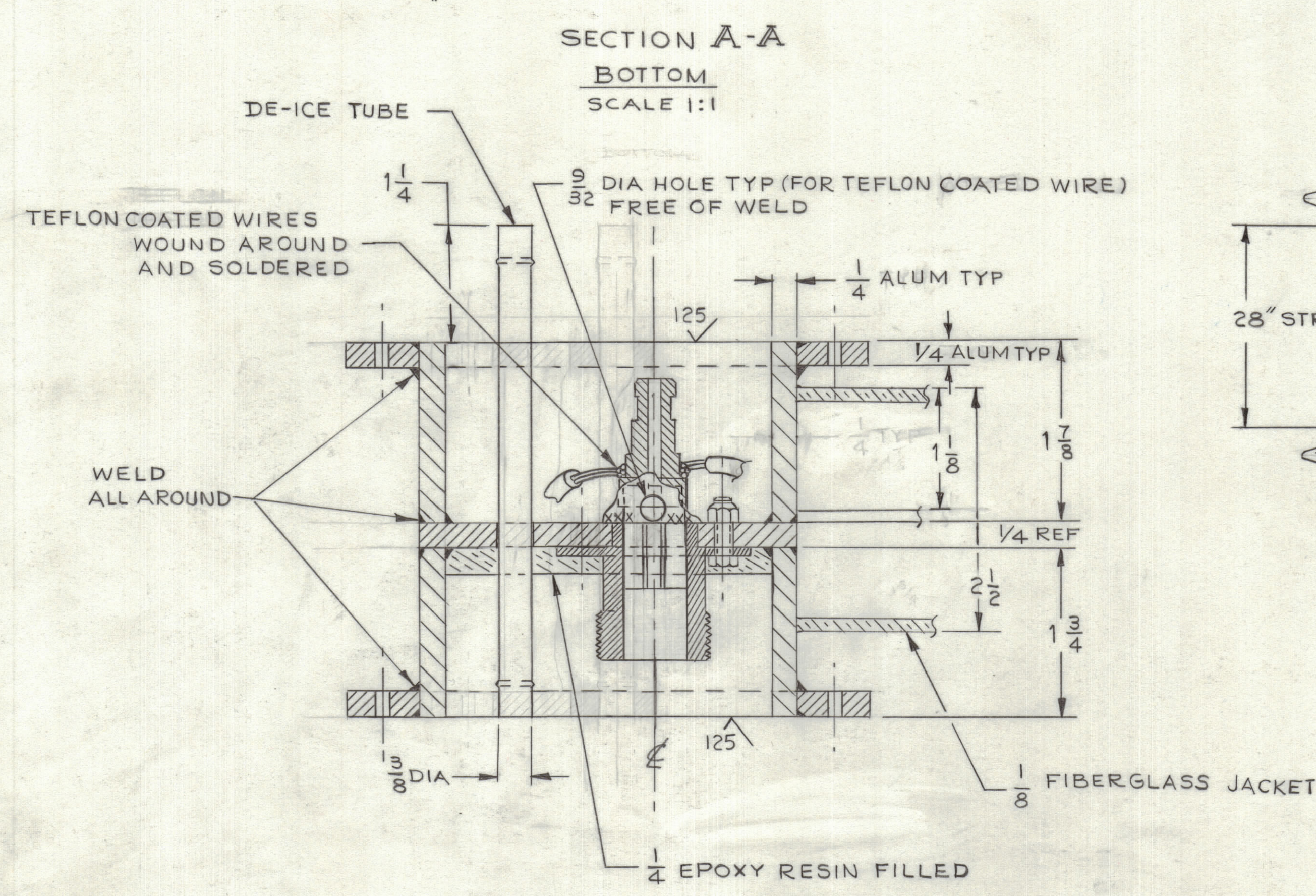
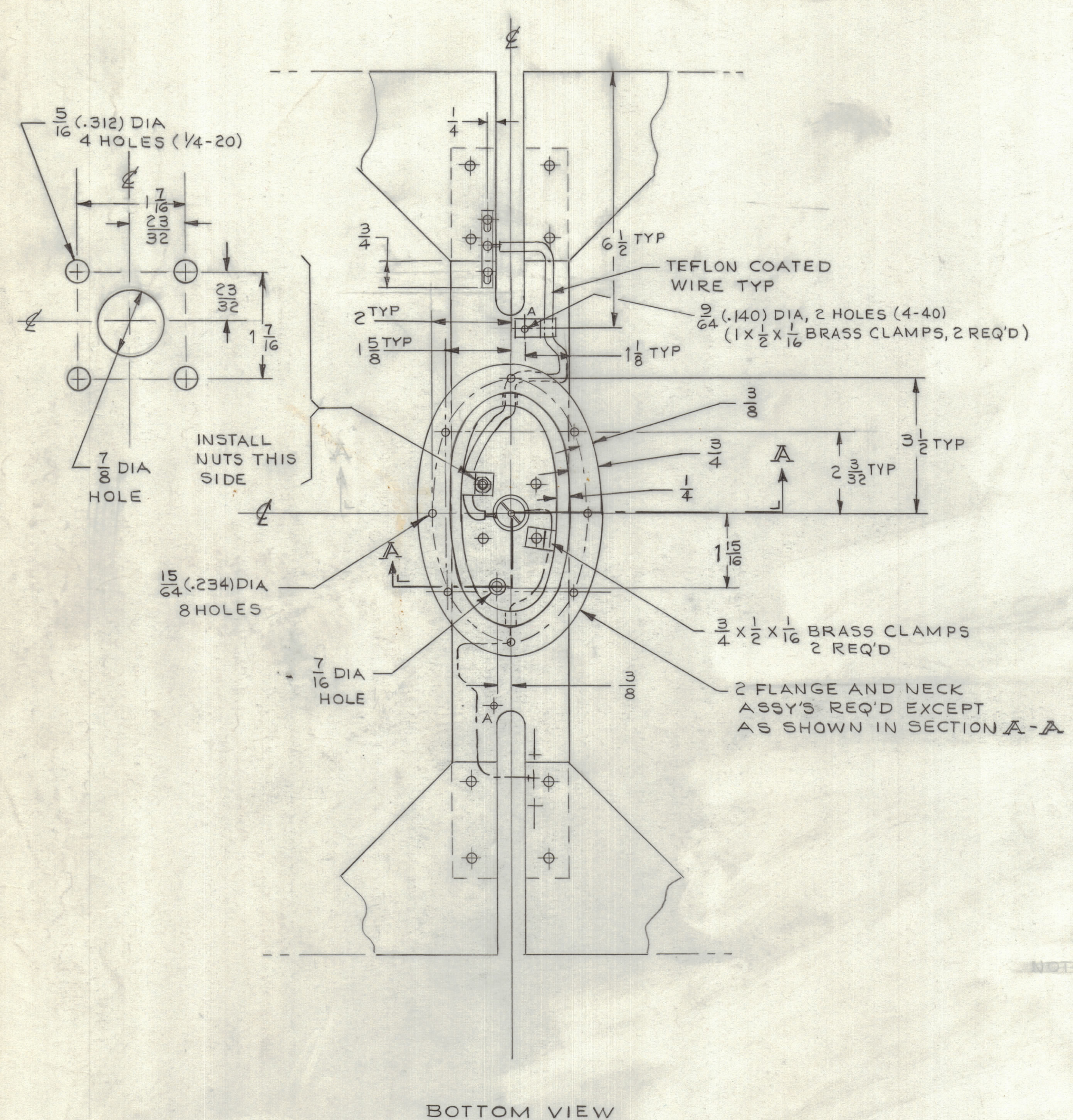
QTY / UNIT	MODEL USED ON	ASSY NO.
APPLICATION		
CODE		

TOLERANCES ON	
DECIMALS	FRACTIONS
.X ± .05	± 1/64
.XX ± .01	ANGLES
.XXX ± .005	± 0° - 30'

QTY. REQ.	ITEM	PART NO.	DESCRIPTION	SYMBOL
LIST OF MATERIAL				
FINAL APPROVAL		DATE	THE TECHNICAL MATERIEL CORP.	
MECH. DES. <i>JRM</i>		5/19/69	MAMARONECK, NEW YORK	
ELECT. DES.		DATE	PANCAKE ANTENNA	
CHECKED		DATE	LOWER	
DRAWN <i>Amiska</i>		DATE		
MATERIAL		SIZE	CODE IDENT. NO.	DWG NO.
FINISH		D	82679	AA8001
		SCALE	1/2	SHEET 2 OF 3

NOTICE TO PERSONS RECEIVING THIS DRAWING
 THE TECHNICAL MATERIEL CORPORATION claims proprietary right in the material disclosed hereon. This drawing is issued in confidence for engineering information only and may not be reproduced or used to manufacture anything shown hereon without permission from THE TECHNICAL MATERIEL CORPORATION to the user. This drawing is loaned for mutual assistance and is subject to recall at any time.

ZONE		LTR	DESCRIPTION	DATE	E.M.N.NO	DRAFT	CHKD	APPD
		0	ORIGINAL RELEASE FOR PRODUCTION	5/28/69	4	GE		



NOTE: UPPER ANTENNA IDENTICAL TO LOWER ANTENNA, EXCEPT AS SHOWN.

QTY / UNIT	MODEL USED ON	ASSY NO.
APPLICATION		
CODE		
NOTICE TO PERSONS RECEIVING THIS DRAWING		
THE TECHNICAL MATERIEL CORPORATION claims proprietary right in the material disclosed hereon. This drawing is issued in confidence for engineering information only and may not be reproduced or used to manufacture anything shown hereon without permission from THE TECHNICAL MATERIEL CORPORATION to the user. This drawing is loaned for mutual assistance and is subject to recall at any time.		

UNLESS OTHERWISE SPECIFIED DIMENSIONS ARE IN INCHES AND INCLUDE CHEMICALLY APPLIED OR PLATED FINISHES	
TOLERANCES ON	
DECIMALS	FRACTIONS
.X ± .05	± 1/64
.XX ± .01	ANGLES
.XXX ± .005	± 0° -30'
MATERIAL	
FINISH	

QTY. REQ.	ITEM	PART NO.	DESCRIPTION	SYMBOL
LIST OF MATERIAL				
FINAL APPROVAL	DATE	THE TECHNICAL MATERIEL CORP.		
MECH. DES.	5/19/69	MAMARONECK, NEW YORK		
ELECT. DES.	DATE	PANCAKE ANTENNA		
CHECKED	DATE	UPPER		
DRAWN	DATE			
Amiska	12-9-67	SIZE	CODE IDENT. NO.	DWG NO.
		D	82679	AA8001
		SCALE	1/2	SHEET 3 OF 3