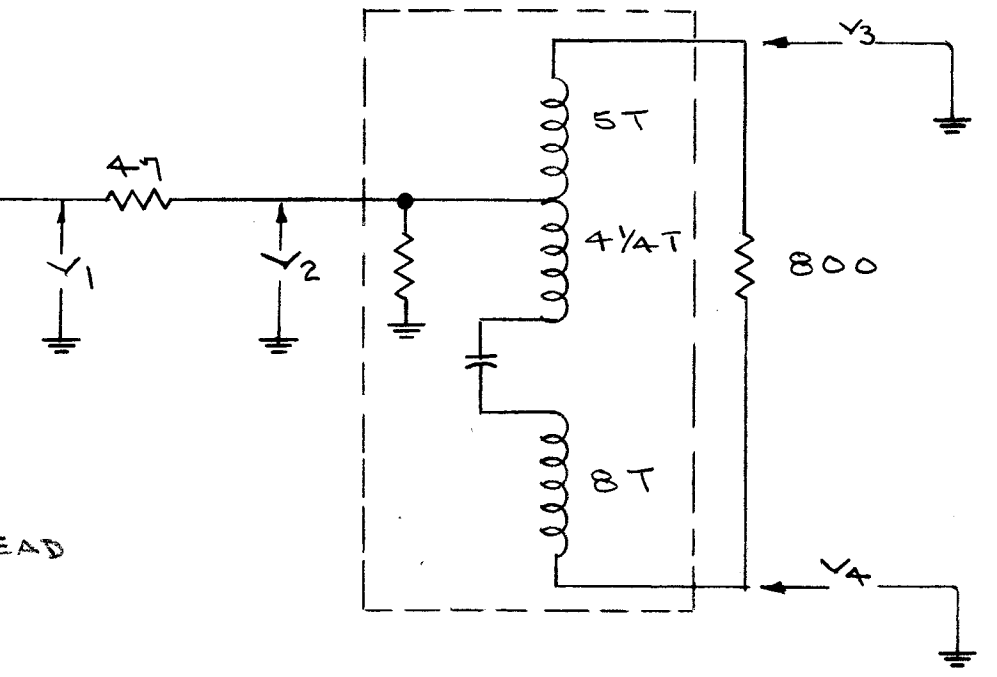
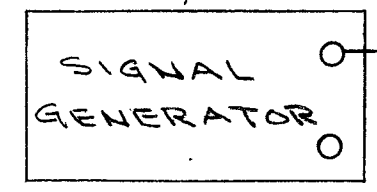
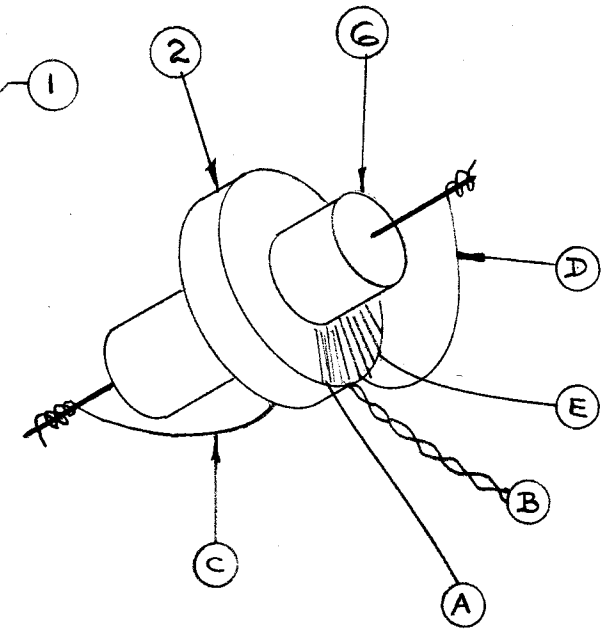
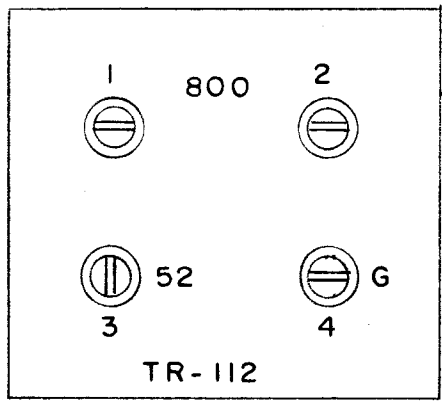


IF IT IS FOUND DESIRABLE TO CHANGE ANY TOLERANCE OR OTHER DETAIL SPECIFIED ON THIS DRAWING NOTIFY THE PURCHASER PROMPTLY.

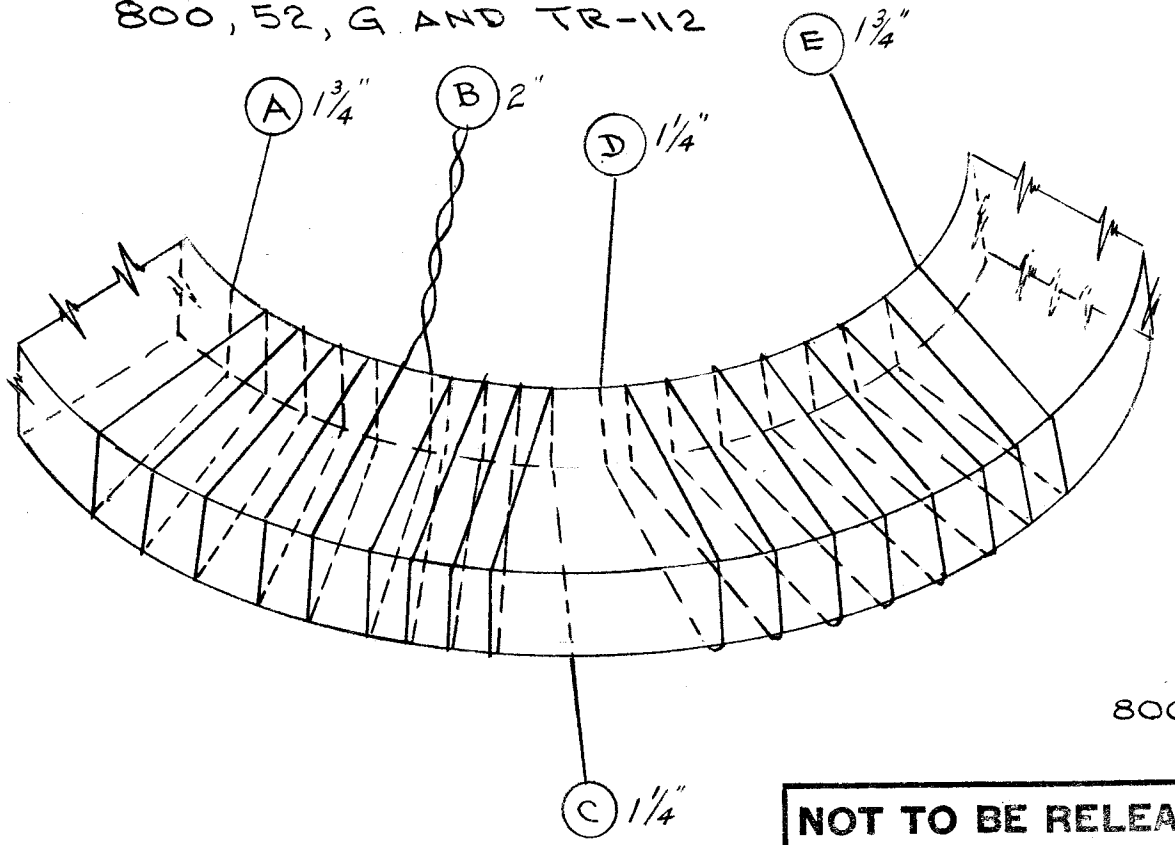
MAXIMUM ALLOWABLE TOLERANCES HAVE BEEN DETERMINED AND DEVIATIONS WILL BE CAUSE FOR REJECTION. REMOVE ALL BURRS AND SHARP EDGES

A-988



A TO TERMINAL 2
 B TO TERMINAL 3
 C TO CAPACITOR LEAD
 D TO TERMINAL 4
 E TO TERMINAL 1

STAMP 1/8 HIGH BLACK GOTHIC
 800, 52, G AND TR-112

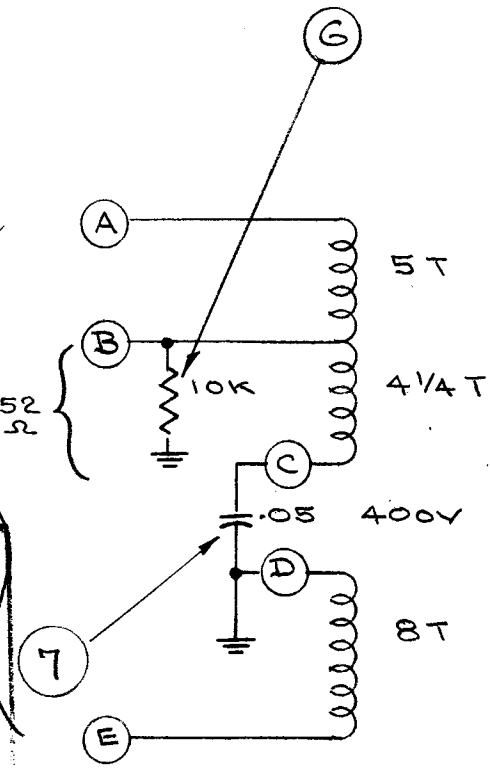


RF VOLTS				
f mc	V ₁	V ₂	V ₃	V ₄
2	1.0	.5	1.2	1.3
8	1.0	.55	1.2	1.3
30	1.0	.7	1.15	1.4

H.P.T.V.M.

FINISH:

S-114 ZINC CHROMATE PRIMER
 S-115 SMOOTH GREY ENAMEL



**NOT TO BE RELEASED
 W/O AUTHORIZATION**
 AUTH. BY.....
 DATE:.....

REQ.	ITEM	PART NO.	DESCRIPTION	SYMBOL
1	7	CN-100-3	CAPACITOR, FIXED	
1	G	RC30GF103K	RESISTOR, FIXED	
X	5	GL-106	PLASTIC COMPOUND	
X	4	BS-100	SOFT, SOLDER	
X	3	WE-102-9	WIRE	
1	2	CI-104	CORE	
1	1	BX-137	CASE, TRANSFORMER	

THE TECHNICAL MATERIEL CORP.
 MAMARONECK, NEW YORK
TRANSFORMER, ASSY.
 TR-112
 DRAWN: *JAD* ELEC. DES. APP. *WJ*
 MECH. DES. APP. *WJ*
 CHECKED: *PP* FINAL APPROVAL: *APP*
 A-988

ISSUE	ITEM	CHANGED FROM	DATE	CN. NO.	DRAFTS	CHECKER	ENG. APP.
TOLERANCES							
SCALE:				DRILL, PUNCH, COMMERCIAL STOCK SIZES AND MANUFACTURERS TOLERANCES ARE NOT INCLUDED.			
ALL OTHERS	DEC. DIM. ±	FRAC. DIM. ±	ANGULAR DIM. ±	1	TR-112	MODEL	PROJECT NO.
				REQ. PER UNIT	ASSY. NO.	DATE	USED ON

1	TR-112	PROJECT NO.	ASSY. NO.	DATE
				4/4/55

FINISH & SPEC. NO.	
--------------------	--