

IF IT IS FOUND DESIRABLE TO CHANGE ANY TOLERANCE OR OTHER DETAIL SPECIFIED ON THIS DRAWING NOTIFY THE PURCHASER PROMPTLY.

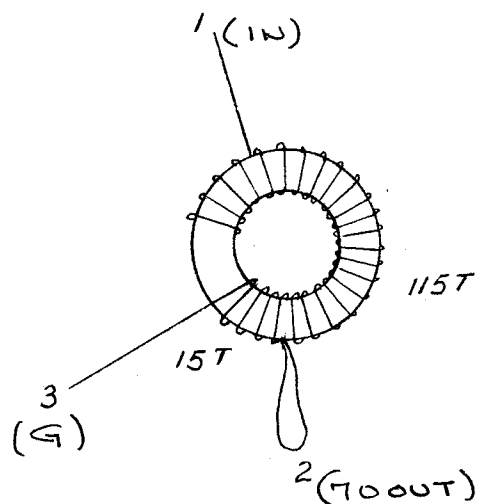
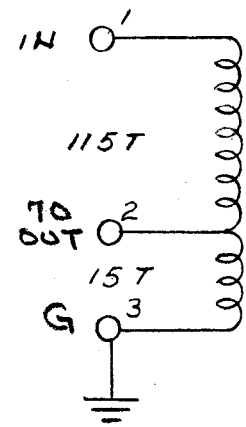
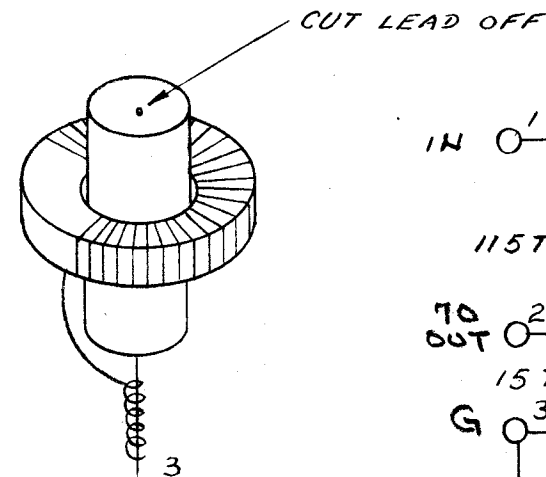
MAXIMUM ALLOWABLE TOLERANCES HAVE BEEN DETERMINED AND DEVIATIONS WILL BE CAUSE FOR REJECTION. REMOVE ALL BURRS AND SHARP EDGES

**NOT TO BE RELEASED
W/O AUTHORIZATION**

AUTH. BY.....

DATE:.....

C
A-951



STARTING AT 3 WIND ON 15 TURNS, TAP AT 2. WIND ON 100 TURNS. THEN DOUBLE BACK FOR 15 TURNS ENDING AT 1.

NOTE:

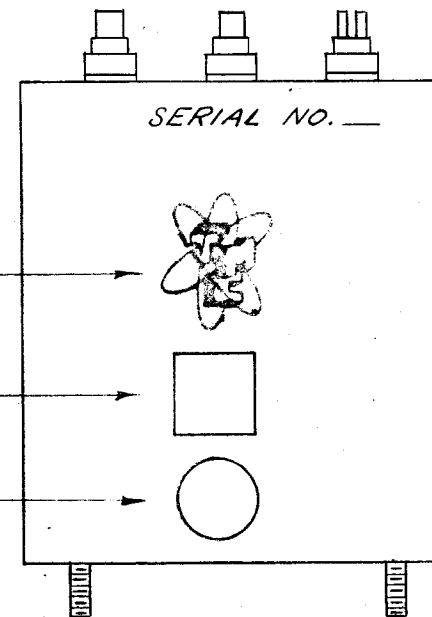
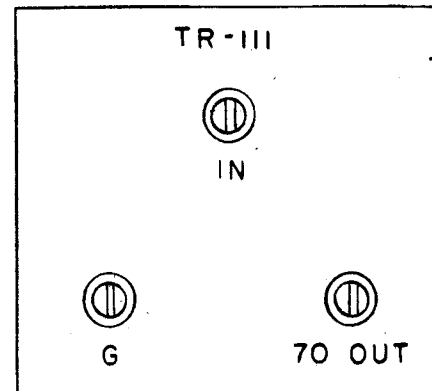
TERMINAL No's (1, 2, 3) ARE FOR WINDING REF ONLY AND ARE NOT TO BE STAMPED ON CAN.

NOTE:

RUBBER STAMP TMC INSIGNA USING NP-117 AS REF.

INSPECTION STAMP

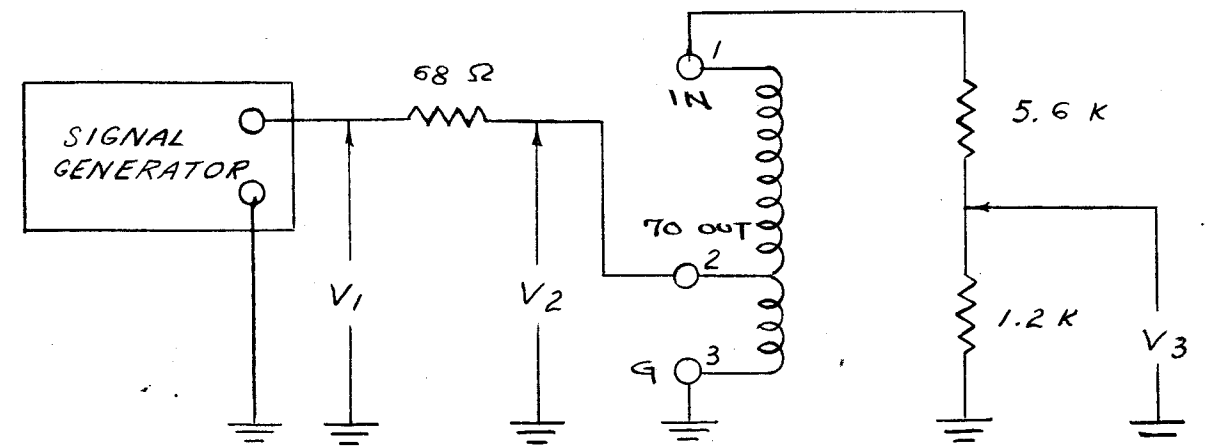
APPROVAL STAMP



STAMP SIDE OF CASE AS ABOVE

NOTE:

S-114 - ZINC CHROMATE PRIMER
S-115 - SMOOTH GRAY ENAMEL
ALL STAMPING AS SHOWN
1/8 HIGH BLACK GOTHIC.



f. kc.	R.F. VOLTS		
	V1	V2	V3
200	1.0	.6	.86
400	1.0	.57	.82
800	1.0	.48	.82

H.P. VTVM

REQ.	ITEM	PART NO.	DESCRIPTION	SYMBOL
	7		DELETED	
	6	CN-100-3	CAPACITOR FIXED	
	5	GL-106	COMPOUND PLASTIC	
	4	BS-100	SOLDER, SOFT	
	3	WI-102-11	WIRE	
	2	CJ-104	CORE	
	1	BX-134	CASE TRANSFORMER	

REQ.	ITEM	PART NO.	DESCRIPTION	SYMBOL
THE TECHNICAL MATERIEL CORP. MAMARONECK, NEW YORK				
CASE TRANSFORMER ASSEMBLY				
MODEL TR-111				
			P.B. 3-8-55	
			DRAWN	ELEC. DES. APP. MECH. DES. APP.
			CHECKED	FINAL APPROVAL
A-951 C				

ISSUE	ITEM	CHANGED FROM	DATE	CN. NO.	DRAFTS	CHECKER	ENG. APP.
C	2	ITEM(1) LD-117 DELETED	9-12-62	7202	RD	Jde	
	1	RUBBER STAMP NOTE ADDED					
B	2	PICTORIALS CLARIFIED	5/11/61	4865	Jde	Jde	
	1	TERMINAL NOTE ADDED					
A	1	POSITION OF LUGS CHAN.	4-13-55	1	P.B.	Jde	

TOLERANCES		SCALE:	
ALL OTHERS	DEC. DIM. ± FRAC. DIM. ± ANGULAR DIM. ±	DRILL, PUNCH, COMMERCIAL STOCK SIZES AND MANUFACTURERS TOLERANCES ARE NOT INCLUDED.	

REQ. PER UNIT	MODEL	PROJECT NO.	ASS'Y. NO.	DATE
1	HLC			3-8-55
USED ON				