

IF IT IS FOUND DESIRABLE TO CHANGE ANY TOLERANCE OR OTHER DETAIL SPECIFIED ON THIS DRAWING NOTIFY THE PURCHASER PROMPTLY.

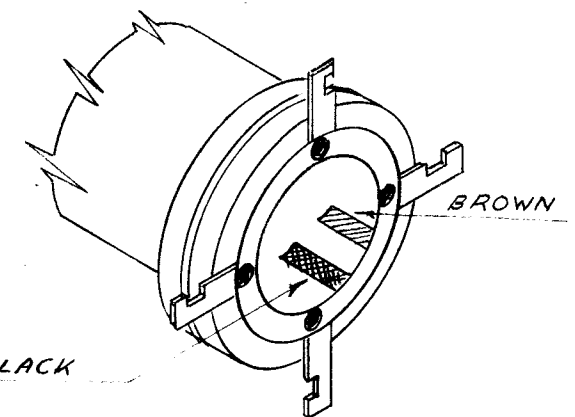
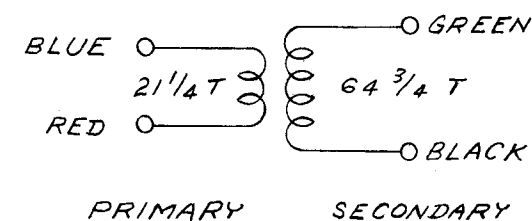
MAXIMUM ALLOWABLE TOLERANCES HAVE BEEN DETERMINED AND DEVIATIONS WILL BE CAUSE FOR REJECTION. REMOVE ALL BURRS AND SHARP EDGES

PRIMARY
LUGS - BLUE - RED
L - 9.0μh (8-10)
Q - 65
F - 2.5 M.C.

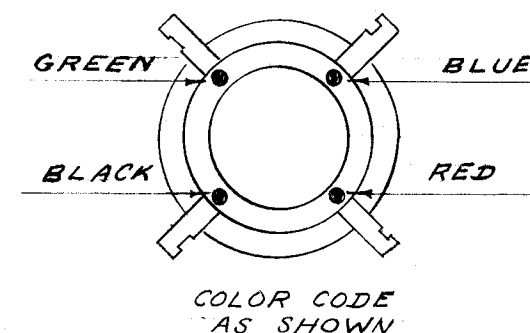
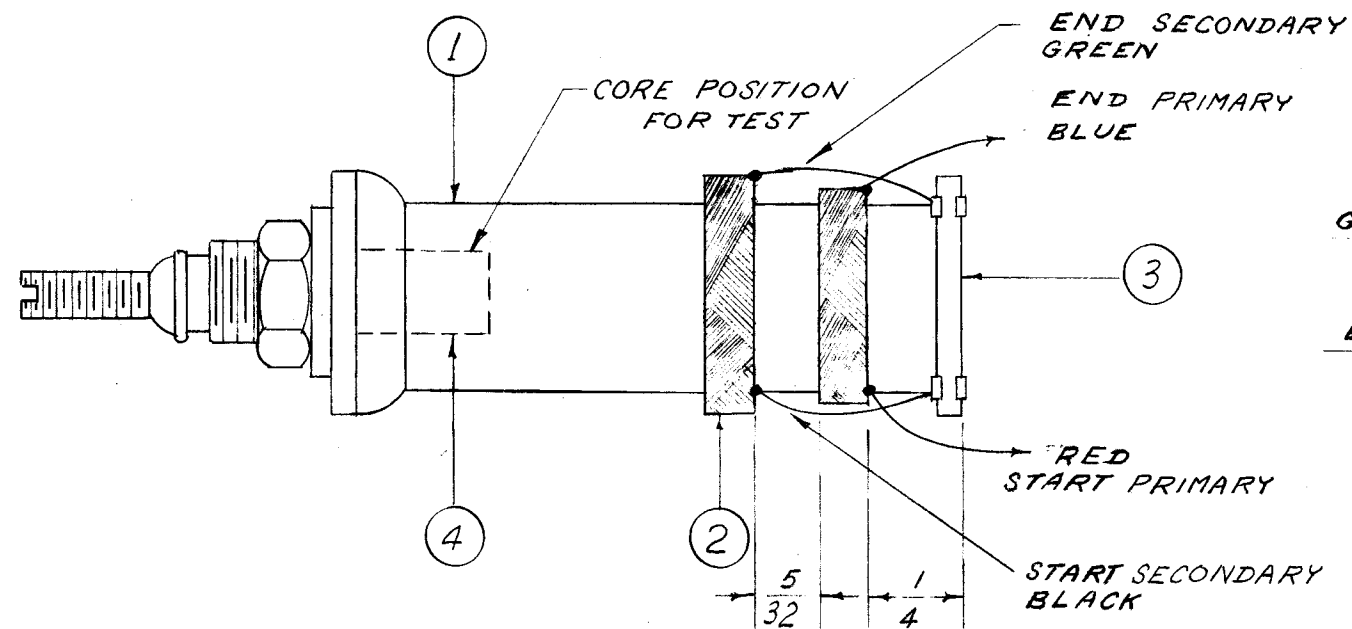
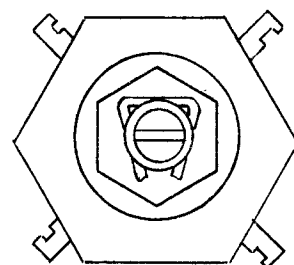
SECONDARY
LUGS - GREEN - BLACK
L - 90μh (85-95)
Q - 50
F - 2.5 M.C.

A-931 B

FREQ. RANGE 485-515 KC



TEST DATA



WINDING DATA - UNIVERSAL WINDINGS
PRIMARY

1. START OPPOSITE RED LUG.
2. WIND ON 2 1/4 TURNS.
3. FINISH ON BLUE LUG.

SECONDARY

1. START OPPOSITE BLACK LUG.
2. WIND ON 64 3/4 TURNS.
3. FINISH ON GREEN LUG

COIL MACHINE DATA

DRIVE GEAR - 95
CAM GEAR - 49
CAM - .125

NOTE: WIRE - 5/41 SNE

1. DAB ENDS OF COIL WITH DUPONT CEMENT (ITEM #6) USING ENOUGH CEMENT TO STAKE THE COIL ENDS FIRMLY TO COIL FORM.
2. BAKE FOR 1/2 hr. AT 150° F.
3. PAINT WITH Q. MAX. - A-27 (ITEM #5).
4. BAKE FOR 1/2 hr. AT 150° F.
5. RECOAT WITH Q. MAX. - A-27.
6. BAKE FOR 1/2 hr. AT 100° F.

X	6	GL-103	DUPONT CEMENT
X	5	GL-102	Q. MAX. A-27 LACQUER
1	4	CJ-109-19	CORE
1	3	TE-146-4	TERMINAL RING
X	2	WI-104-541-SN-QS	WIRE LITZ 5/41 SN, QS
1	1	CF-114-3	COIL FORM

REQ. ITEM	PART NO.	DESCRIPTION	SYMBOL
THE TECHNICAL MATERIEL CORP.			
MAMARONECK, NEW YORK			
ANTENNA TRANSFORMER			
FFRD-3M (T1)			
STOCK SIZE		PB 5-6-55 P.L.K. 5-16-55	
MATERIAL		DRAWN ELEC. DES. APP. MECH. DES. APP.	
WEIGHT PER PC.		G.T.O.	
TYPE & TEMPER		CHECKED FINAL APPROVAL	
HEAT TREAT. SPEC.		A-931 B	
FINISH & SPEC. NO.			

B	SEE EMN #10828	2/5/64	10828	A.M.	T.R.		
A	3 ITEM # WAS CJ-109-6						
	2 SEC "L" WAS 8.0μh	6/1/56	1	H.R.	P.L.K.	A.J.J.	
	1 PRI "L" WAS 9.3μh						
ISSUE	ITEM	CHANGED FROM	DATE	CN. NO.	DRAFTS	CHECKER	ENG. APP.

TOLERANCES		SCALE:
ALL OTHERS	DEC. DIM. ± FRAC. DIM. ± ANGULAR DIM. ±	DRILL, PUNCH, COMMERCIAL STOCK SIZES AND MANUFACTURERS TOLERANCES ARE NOT INCLUDED.

1	FFRD-3M	A-1010	5-9-55	
REQ. PER UNIT	MODEL	PROJECT NO.	ASS'Y. NO.	DATE
				USED ON