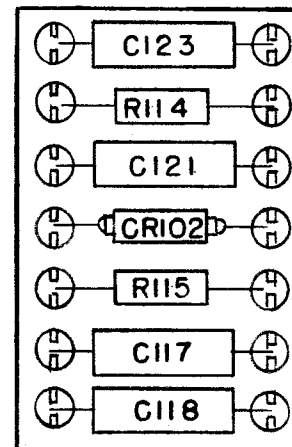
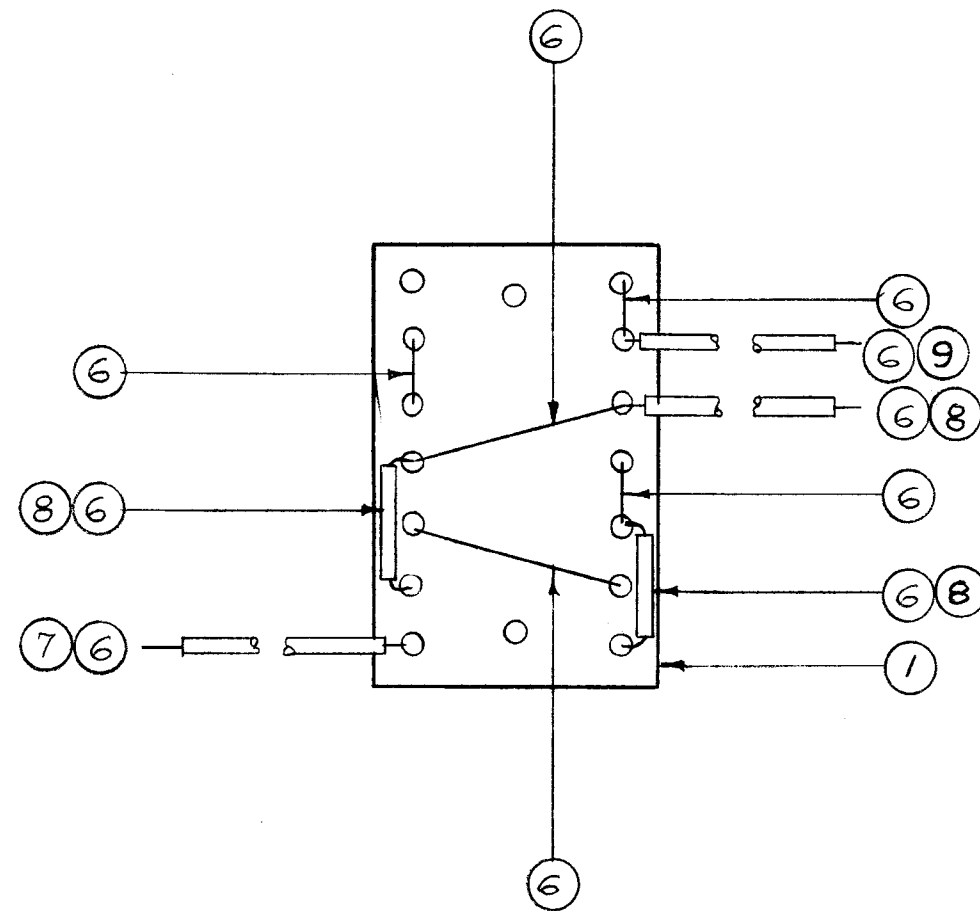


IF IT IS FOUND DESIRABLE TO CHANGE ANY TOLERANCE OR OTHER DETAIL SPECIFIED ON THIS DRAWING NOTIFY THE PURCHASER PROMPTLY.

MAXIMUM ALLOWABLE TOLERANCES HAVE BEEN DETERMINED AND DEVIATIONS WILL BE CAUSE FOR REJECTION. REMOVE ALL BURRS AND SHARP EDGES

A-927 B



C118
C117
C121
C123

X	9	PX-104-6-022	INSULATION, SLEEVING (BLUE)	
X	8	PX-104-1-022		(BLK.)
X	7	PX-104-4-022		(GREEN)
X	6	WL-100-7	WIRE, BUSS BAR	22 GA.
1	5	IN34	CRYSTAL UNIT, QUARTZ	CR102
1	4	RC20GF223J	RESISTOR, FIXED	R114
1	3	RC20GF433J	RESISTOR, FIXED	R115
4	2	CM20F102603	CAPACITOR, FIXED	
1	1	A-922	TERM. BD. NO. 1 P.S. SUB. ASSY.	
REQ.	ITEM	PART NO.	DESCRIPTION	SYMBOL
			THE TECHNICAL MATERIEL CORP.	
			MAMARONECK. NEW YORK	
			TERM. BD. NO. 1 P.S.	
			WIRING ASSY.	
		STOCK SIZE		
		MATERIAL	WEIGHT PER PC.	
		TYPE & TEMPER		PA 2-8-55
		HEAT TREAT. SPEC.		WDC
		FINISH & SPEC. NO.		MECH. DES. APP.
		DRAWN		ELEC. DES. APP.
		CHECKED		FINAL APPROVAL
				A-927
				B

B		B/U UPDATED	2-13-62	17810	AW	OKS	
A	2	ITEM 7 WAS YEL. ITEM 8 WAS PX104-0.022	6-21-62	6470	SAC	YWC	
ISSUE	ITEM	CHANGED FROM	DATE	CN. NO.	DRAFTS	CHECKER	ENG. APP.
		TOLERANCES	SCALE:		1	VOX 3,4,5,6	6-21-62
		DEC. DIM. ±	DRILL PUNCH, COMMERCIAL STOCK		1	VOX = 2	PA 2-8-55
		FRAC. DIM. ±	SIZES AND MANUFACTURERS		REQ.	MODEL	PROJECT NO.
		ANGULAR DIM. ±	TOLERANCES ARE NOT INCLUDED.		PER	PROJECT NO.	ASS'Y. NO.
					UNIT	DATE	
					USED ON		