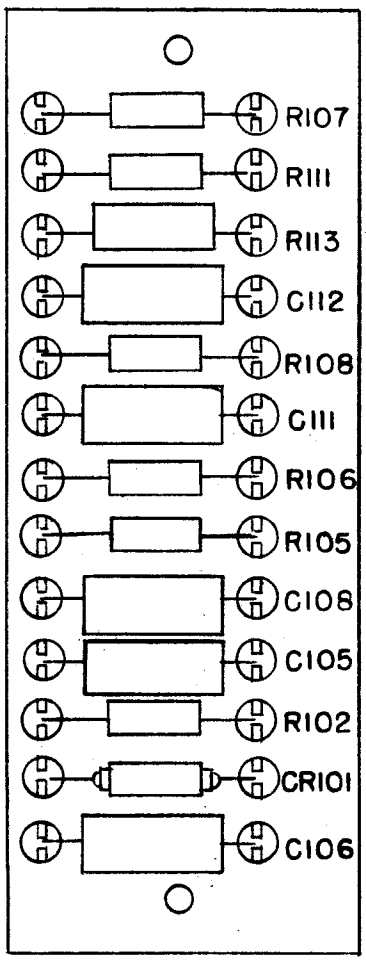
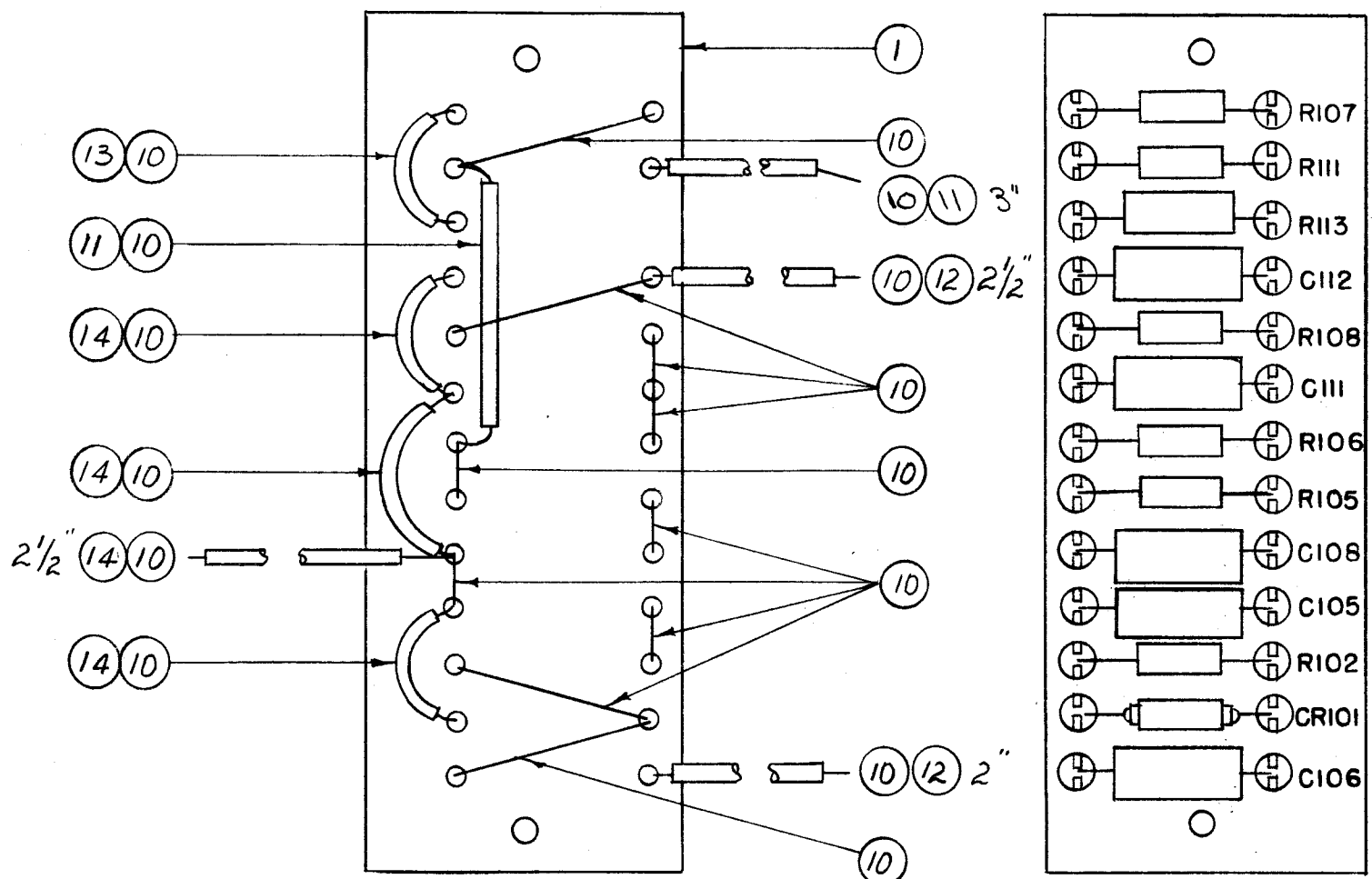


IT IS FOUND DESIRABLE TO CHANGE ANY TOLERANCE OR OTHER DETAIL SPECIFIED ON THIS DRAWING NOTIFY THE PURCHASER PROMPTLY.

MAXIMUM ALLOWABLE TOLERANCES HAVE BEEN DETERMINED AND DEVIATIONS WILL BE CAUSE FOR REJECTION. REMOVE ALL BURRS AND SHARP EDGES

A-920 E



X	14	PX-104-1-022	INSULATION, SLEEVING (BLK)	
X	13	PX-104-2-022	(YELL)	
X	12	PX-104-4-022	(GREEN)	
X	11	PX-104-6-022	(BLUE)	
X	10	WL-100-7	WIRE, BUSS BAR 22 GA.	
1	9	1N34	SEMICONDUCTOR DEVICE, DIODE	CR101
1	8	RC20GF123J	RESISTOR, FIXED	R102
1	7	RC20GF105J		R106
2	6	RC20GF104J		R108 R105
5	5	CM20F102G03	CAPACITOR, FIXED	
1	4	RC42GF823J	RESISTOR, FIXED	R113
1	3	RC20GF224J		R111
1	2	RC20GF563J		R107
1	1	A-923	TERMINAL BD. NO 2, P.S. SUB ASSY.	

C112  
C111  
C108  
C105  
C106

	B/U UPDATED	2-13-67	17810	UNB	QC/2	
	IT 12 WAS PX 104-5-022 (BRN)	12-5-66	11401	RME	QC/2	
1	ITEM (9) WAS 1N34	7-12-63	9997	A.K.		
1	YELL WAS RED & BRN WAS GEN (ITEM 13)	6-21-62	6470	DDM		
1	Item 8 Was RC20GF123K	11-20-61	5918	EG		
ITEM	CHANGED FROM	DATE	CN. NO.	DRAFTS	CHECKER	ENG. APP.

TOLERANCES		SCALE:	1	VOX-3,4,5,6		6-21-62	
DEC. DIM. ±		DRILL, PUNCH, COMMERCIAL STOCK SIZES AND MANUFACTURERS TOLERANCES ARE NOT INCLUDED.	1	VOX = 2		2-8-55	
FRAC. DIM. ±			REQ. PER UNIT	MODEL	PROJECT NO.	ASSY. NO.	DATE
ANGULAR DIM. ±							

REQ. ITEM	PART NO.	DESCRIPTION	SYMBOL
<b>THE TECHNICAL MATERIEL CORP.</b>			
MAMARONECK, NEW YORK			
TERMINAL BD. NO. 2 ASSEMBLY			
VOX			
STOCK SIZE		PB 2-8-55	
MATERIAL		DRAWN	ELEC. DES. APP.
WEIGHT PER PC.		CHECKED	MECH. DES. APP.
TYPE & TEMPER		FINAL APPROVAL	
HEAT TREAT. SPEC.		A-920 E	
FINISH & SPEC. NO.			