

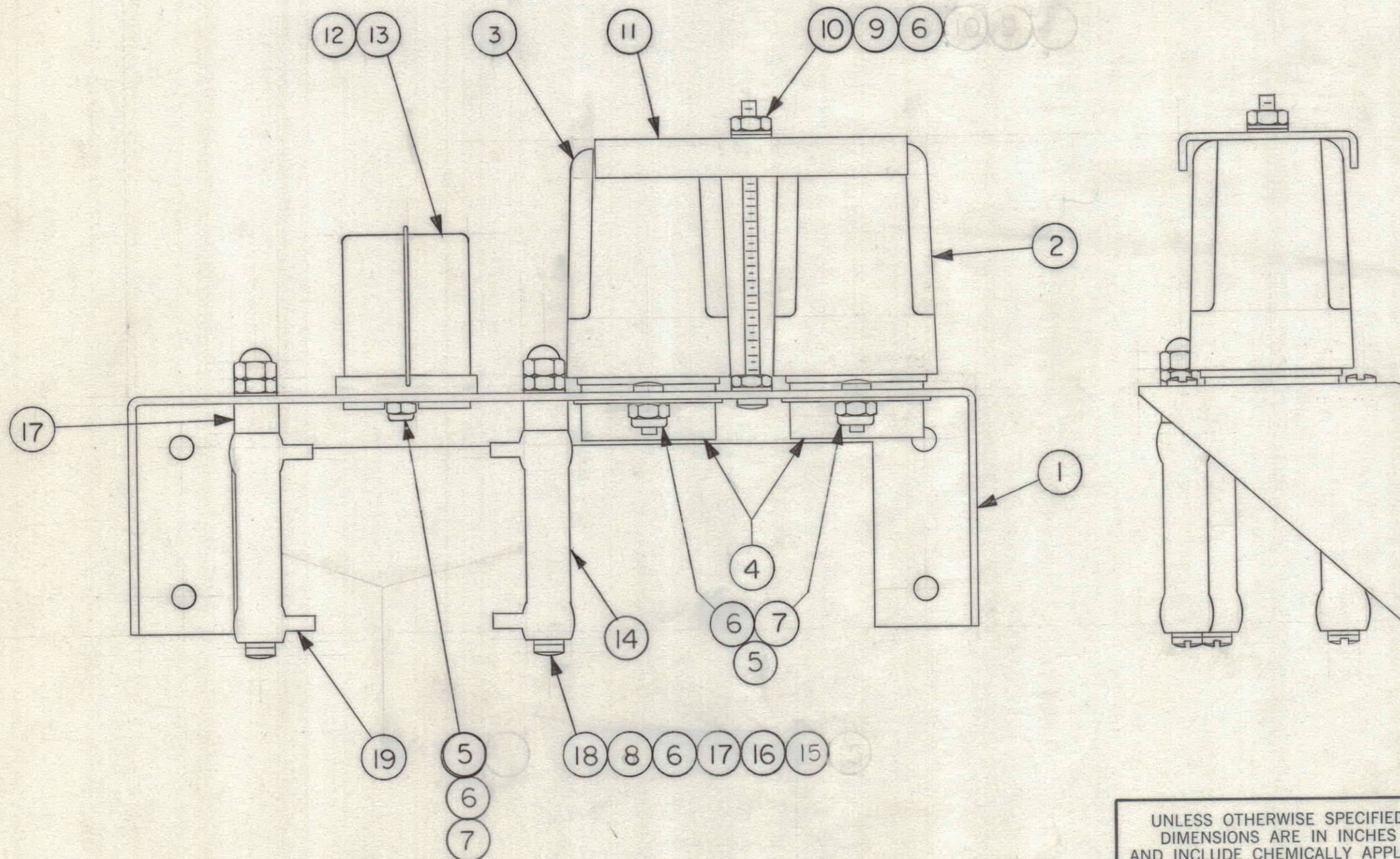
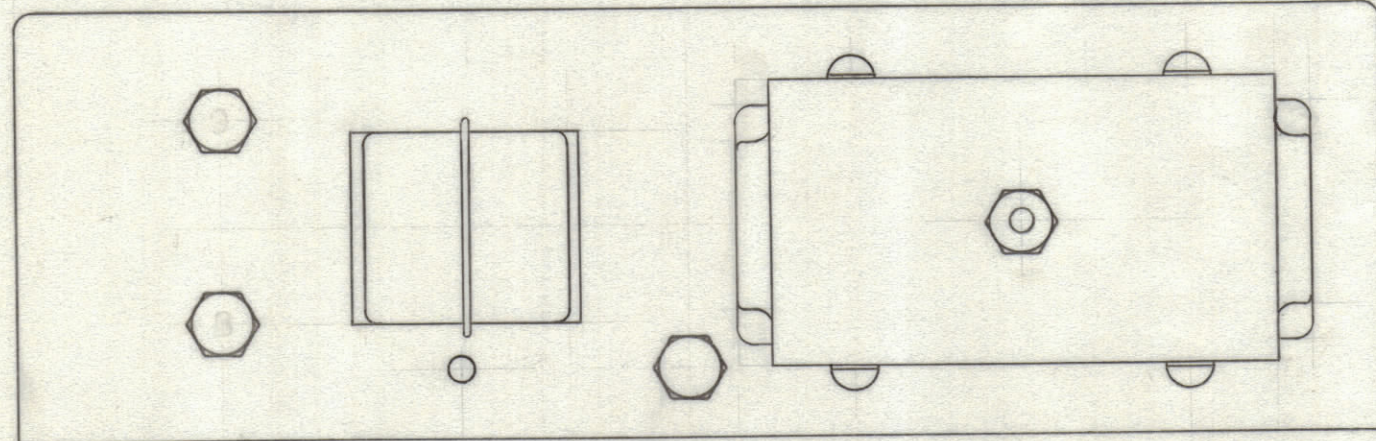
4

3

2

1

REVISIONS						
ZONE	LTR	DESCRIPTION	DATE	E.M.N.NO	DRAFT	CHKD APPD
	Ø	WAS 40N12C7195	8-15-68		CB	
	Ø	ORIGINAL RELEASE FOR PRODUCTION	8/27/68			



2	19	RW109-29	RESISTOR, FIXED W.W. 2.5KΩ, 10W 5%	R8, R9
3	18		NUT, CAP, 6-32 NPB	
3	17	2100	STANDOFF, ALUMINUM, .250X 1/4	H.H.SMITH
6	16	2662	WASHER, NYLON SHOULDER	H.H.SMITH
3	15		SCREW 6-32 X 2-3/8"	
1	14	RW109-28	RESISTOR, FIXED, W.W. 2K, 10W 5% OHMITE	R1
1	13	LBP.2000E200	RELAY, TYPE LBP, 6 PST, 2052, 2.8V DC	CLARE K22
1	12	RP-15450-G1	SOCKET, RELAY, LB TYPE	CLARE XK22
1	11	MS8245	RETAINER, RELAY	
2	10		NUT, PLAIN, 6-32 SS	
2	9		WASHER, LOCK NO. 6	
1	8		SCREW, 6-32 X 2-1/2 P/H SS	
5	7	92NM-62	NUT, SELF-LOCKING, 6-32 CPB	ESNA
12	6		WASHER, NO. 6 PLAIN, NPB	
5	5		SCREW, 6-32 X 1/2, P/H NPB	
2	4	TS100-3	SOCKET, RELAY OCTAL, 8 PIN	XK5 XK28
1	3	CMD 11D	RELAY, 45052 DPDT	SCHRACK K5
2	2	RL168-2C-10-24DC	RELAY, 24VDC DPDT	SCHRACK K28
1	1	MS8373	BRACKET, RELAY/RESISTOR MOUNTING	

QTY. REQ.	ITEM	PART NO.	DESCRIPTION	SYMBOL
-----------	------	----------	-------------	--------

LIST OF MATERIAL

UNLESS OTHERWISE SPECIFIED DIMENSIONS ARE IN INCHES AND INCLUDE CHEMICALLY APPLIED OR PLATED FINISHES		FINAL APPROVAL JFP	DATE 7-1-68
TOLERANCES ON		MECH. DES. JFP	DATE 5-7-68
DECIMALS	FRACTIONS	ELECT. DES.	DATE
.X ± .05	± 1/64	CHECKED H.H. Smith	DATE 5-14-68
.XX ± .01	ANGLES	DRAWN C.B.	DATE 5-7-68
.XXX ± .005	± 0° -30'		

THE TECHNICAL MATERIEL CORP. MAMARONECK, NEW YORK			
RELAY CHASSIS ASSEMBLY BIAS MODULATOR			
SIZE	CODE IDENT.NO.	DWG NO.	ISSUE
C	82679	A8094 95	Ø
SCALE 1:1		SHEET	OF

1	SPT-3KVHF	AP139
QTY / UNIT	MODEL USED ON	ASS'Y NO.
APPLICATION		
	CODE	
NOTICE TO PERSONS RECEIVING THIS DRAWING THE TECHNICAL MATERIEL CORPORATION claims proprietary right in the material disclosed hereon. This drawing is issued in confidence for engineering information only and may not be reproduced or used to manufacture anything shown hereon without permission from THE TECHNICAL MATERIEL CORPORATION to the user. This drawing is loaned for mutual assistance and is subject to recall at any time.		

A

B

C

D

A8094

A

4

3

2

1