

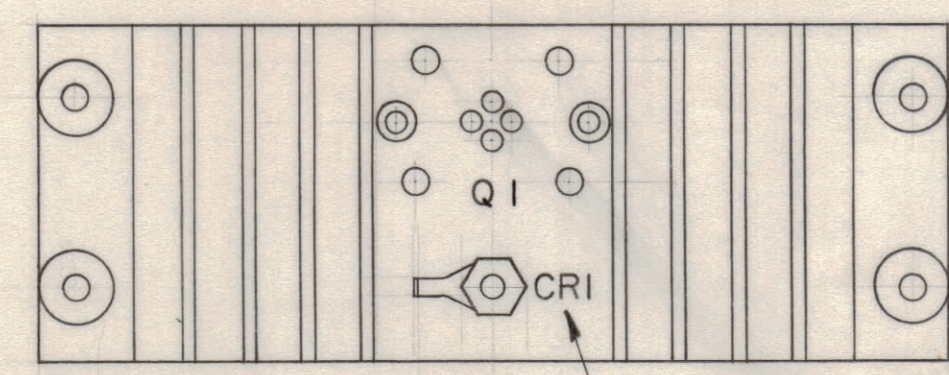
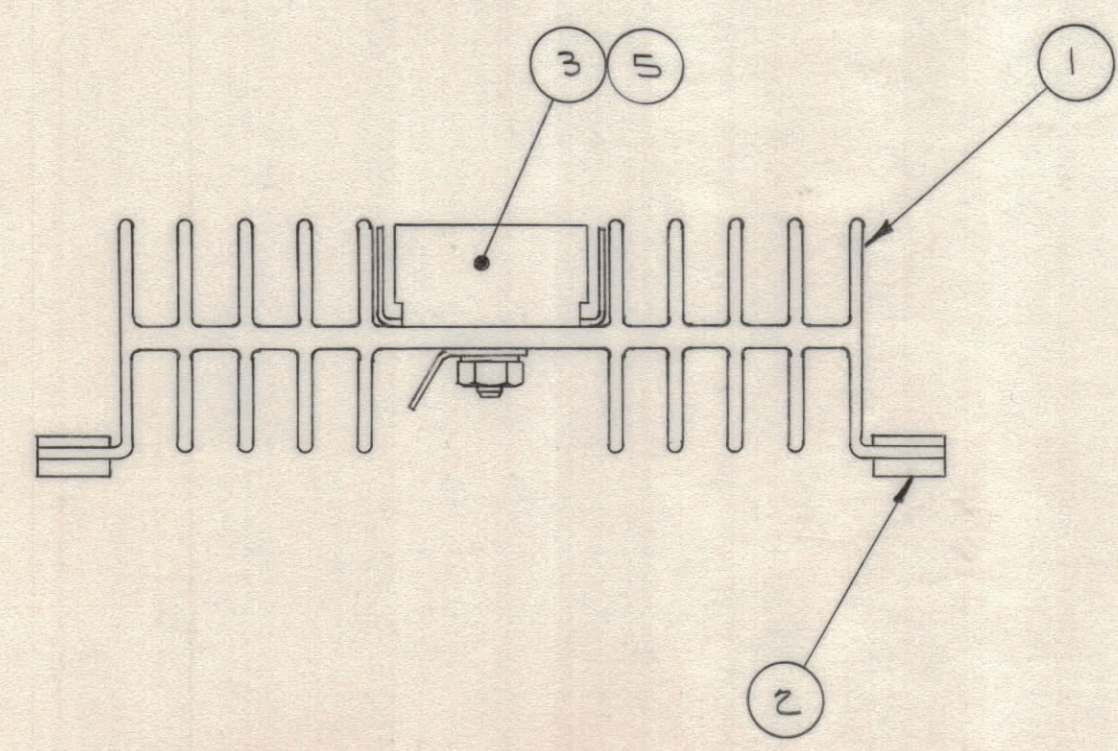
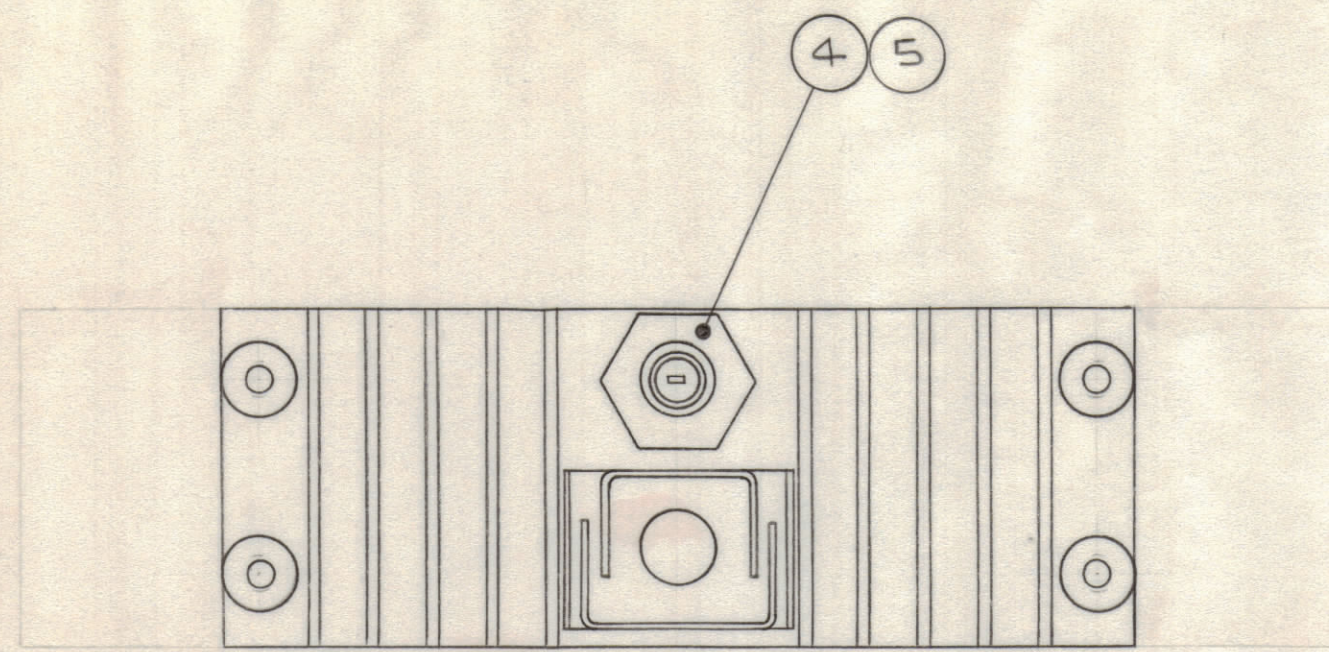
4

3

2

1

REVISIONS						
ZONE	LTR	DESCRIPTION	DATE	E.M.N.NO	DRAFT	CHKD APPD
	X	DWG. WAS 40N12C7179	8/15/68		C. G. ROB	
		ORIGINAL RELEASE FOR PRODUCTION	10/9/69		RG	



NOTES

1. PURCHASED FROM WAKEFIELD ENGINEERING, INC., WAKEFIELD, MASS
2. PURCHASED FROM REAY HARRISON, NEW JERSEY 07079
3. PURCHASED FROM MOTOROLA, CHICAGO, ILL 60651
4. RUBBER STAMP CHARACTERS APPROX AS SHOWN 1/8 HIGH WITH WHITE INK
5. PURCHASED FROM G E, WATERFORD, NEW YORK

REFERENCE DRAWINGS

SCHEMATIC-VIDEO MODULATOR CK8142 7.1B

QTY. REQ.	ITEM	PART NO.	DESCRIPTION	SYMBOL
AR	5	GL138	COMPOUND, SILICON, HEATSINK	NOTE 5
1	4	IN3340RB	DIODE, ZENER	(CR1) CR1
1	3	40410	TRANSISTOR	(Q1) Q1.2
4	2	103	INSULATOR, TEFLON	(NOTE)
1	1	MS8375-2	INPUT AMP HEAT SINK	

LIST OF MATERIAL

UNLESS OTHERWISE SPECIFIED DIMENSIONS ARE IN INCHES AND INCLUDE CHEMICALLY APPLIED OR PLATED FINISHES	FINAL APPROVAL JFP	DATE 7-15-68
TOLERANCES ON	MECH. DES. P.T.	DATE 5-1-68
DECIMALS .X ± .05 .XX ± .01 .XXX ± .005	ELECT. DES.	DATE 1 MAY 68
FRACTIONS ± 1/64 ANGLES ± 0° -30'	CHECKED JFP	DATE 7-15-68
	DRAWN W.M. L. MCKINLEY	DATE 1 MAY 68

THE TECHNICAL MATERIEL CORP.
MAMARONECK, NEW YORK

ED INPUT AMP HEAT SINK ASSY
VIDEO MODULATOR

1	SPT-3KVHF	AX8038
QTY / UNIT	MODEL USED ON	ASS'Y NO.
APPLICATION A 8093		
	CODE	

NOTICE TO PERSONS RECEIVING THIS DRAWING

THE TECHNICAL MATERIEL CORPORATION claims proprietary right in the material disclosed hereon. This drawing is issued in confidence for engineering information only and may not be reproduced or used to manufacture anything shown hereon without permission from THE TECHNICAL MATERIEL CORPORATION to the user. This drawing is loaned for mutual assistance and is subject to recall at any time.

MATERIAL	SIZE	CODE IDENT. NO.	DWG NO.	ISSUE
FINISH	C	82679	A8091	0
	SCALE	1/1	SHEET	1 OF 1

4

3

2

1