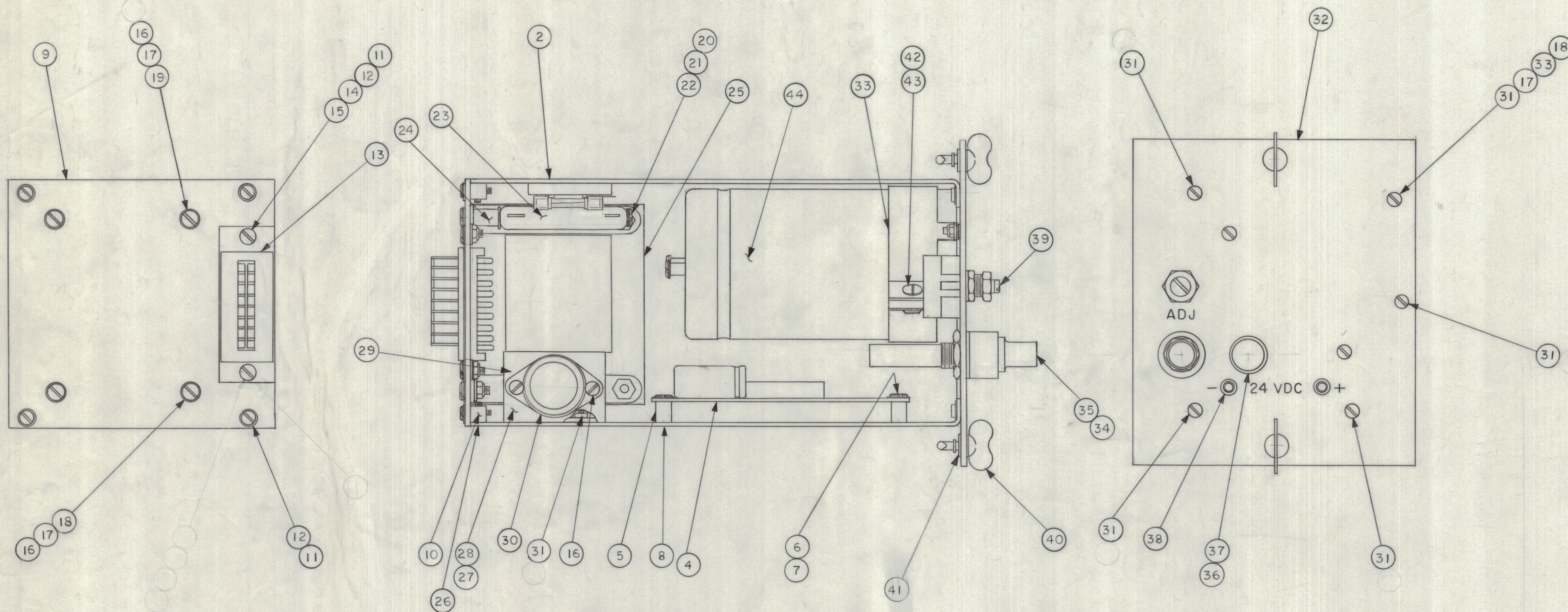


| REVISIONS | | | | | | | |
|-----------|-----|---------------------------------|---------|----------|------------|------|------|
| ZONE | LTR | DESCRIPTION | DATE | E.M.N.NO | DRAFT | CHKD | APPD |
| X | | DWG. No WAS 40N12D7137 | 8-21-67 | | C. Sproull | | |
| | | ORIGINAL RELEASE FOR PRODUCTION | 8/1/67 | | RG | | |



Ass. For Hubs

SEE PL A8056137 FOR PARTS LIST

| | | |
|---|---------------|-----------|
| | SPT-3KVHF | AP-137 |
| QTY / UNIT | MODEL USED ON | ASS'Y NO. |
| APPLICATION | | |
| CODE | | |
| <small>NOTICE TO PERSONS RECEIVING THIS DRAWING</small> <small>THE TECHNICAL MATERIEL CORPORATION claims proprietary right in the material disclosed hereon. This drawing is issued in confidence for engineering information only and may not be reproduced or used to manufacture anything shown hereon without permission from THE TECHNICAL MATERIEL CORPORATION to the user. This drawing is loaned for mutual assistance and is subject to recall at any time.</small> | | |

| | | | |
|---|---|---|------------------|
| UNLESS OTHERWISE SPECIFIED DIMENSIONS ARE IN INCHES AND INCLUDE CHEMICALLY APPLIED OR PLATED FINISHES | | FINAL APPROVAL J.F.P. <i>[Signature]</i> | DATE 5-10-68 |
| TOLERANCES ON | | MECH. DES. J. McM. | DATE 1-5-68 |
| DECIMALS .X ± .05 .XX ± .01 .XXX ± .005 | FRACTIONS ± 1/64 ANGLES ± 0°-30' | ELECT. DES. <i>[Signature]</i> | DATE 10-19-69 |
| MATERIAL | | CHECKED R. Smith | DATE 5-10-68 |
| FINISH | | DRAWN C.B. | DATE 4-23-68 |

| QTY. REQ. | ITEM | PART NO. | DESCRIPTION | SYMBOL |
|---|-----------------|-----------|-------------|----------|
| LIST OF MATERIAL | | | | |
| THE TECHNICAL MATERIEL CORP. MAMARONECK, NEW YORK | | | | |
| ASSEMBLY POWER SUPPLY AP-137 | | | | |
| SIZE | CODE IDENT. NO. | DWG. NO. | ISSUE | |
| D | 82679 | 40 A80567 | 1 | |
| SCALE | | | | SHEET OF |