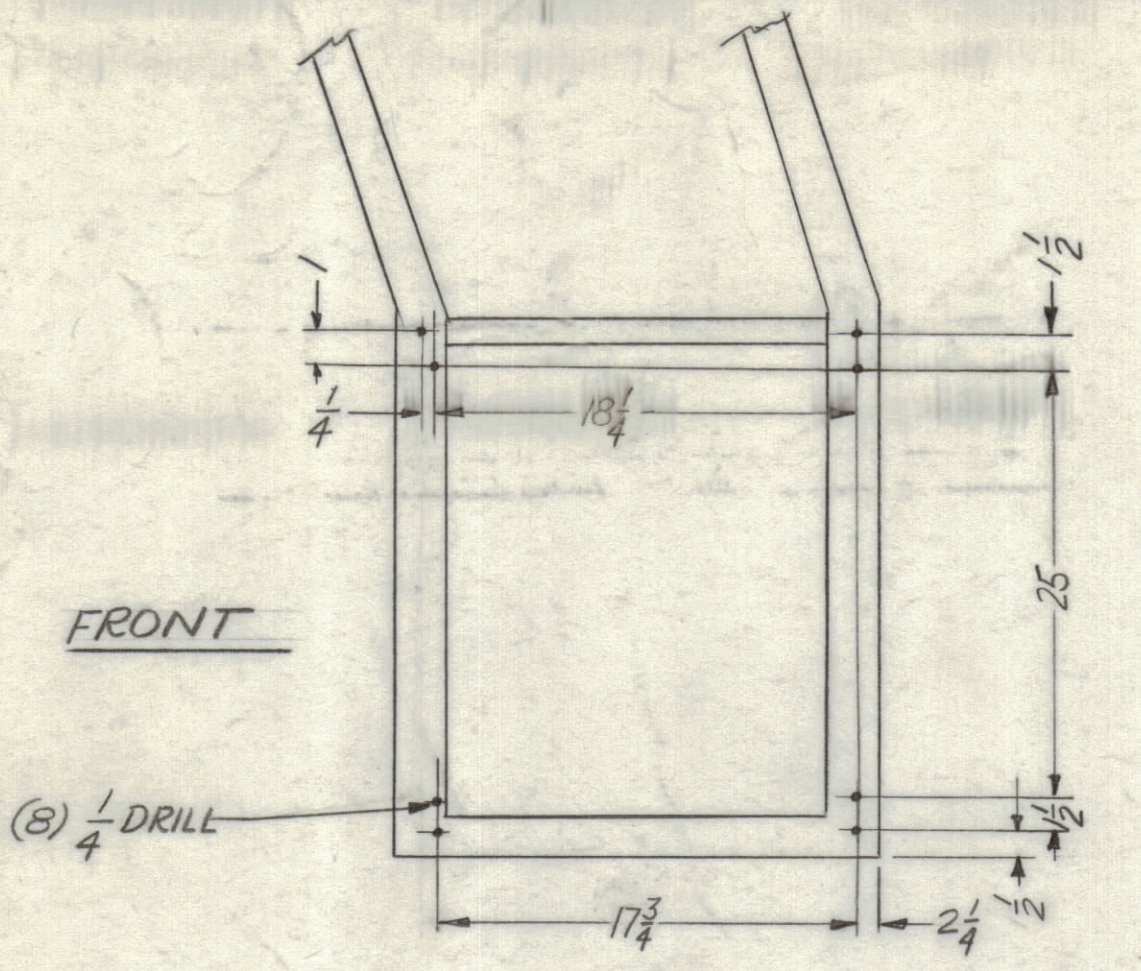
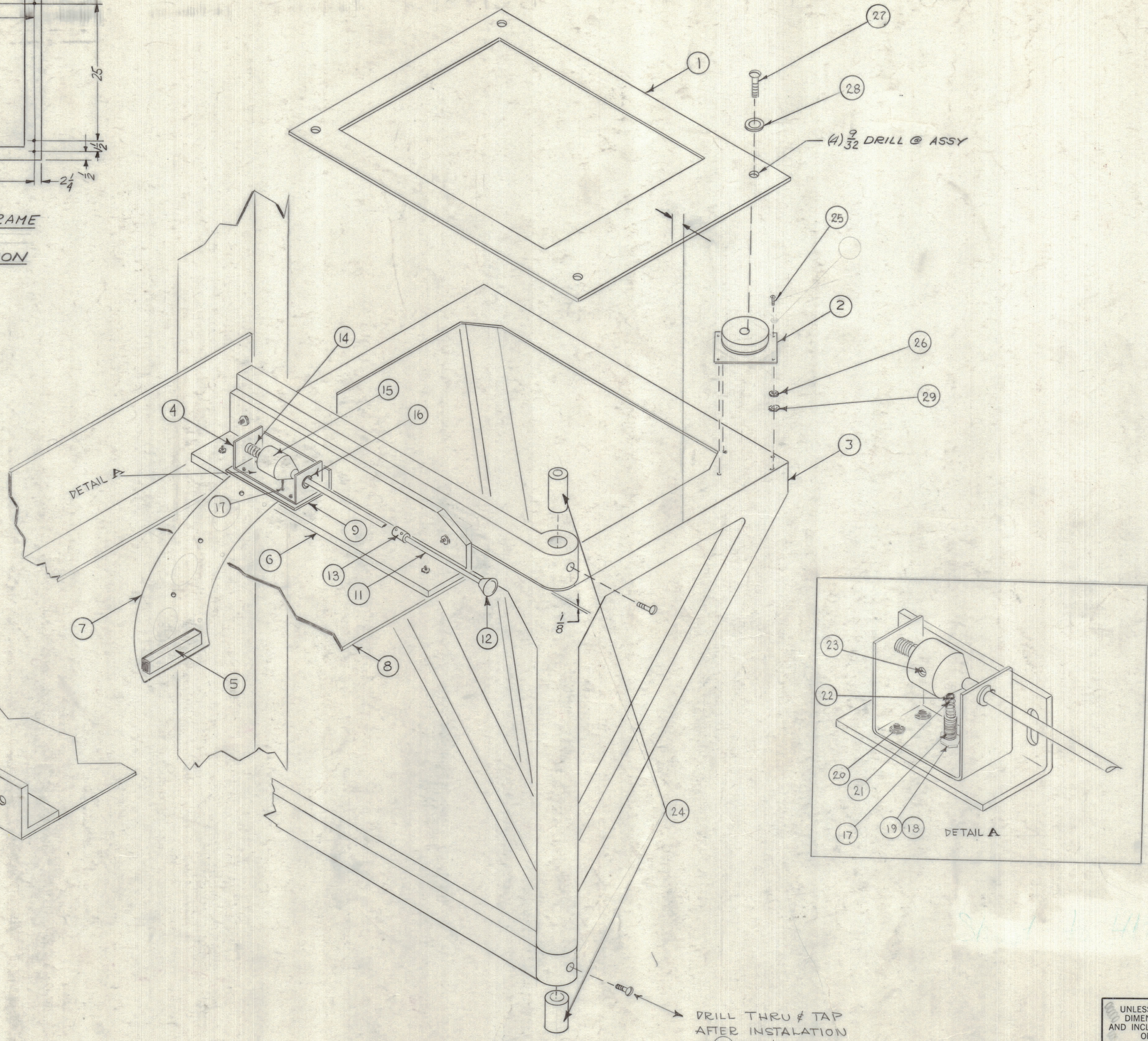


ZONE		LTR	DESCRIPTION	DATE	E.M.N.NO	DRAFT	CHKD	APPD
			ORIGINAL RELEASE FOR PRODUCTION	1/1/60		RG		



DRILLING OF FRAME FOR TELETYPE TABLE INSTALLATION



QTY. REQ.	ITEM	PART NO.	DESCRIPTION	SYMBOL
16	29	NTH1032BN12	NUT	
4	28	FW25LBN	EXT WASER	
4	27	SCHH2520BN	SCREW WASHER	
16	26	FW10LBN	EXT WASER	
16	25	SCBP1032BN-7	SCREW	
2	24	*	TUBING 1/16" O.D X 6" LG	
1	23	STD	SET SCREW 3/32	
1	22	STD	1/16 ROLL PIN	
1	21	*	ROD 1/4" BRASS	
2	20	NTH0632BN10	NUTS	
1	19		NUT 3/8" X 20	
1	18	FW06MFN	FLAT WASHER	
1	17	BB101	BUSHING	
2	16	BB117-2	NYLON BEARING	
1	15	PM528	BULLET	
1	14	SPI35	SPRING	
1	13	*	COUPLING 4 SS 1/4	
1	12	HB-112-2	KNOB	
1	11	PM529-165	1/4" ROD 16 1/2" LG. CUT IN TO 2 PCS (1) 16" (1) 10 1/2"	
1	10	MS8176	SHELF BRACKET	
1	9	MS8178	LOCKING MECH. BKT.	
1	8	MS8177	SLIDE LOCK COVER PLATE - UNIT	
1	7	MS8171	TELETYPE STAND LOCKING QUADRANT	
1	6	MS8175	SELF BKT. & LOCKING QUADRANT GUIDE	
1	5	MS8179	LOCKING QUADRANT STOP	
1	4	MS1491	BKT. SELF	
1	3	MS8058	TELETYPE STAND	
4	2	SH101	SHOCK MOUNT	
1	1	MS8198	TELETYPE PLATE	

LIST OF MATERIAL

FINAL APPROVAL	DATE
MECH. DES.	DATE
ELECT. DES.	DATE
CHECKED	DATE
DRAWN	DATE

THE TECHNICAL MATERIEL CORP.  
MAMARONECK, NEW YORK

INSTALLATION ASSEMBLY  
FOR TELETYPE  
TABLE

1	17A	
QTY / UNIT	MODEL USED ON	ASS'Y NO.
APPLICATION		
CODE		

NOTICE TO PERSONS RECEIVING THIS DRAWING  
THE TECHNICAL MATERIEL CORPORATION claims proprietary right in the material disclosed hereon. This drawing is issued in confidence for engineering information only and may not be reproduced or used to manufacture anything shown hereon without permission from THE TECHNICAL MATERIEL CORPORATION to the user. This drawing is loaned for mutual assistance and is subject to recall at any time.

TOLERANCES ON	DECIMALS	FRACTIONS
	.X ± .05	± 1/64
	.XX ± .01	ANGLES ± 0° - 30'
	.XXX ± .005	
MATERIAL	FINISH	
SIZE	CODE IDENT. NO.	DWG NO.
D	82679	A8033
SCALE	SHEET OF	