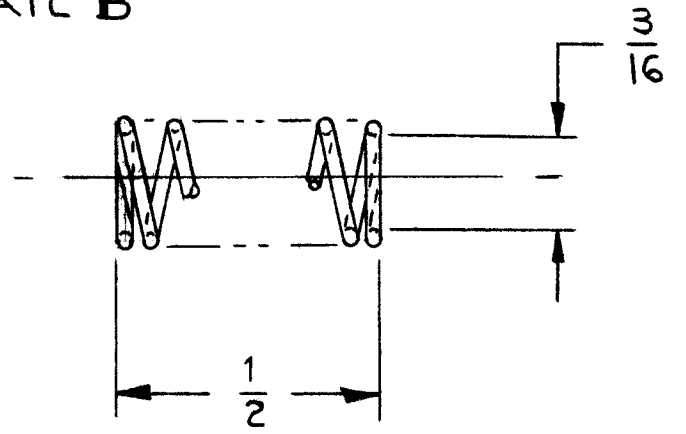
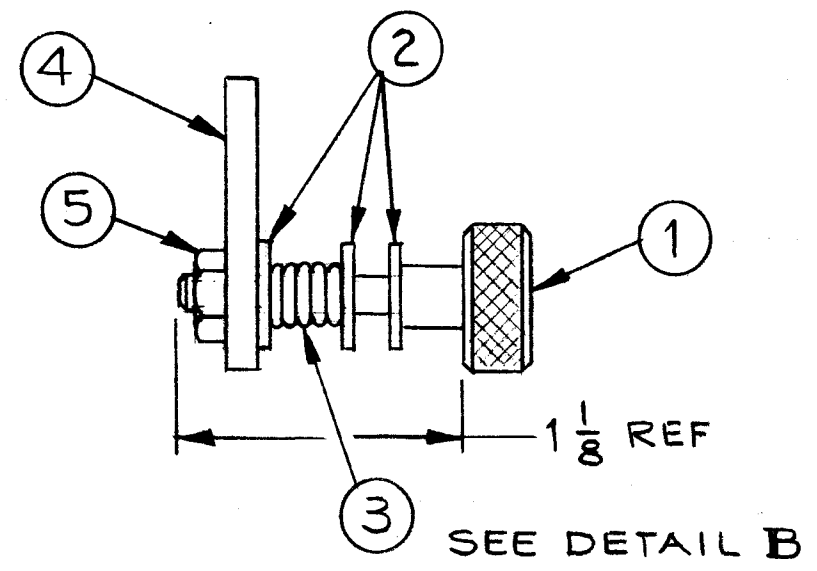


REVISIONS

ZONE	LTR	DESCRIPTION	DATE	E.M.N.NO	DRAFT	CHKD	APPD
------	-----	-------------	------	----------	-------	------	------



DETAIL B

REQ'D	ITEM	PART NUMBER	DESCRIPTION	SYM.
2	5	SM127S1032	NUT, SELFLOCK, HEX.	
2	4	MS8166	LOCKING ARM	
2	3		SPRING, STEEL	
6	2	FLW10SC	WASHER, FLAT	
2	1		THUMB SCREW NO. 10-32x1 1/8	

LIST OF MATERIAL

2	UNIT 16B	
QTY / UNIT	MODEL USED ON	ASS'Y NO.
APPLICATION		
	CODE	

NOTICE TO PERSONS RECEIVING THIS DRAWING
 THE TECHNICAL MATERIEL CORPORATION claims proprietary right in the material disclosed hereon. This drawing is issued in confidence for engineering information only and may not be reproduced or used to manufacture anything shown hereon without permission from THE TECHNICAL MATERIEL CORPORATION to the user. This drawing is loaned for mutual assistance and is subject to recall at any time.

UNLESS OTHERWISE SPECIFIED DIMENSIONS ARE IN INCHES AND INCLUDE CHEMICALLY APPLIED OR PLATED FINISHES	FINAL APPROVAL <i>JM</i>	DATE <i>1-31-68</i>
DECIMALS .X ± .05 .XX ± .01 .XXX ± .005	MECH. DES. <i>R di Gato</i>	DATE <i>1-7-68</i>
FRACTIONS 1/64 ANGLES 0° -30'	ELECT. DES.	DATE
MATERIAL	CHECKED	DATE
FINISH	DRAWN <i>Amiska</i>	DATE <i>1-4-68</i>

THE TECHNICAL MATERIEL CORP.
MAMARONECK, NEW YORK

TRACK LOCK, TYPWRITER
ASSY

SIZE	CODE IDENT. NO.	DWG NO.	ISSUE
B	82679	A 8019	Ø
SCALE	SHEET		OF
NONE			