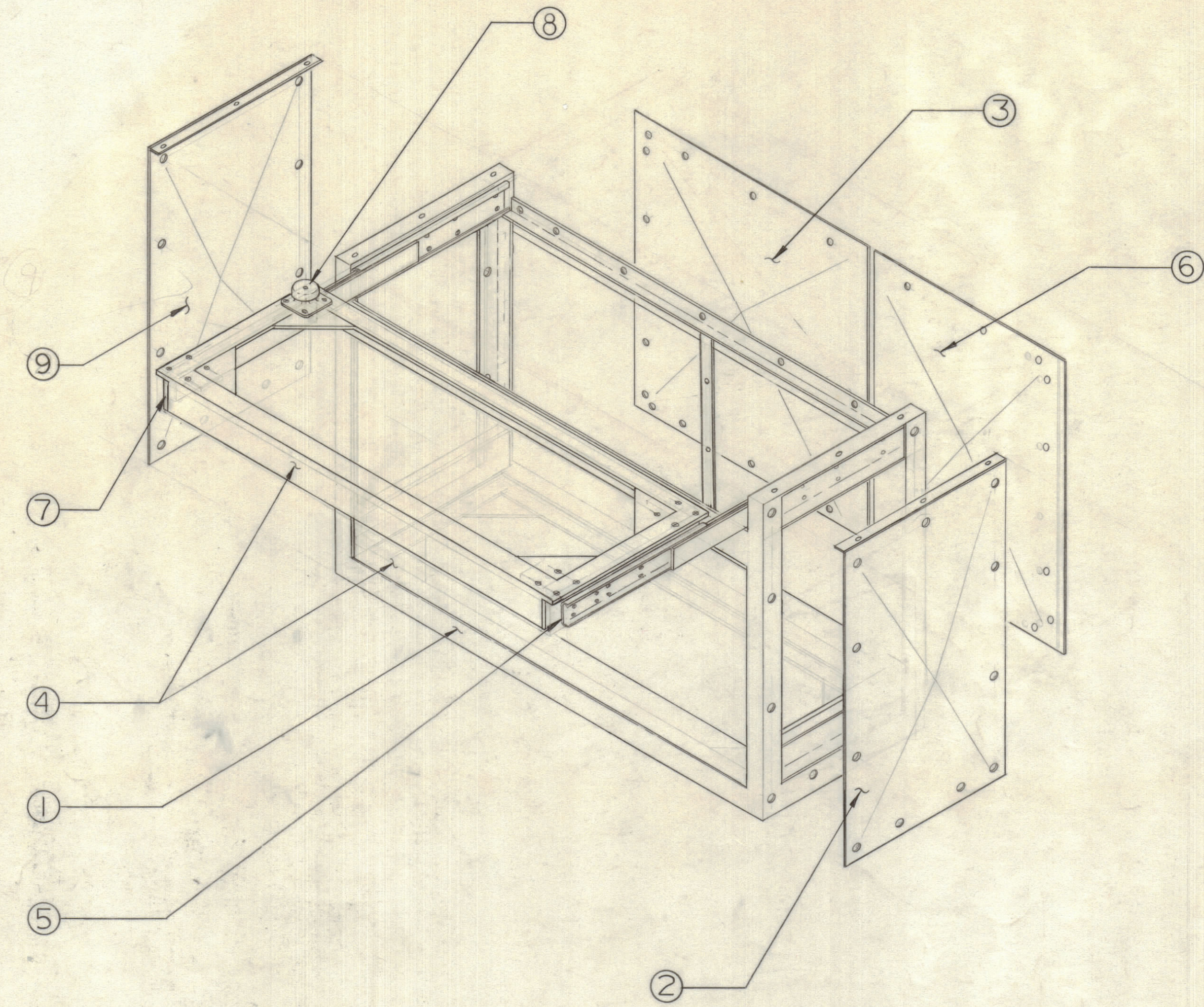


ZONE		LTR	DESCRIPTION	DATE	E.M.N.NO	DRAFT	CHKD	APPD
			ORIGINAL RELEASE FOR PRODUCTION	11/12/74			RC	



QTY. REQ.	ITEM	PART NO.	DESCRIPTION	SYMBOL
1	9	MS8070	COVER, LEFT SIDE	
4	8	CI050-T4	SHOCK ABSORBER (BARRY CONTROLS)	
1	7	SCRAP PIECE	SHIM STRIP (IF REQ'D)	
4	6	MS8077	COVER	
2	5	MS8076	BALL BEARING SLIDE	
4		MS8067	SLIDING DRAWER	
1	3	MS8078	COVER	
1	2	MS8069	COVER, RIGHT SIDE	
1	1	MS8065	PROJECTOR BASE SLIDING DRAWER TYPE	

LIST OF MATERIAL

QTY / UNIT	MODEL USED ON	ASSY NO.
	MS8063 MS8073	
	MS8064 MS8080	
	MS8065 MS8081	
	MS8066 MS8082	
	MS8067 MS8083	
	MS8077 MS8084	
APPLICATION		
	CODE	

UNLESS OTHERWISE SPECIFIED DIMENSIONS ARE IN INCHES AND INCLUDE CHEMICALLY APPLIED OR PLATED FINISHES	
TOLERANCES ON	
DECIMALS	FRACTIONS
.X ± .05	± 1/64
.XX ± .01	ANGLES
.XXX ± .005	± 0° -30'
MATERIAL	
FINISH	
SEE MS 8064	

FINAL APPROVAL	DATE	<b>THE TECHNICAL MATERIEL CORP.</b> MAMARONECK, NEW YORK  ASSY, TMC PROJECTOR BASE SLIDING DR #1	
MECH. DES.	DATE		
ELECT. DES.	DATE		
CHECKED	DATE		
DRAWN	DATE		
C.Grob	11/7/67		
SIZE	CODE IDENT. NO.	DWG NO.	ISSUE
D	82679	A 8017	1
SCALE 1/2" = 1"		SHEET 1 OF 1	

**NOTICE TO PERSONS RECEIVING THIS DRAWING**  
 THE TECHNICAL MATERIEL CORPORATION claims proprietary right in the material disclosed hereon. This drawing is issued in confidence for engineering information only and may not be reproduced or used to manufacture anything shown hereon without permission from THE TECHNICAL MATERIEL CORPORATION to the user. This drawing is loaned for mutual assistance and is subject to recall at any time.