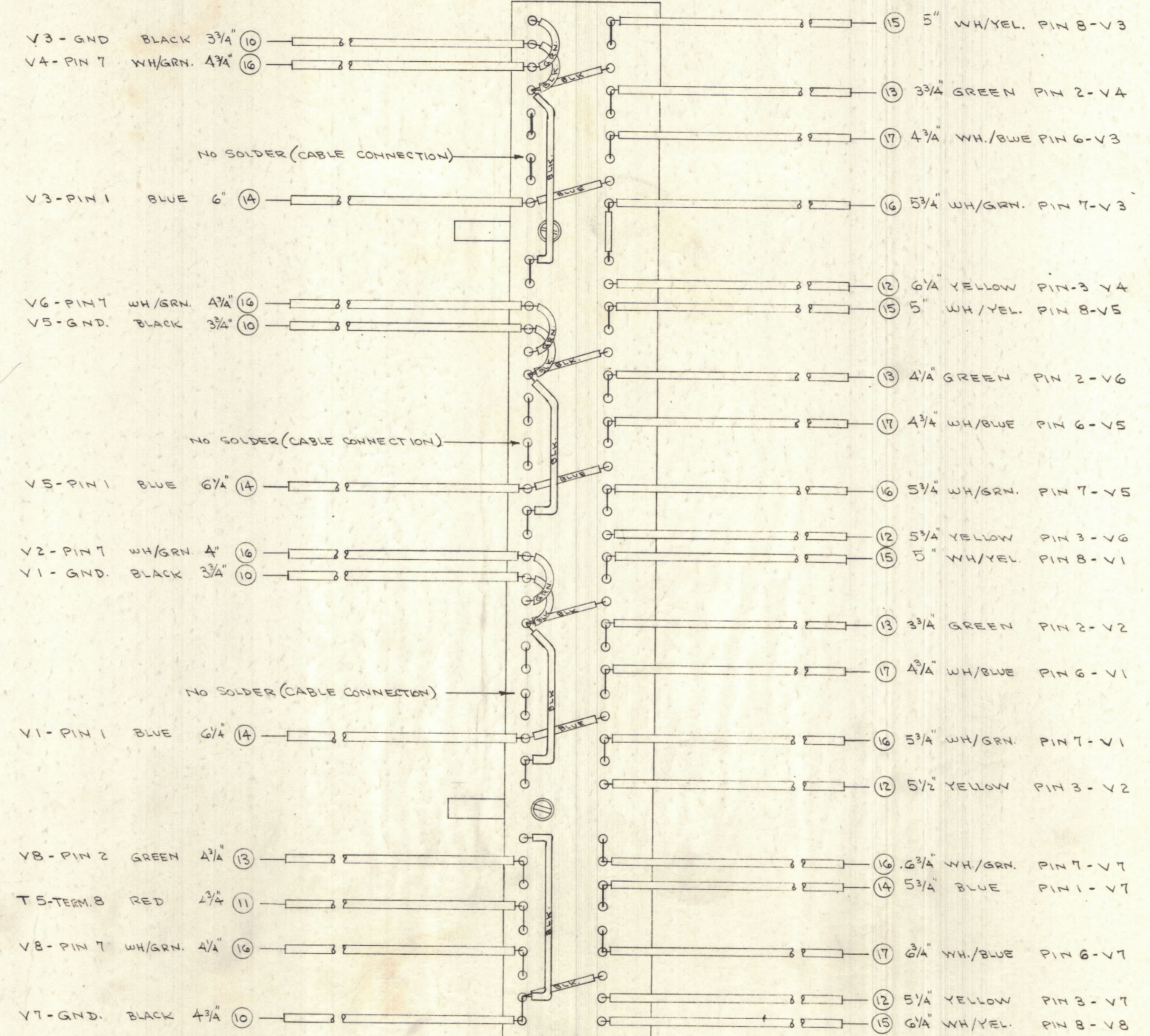
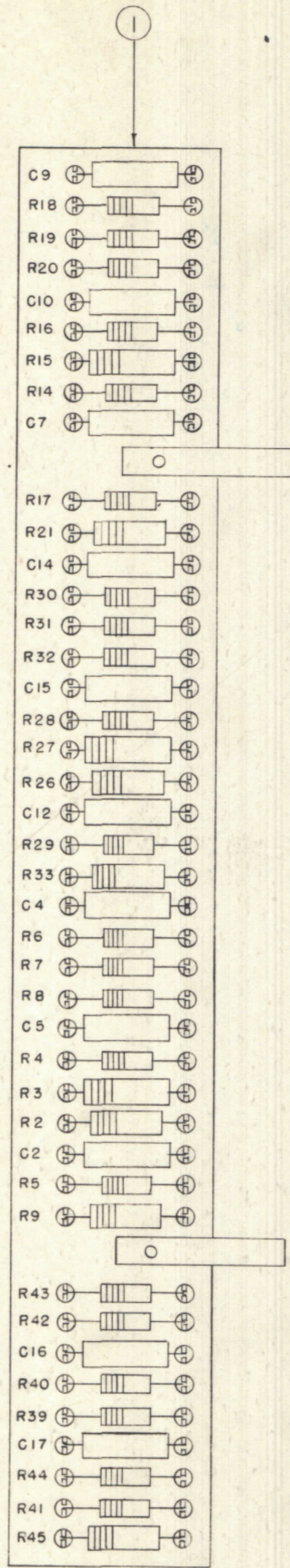


IF IT IS FOUND DESIRABLE TO CHANGE ANY TOLERANCE OR OTHER DETAIL SPECIFIED ON THIS DRAWING NOTIFY THE PURCHASER PROMPTLY.
 MAXIMUM ALLOWABLE TOLERANCES HAVE BEEN DETERMINED AND DEVIATIONS WILL BE CAUSE FOR REJECTION.
 REMOVE ALL BURRS AND SHARP EDGES



WIRE LENGTHS OF SRIR ARE TOTAL LENGTHS AND ALLOW 3/4" EACH END FOR STRIPPING.
 BARE JUMPERS ARE ITEM 18
 OTHER JUMPERS ARE ITEMS 18 & SLEEVING (ITEMS 19, 20, 21) COLORS AS ABOVE

NOTICE TO PERSONS RECEIVING THIS DRAWING
 THE TECHNICAL MATERIEL CORPORATION claims proprietary right in the material disclosed herein. This drawing is issued in confidence for engineering information only and may not be reproduced or used to manufacture anything shown herein without permission from THE TECHNICAL MATERIEL CORPORATION to the user. This drawing is loaned for mutual assistance and is subject to recall at any time.
 Property of
 THE TECHNICAL MATERIEL CORPORATION
 MAMARONECK, NEW YORK

REQ. NO.	ITEM	PART NO.	DESCRIPTION	SYMBOL
1	26	RC30GF681K	RESISTOR, FIXED	R42
1	25	RC20GF13J		R43
2	24	RC20GF105K		R44
1	23	RC20GF152K		R41
X	22	BS-100	SOLDER, SOFT	
X	21	PX-104-6-.034	INSULATION, SLEEVING (BLUE)	
X	20	PX-104-4-.034	" " (GRN.)	
X	19	PX-104-1-.034	" " (BLK.)	
X	18	WL-100-7	WIRE, BUSS BAR .22 GA.	
21	17	SRIR25(M)22096	CABLE, INSULATED (WH/BLU)	
A	16	95	(WH/GRN.)	
21	15	94	(WH/YEL)	
24	14	66	(BLU)	
16	13	55	(GRN.)	
22	12	44	(YEL)	
24	11	22	(RED)	
16	10	00	(BLK)	
3	9	RC30GF352K	RESISTOR, FIXED	
6	8	RC20GF104J		
3	7	RC20GF471J		
5	6	RC20GF474K		
3	5	RC20GF274J		
3	4	RC42GF103J		
3	3	RC30GF683J		
11	2	CM35B103K	CAPACITOR, FIXED	
1	1	A-B 80	TERM. BD. SUB ASSY.	

ISSUE	ITEM	CHANGED FROM	DATE	CN. NO.	DRAFTS	CHECKER	ENG. APP.
B	1	WIRE LENGTHS CHANGED					A.J.J.
A	1	ITEMS 23-4-5-6 ADDED					A.J.J.

REQ. NO.	MODEL	PROJECT NO.	ASSY. NO.	DATE
1	RSC-2	170		11-18-54

A-887 B