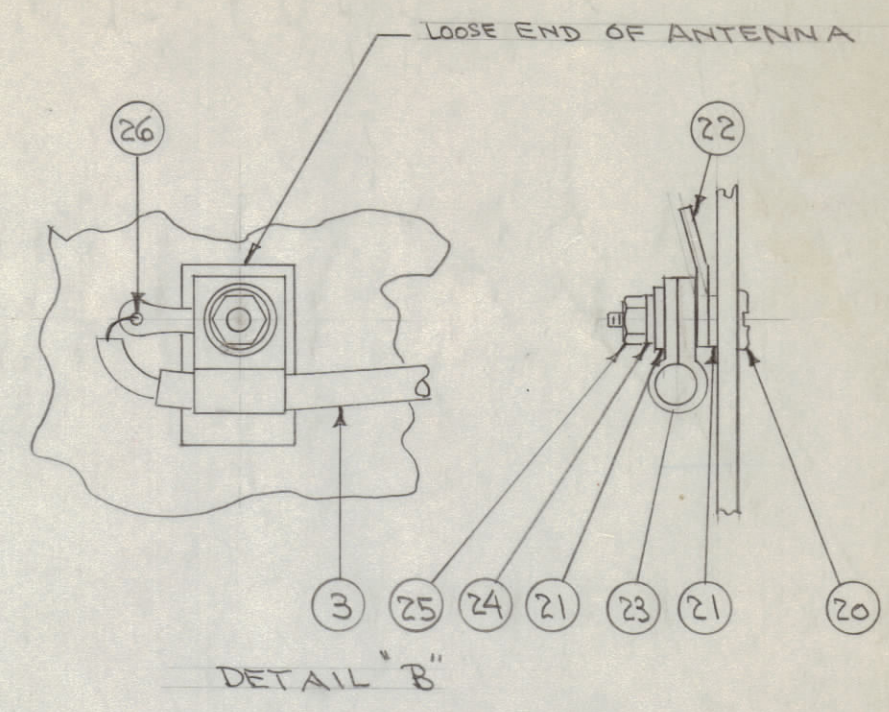
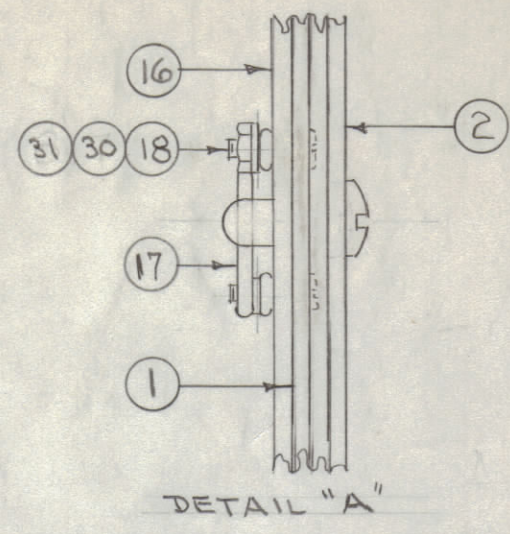
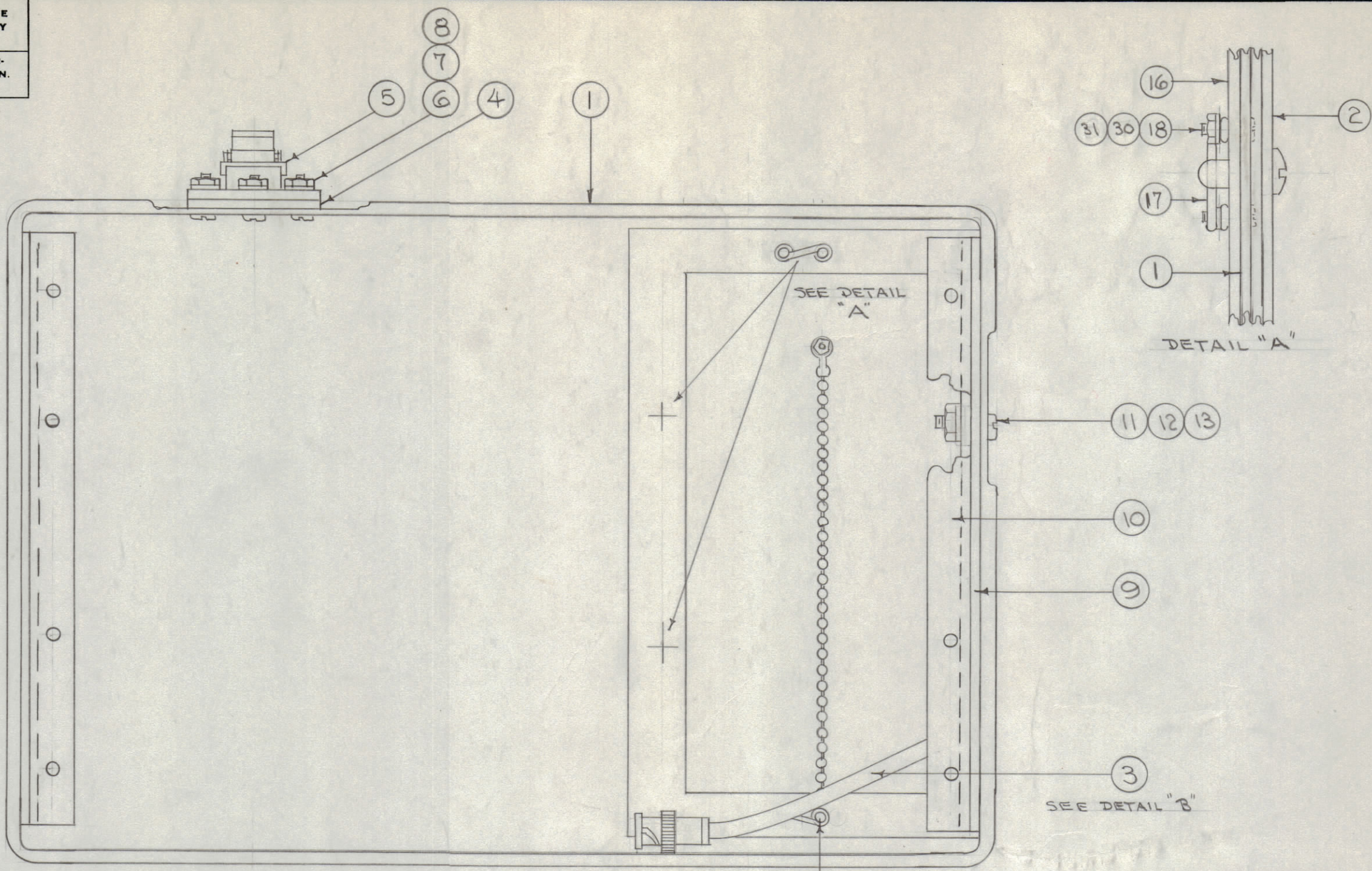


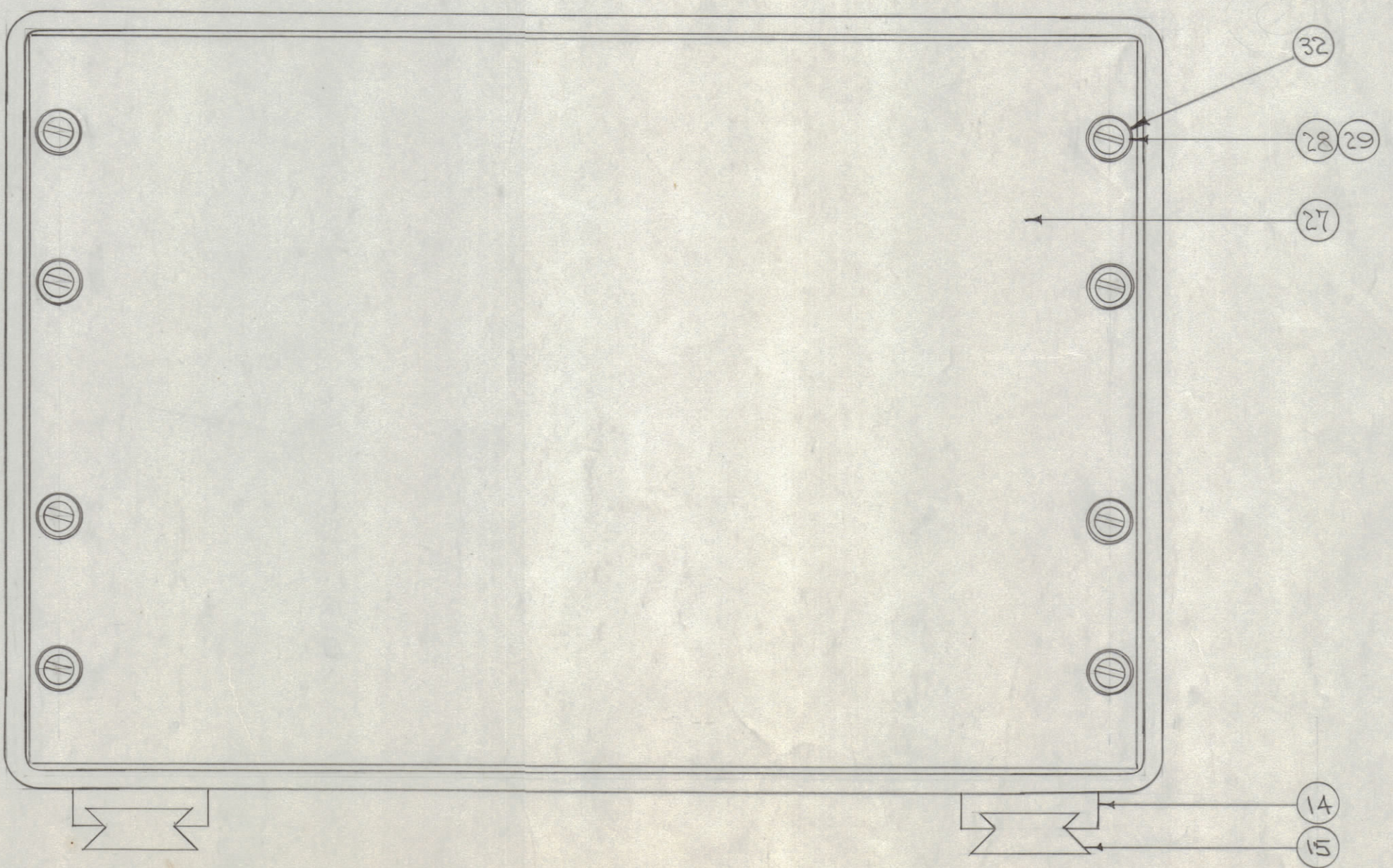
IF IT IS FOUND DESIRABLE TO CHANGE ANY TOLERANCE OR OTHER DETAIL SPECIFIED ON THIS DRAWING NOTIFY THE PURCHASER PROMPTLY.

MAXIMUM ALLOWABLE TOLERANCES HAVE BEEN DETERMINED AND DEVIATIONS WILL BE CAUSE FOR REJECTION. REMOVE ALL BURRS AND SHARP EDGES



1	33	A-842	COVER ASSY. (NOT SHOWN)
8	32	WA-102-9	WASHER, FIBER
12	31	NTH0348BNG	NUT, HEX
12	30	LWS03MRN	WASHER, LOCK
8	29	SC0P1032BN8	SCREW, MACHINE
8	28	WA-118-4	WASHER, CUP
1	27	A-808	FINAL ASSY., PMO-1
X	26	BS-100	SOLDER, SOFT
1	25	NTH0328N10	NUT, HEX
1	24	LWE06MRN	WASHER, LOCK
1	23	CU-102-2	CLAMP, G"TYPE
1	22	TE-104-2	TERMINAL, LOCKING

A-841 A



2	21	FW06MRN	WASHER, FLAT
1	20	SCBP0632BN8	SCREW, MACHINE
1	19	SCBP0348BNG	SCREW, MACHINE
11	18	SCBP0348BNA	" " "
6	17	FS-102-1	FASTENER, "S"TYPE
1	16	MS-564	PLATE, REAR DOOR
2	15	RY-108	BASE, RUBBER
2	14	WD-121	MTG. STRIP, BASE
8	13	NTH08328N10	NUT, HEX
8	12	LWE08MRN	WASHER, LOCK
8	11	SCBP08328N8	SCREW, MACHINE
2	10	PM-315	MTG. BRACKET
2	9	GA-131	GASKET, MTG. STRIP
24	8	NTH04408N6	NUT, HEX
24	7	LWS04MRN	WASHER, LOCK
24	6	SCBP04408N5	SCREW, MACHINE
4	5	CU-117	CLAMP, COVER
4	4	GA-130	GASKET, CLAMP
1	3	CA-221	ANTENNA CABLE
1	2	A-844	REAR DOOR ASSY.
1	1	A-837	CASE, SUB ASSY.

REQ.	ITEM	PART NO.	DESCRIPTION	SYMBOL
#	#	#	#	#
STOCK SIZE				
# #				
MATERIAL WEIGHT PER PC.				
#				
TYPE & TEMPER				
#				
HEAT TREAT. SPEC.				
#				
FINISH & SPEC. NO.				
#				

THE TECHNICAL MATERIEL CORP.
MAMARONECK, NEW YORK

FINAL ASSY.
C.P.M.O.

CDP.10-5-54

DRAWN: [Signature] ELEC. DES. APP. [Signature] MECH. DES. APP. [Signature]

CHECKED: [Signature] FINAL APPROVAL: [Signature]

A-841 A

1	CPMO	285	10-5-54
REQ PER UNIT	MODEL	PROJECT NO.	DATE
		ASS'Y. NO.	
			USED ON

A	REVISED PT. NOS ON DRS 6, 7, 8, 11, 12, 13, 19, 20, 21, 24, 25, 29, 30, 31	9/29/66	16937	JL	[Signature]	[Signature]	
ISSUE	ITEM	CHANGED FROM	DATE	CN. NO.	DRAFTS	CHECKER	ENG. APP.
TOLERANCES SCALE:							
ALL OTHERS	DEC. DIM. ±	DRILL, PUNCH, COMMERCIAL STOCK SIZES AND MANUFACTURERS TOLERANCES ARE NOT INCLUDED.					
	FRAC. DIM. ±						
	ANGULAR DIM. ±						