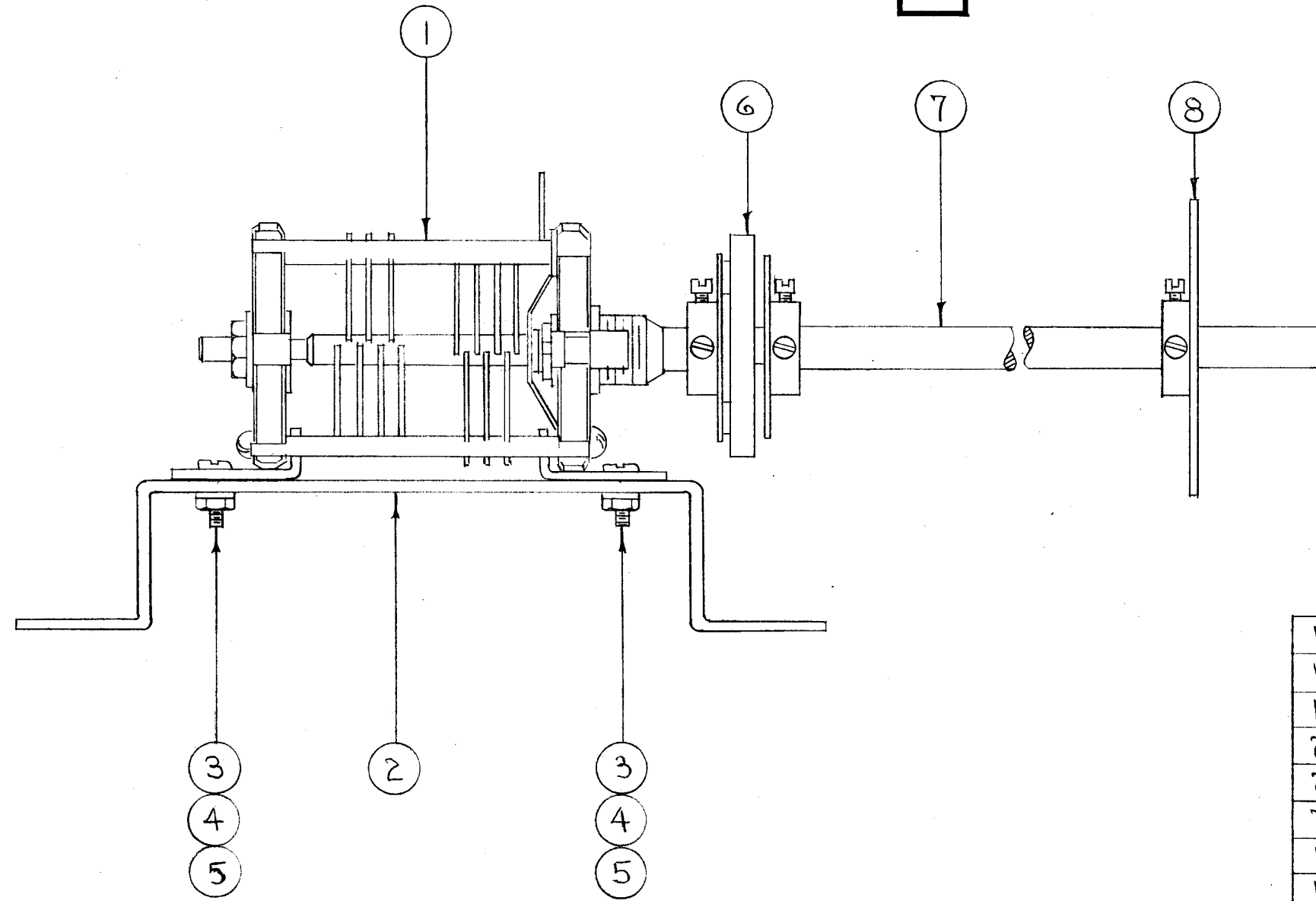


IF IT IS FOUND DESIRABLE TO CHANGE ANY TOLERANCE OR OTHER DETAIL SPECIFIED ON THIS DRAWING NOTIFY THE PURCHASER PROMPTLY.

MAXIMUM ALLOWABLE TOLERANCES HAVE BEEN DETERMINED AND DEVIATIONS WILL BE CAUSE FOR REJECTION. REMOVE ALL BURRS AND SHARP EDGES

A-679 B



1	8	MS-230-2	LOCKING DISC.	
1	7	PM691RF9.875P	ROD, COND. EXTENSION	
1	6	MC-104-2	COUPLING, FLEX.	
2	5	NTH0632BN8	NUT, HEX	
2	4	LWEO6MRN	WASHER, LOCK	
2	3	SCBP.0632BN5	SCREW, MACHINE	
1	2	MS-216	CONDENSER BRACKET	
1	1	CB-103-2	CAPACITOR, VARIABLE	C7

REQ.	ITEM	PART NO.	DESCRIPTION	SYMBOL
THE TECHNICAL MATERIEL CORP. MAMARONECK. NEW YORK				
CONDENSER/BRACKET ASSY.				
XFK				
C.D.D. 5-8-54			A. J. J.	WDE
DRAWN			ELEC. DES. APP.	MECH. DES. APP.
CHECKED			FINAL APPROVAL	
			A-679	B

B	ADD -2 TO ITS P/N. IT 7 WAS PX-124. CHG'D "C" TO "N" IT 4 & 5 P/N. IT 3 WAS SCBS0632BNS	11-11-66	17223	RME	JPB	WDE	
A	ITEMS 3, 4 & 5 WERE 0440	12-13-64	1	P.B.	JAB	WDE	
ISSUE	ITEM	CHANGED FROM	DATE	CN. NO.	DRAFTS	CHECKER	ENG. APP.

TOLERANCES		SCALE:
ALL OTHERS	DEC. DIM. ± FRAC. DIM. ± ANGULAR DIM. ±	DRILL, PUNCH, COMMERCIAL STOCK SIZES AND MANUFACTURERS TOLERANCES ARE NOT INCLUDED.

1	XFK	A-684 (Pg 3 of 3)	5-8-54	
REQ. PER UNIT	MODEL	PROJECT NO.	ASS'Y. NO.	DATE