

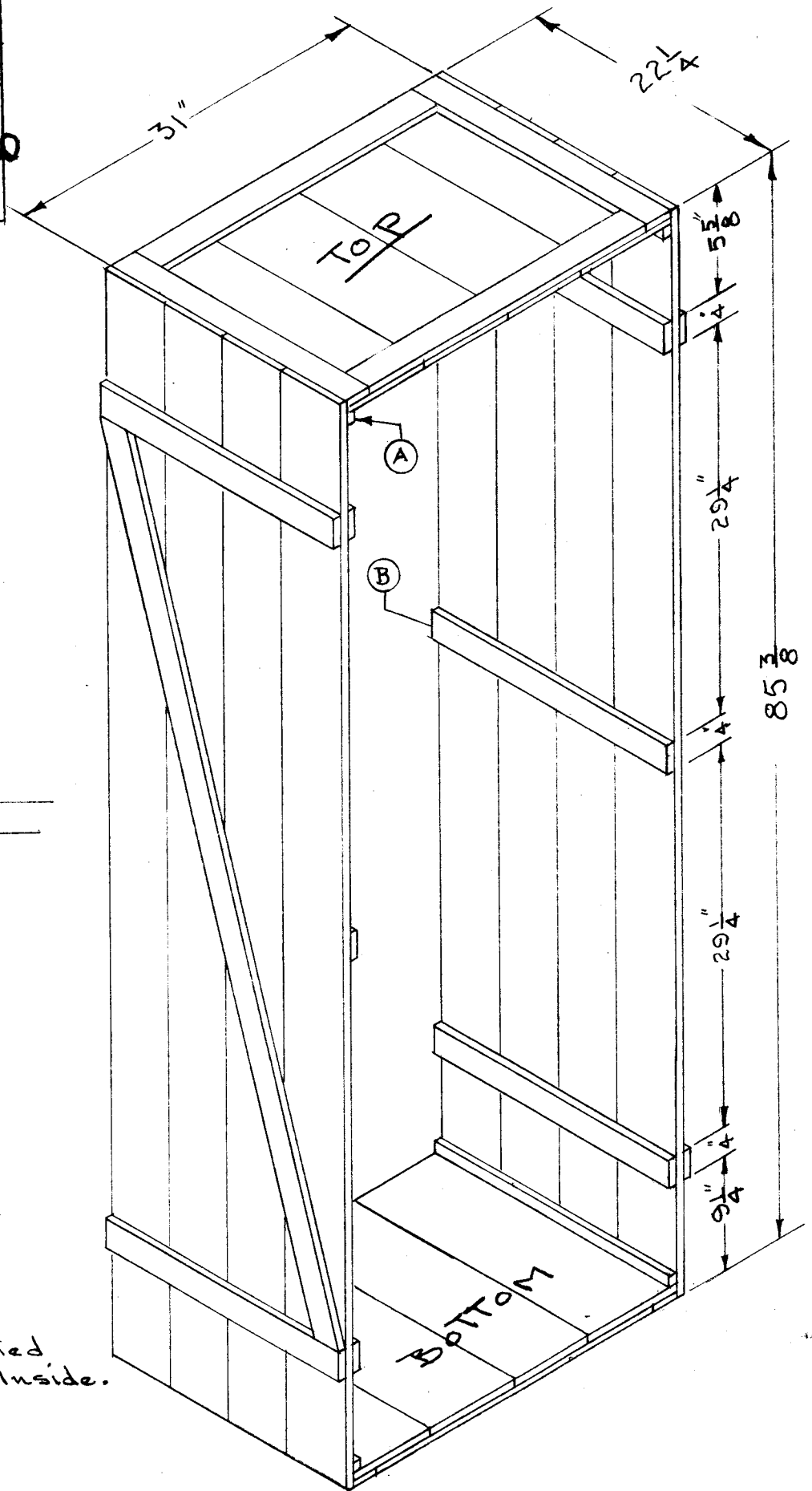
- 668

REVISIONS		
Description	Date	App
1/4 was 2 1/2		
3/8 was 89	12-29-51	MRO
3/8 was 9 1/2		
3/8 was 14		

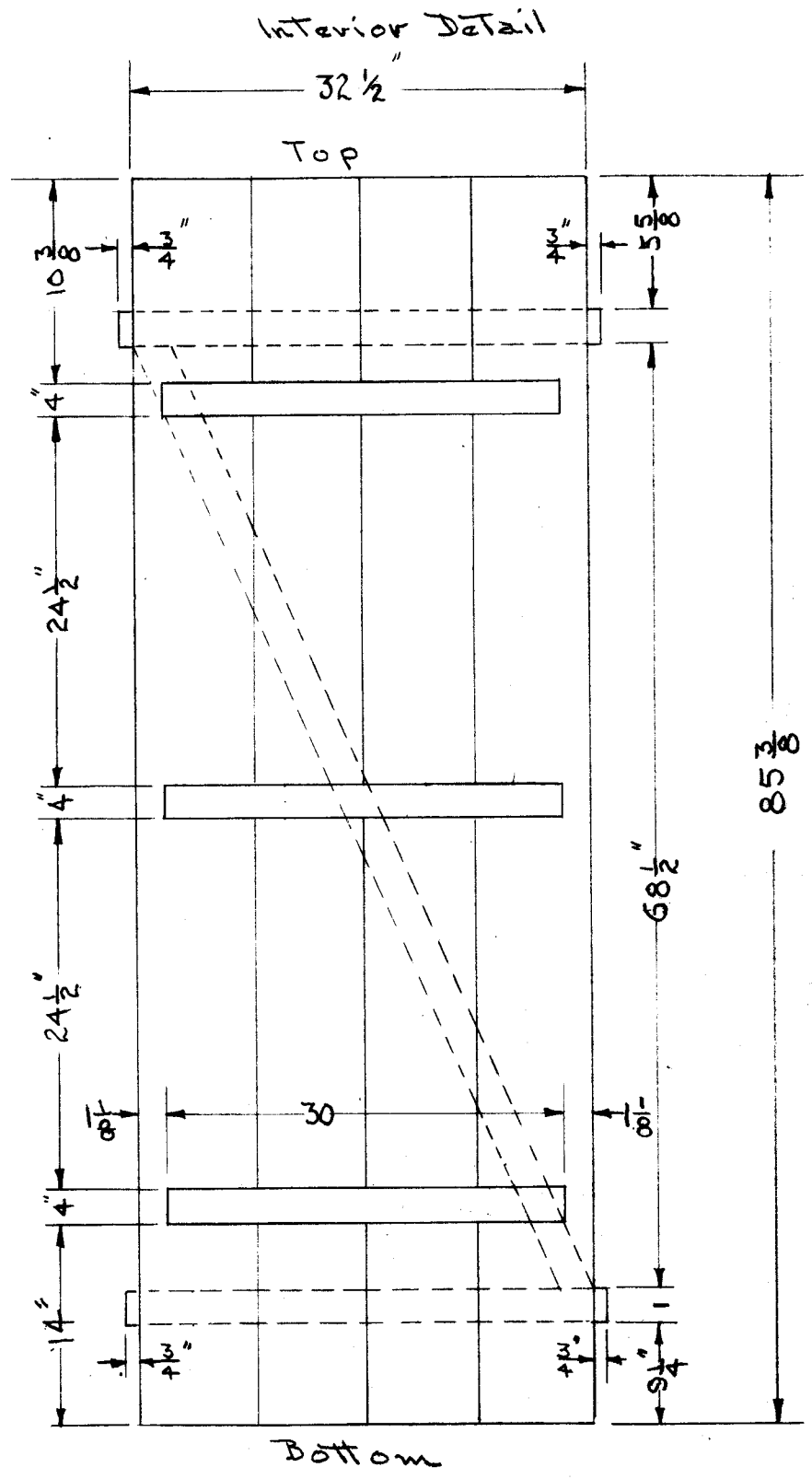
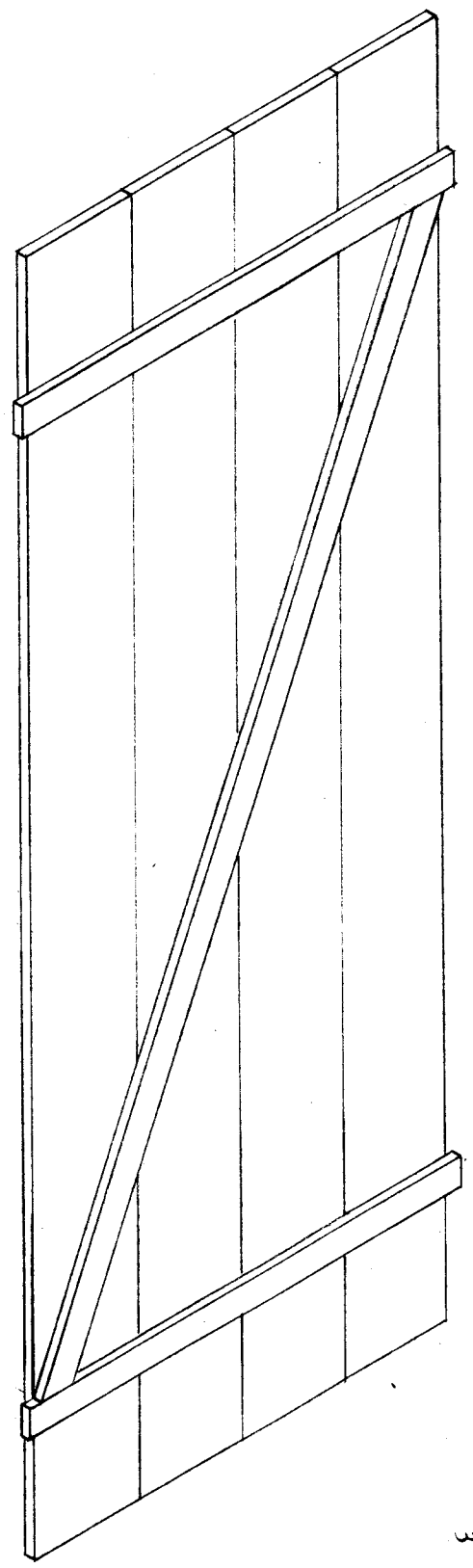
3/4 x 3/4 x 22 1/4.
3/4 x 4 x 22 1/4.

REMARKS
p "A" Must Be
Nailed To Sides

2: Cement Coated
Nails, Clinched Inside.



Details of Cover
2 Required



Material: # 3 Grade or Better Ponderosa Pine,
3/4" finished.

was BMS057
2/2/54

Must Be Supplied in Shook form.

Shipping Box for DDR-2 Rack	
Date: 10-24-51	Approved: <i>[Signature]</i>
Checked:	No. A-668