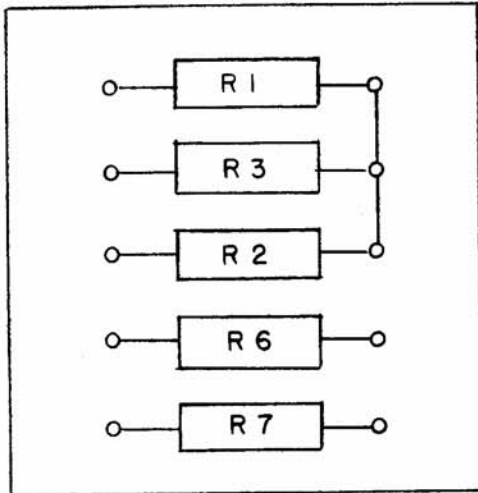


A-655



TB-1

**NOT TO BE RELEASED
W/O AUTHORIZATION**

AUTH. BY.....

DATE:.....

WAS AEM005 1/27/54

RESISTOR BOARD		
TONE TERMINAL RECEIVE		
MODEL TKM-RC		
THE TECHNICAL MATERIEL CORPORATION		
MAMARONECK, NEW YORK		
DATE	2-20-51	CHKD. <i>JRB</i>
DRAWN	<i>JAD</i>	APPD. <i>RM</i>
SHEET	OF	NO A-655