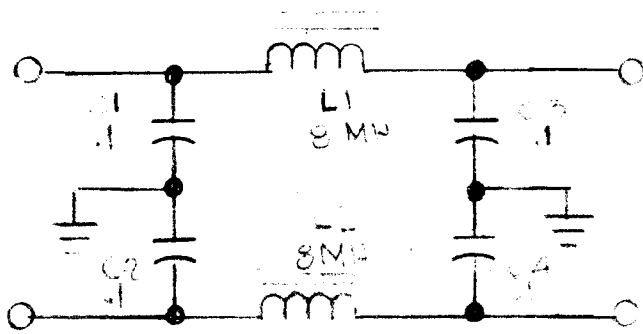
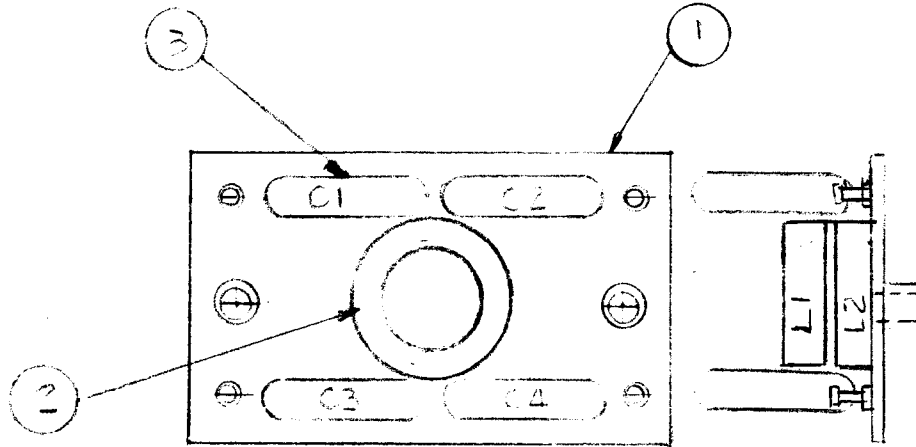


APPLICATION			REVISIONS							
QTY	MODEL USED ON	ASS'Y NO.	LTR	DESCRIPTION	DATE	E.M.N.NO	DRAFT	CHKD	APPD	



SCHEMATIC DRAWING

REQ'D	ITEM	PART NUMBER	DESCRIPTION	SYM.
1	1	PC 213	P.C. BOARD	
2	2	CL 503	COIL, RF	L1, L2
3	3	EC 100-1	CAPACITOR, FIXED	C1, C2, C3
4	4	BR 100	BRAZED SOFT	

UNLESS OTHERWISE SPECIFIED DIMENSIONS ARE IN INCHES AND INCLUDE CHEMICALLY APPLIED OR PLATED FINISHES

DECIMALS: .X ± .05, .XX ± .01, .XXX ± .005
 FRACTIONS: 1/64
 TOLS.: ANGLES 0°-30°

FINAL APPROVAL	DATE
MECH. DES.	DATE
ELECT. DES.	DATE
CHECKED	DATE
DRAWN G.D.L.	DATE

LIST OF MATERIAL

THE TECHNICAL MATERIEL CORP.
MAMARONECK, NEW YORK

LF LINE FILTER

NOTICE TO PERSONS RECEIVING THIS DRAWING
 THE TECHNICAL MATERIEL CORPORATION claims proprietary right in the material disclosed hereon. This drawing is issued in confidence for engineering information only and may not be reproduced or used to manufacture anything shown hereon without permission from THE TECHNICAL MATERIEL CORPORATION to the user. This drawing is loaned for mutual assistance and is subject to recall at any time.

SIZE A	CODE IDENT. NO. 82679	DWG NO. A5885	ISSUE
SCALE 1:1	SHEET		OF